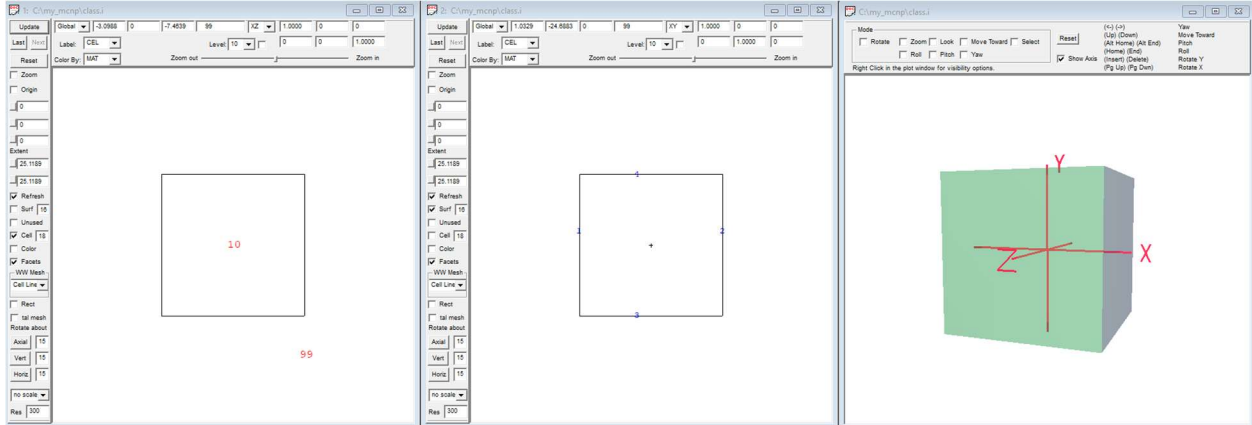


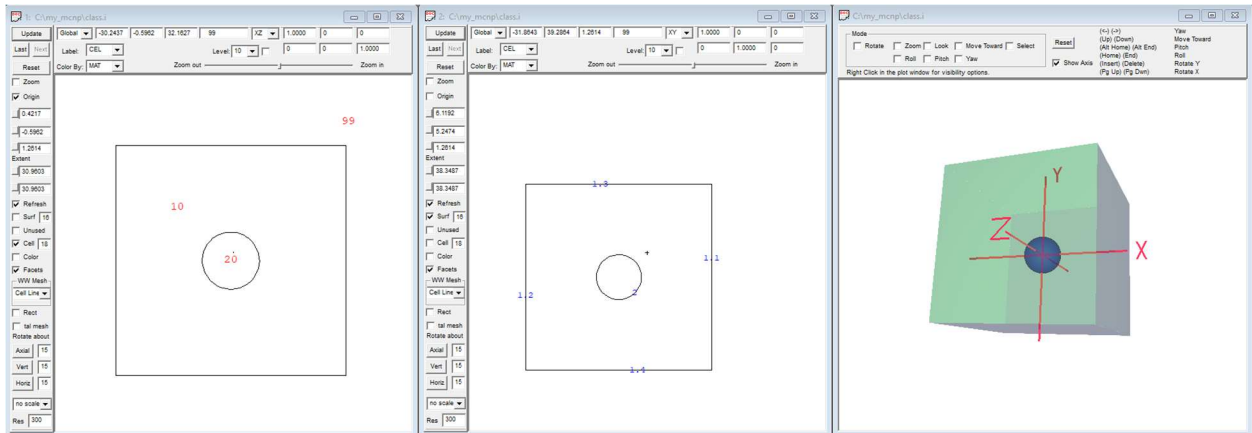
## Assignment 2

Use the MCNP manual to write the following surface and cell inputs:

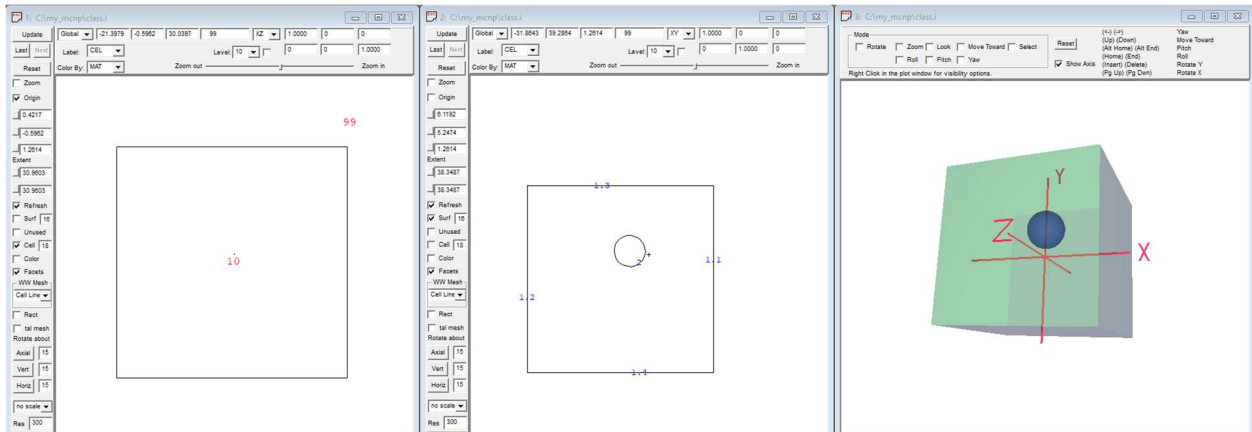
1.



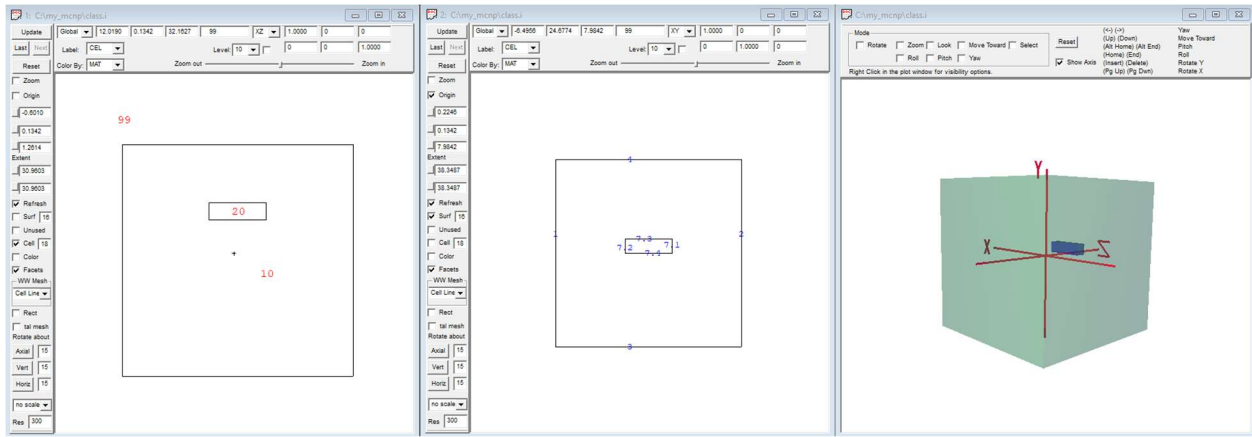
2.



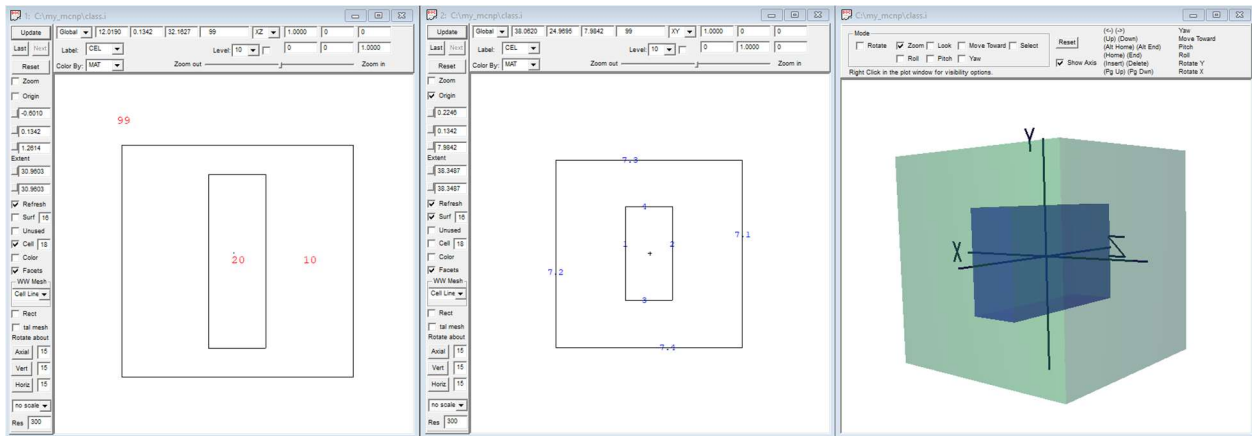
3.



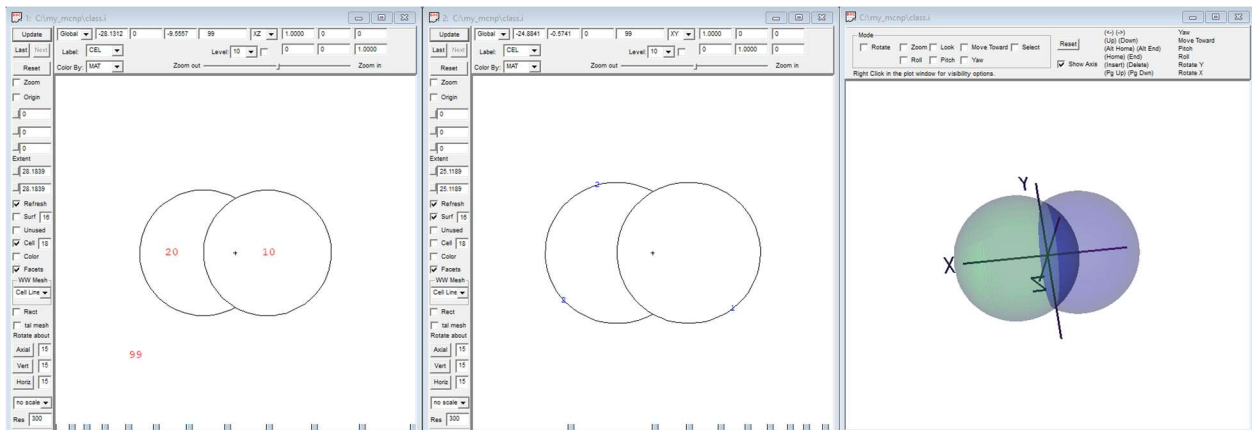
4.



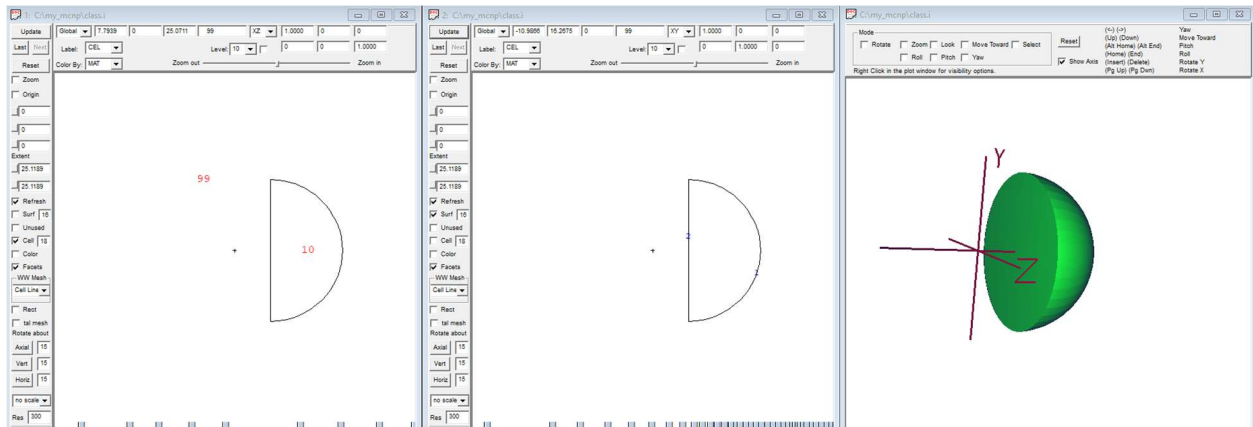
5.



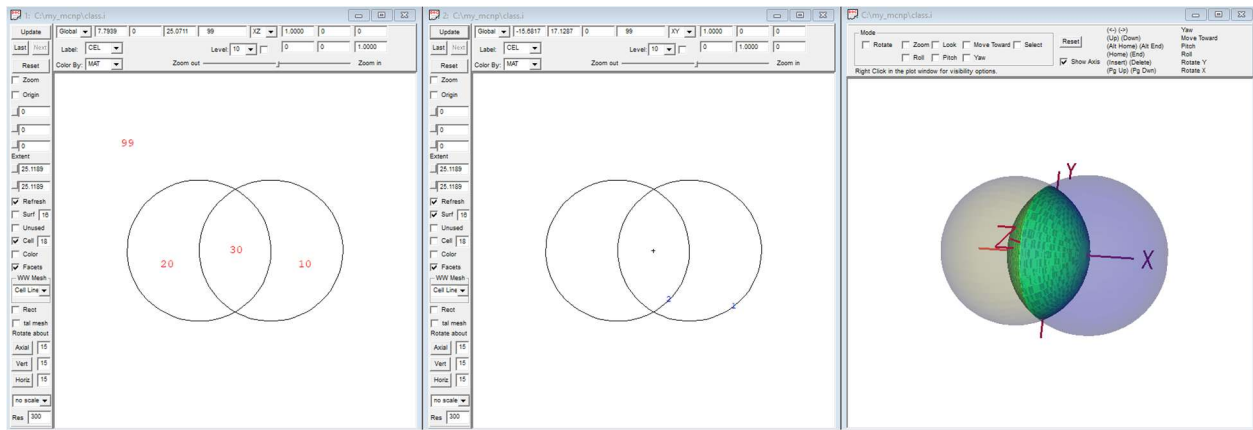
6.



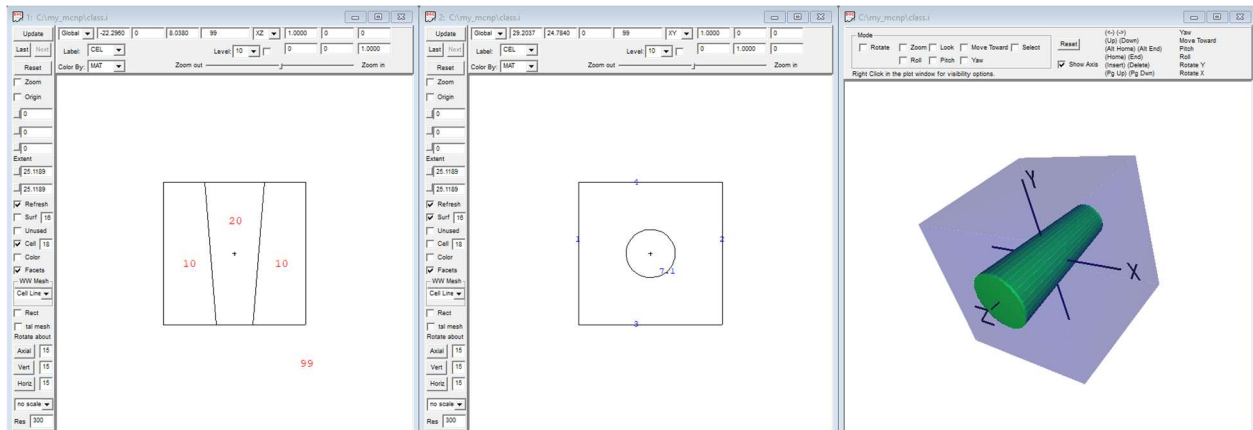
7.



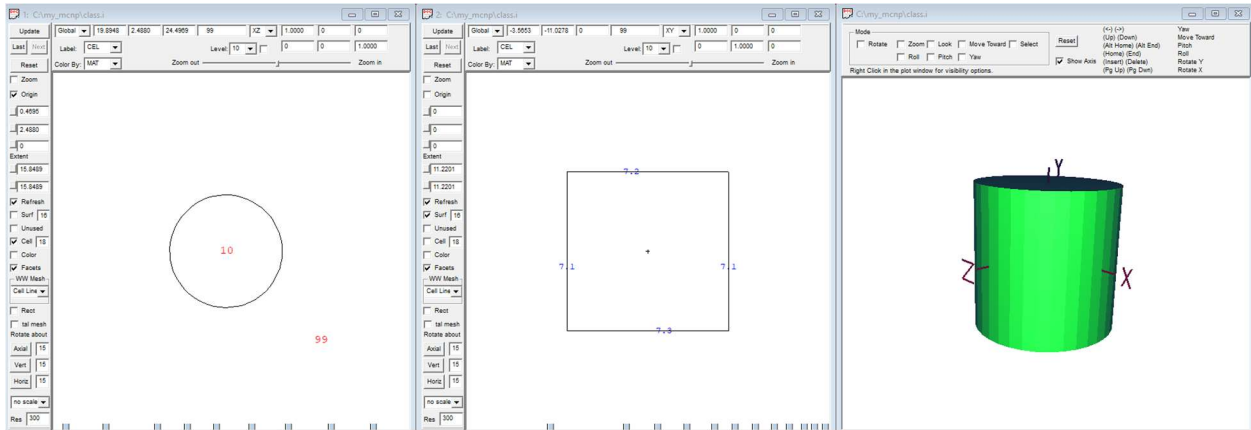
8.



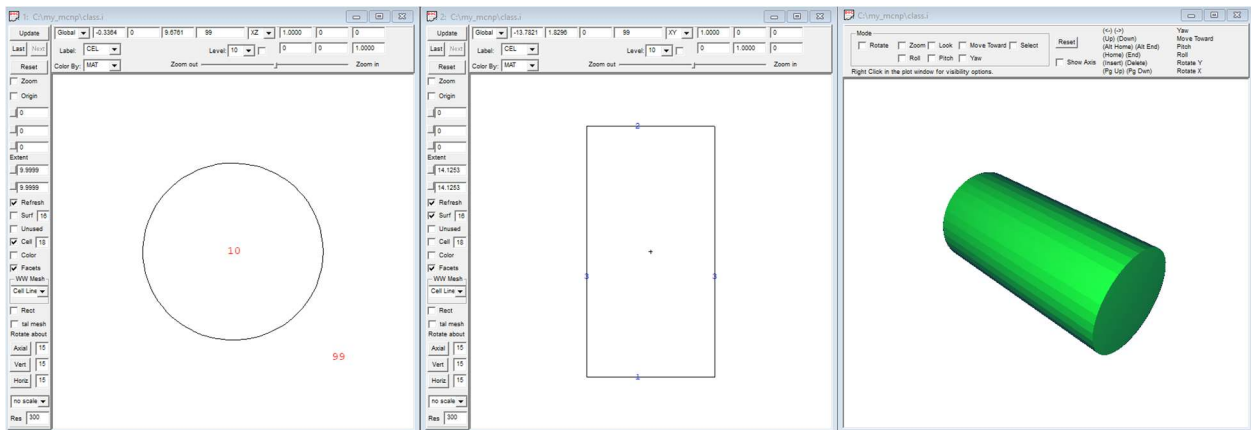
9.



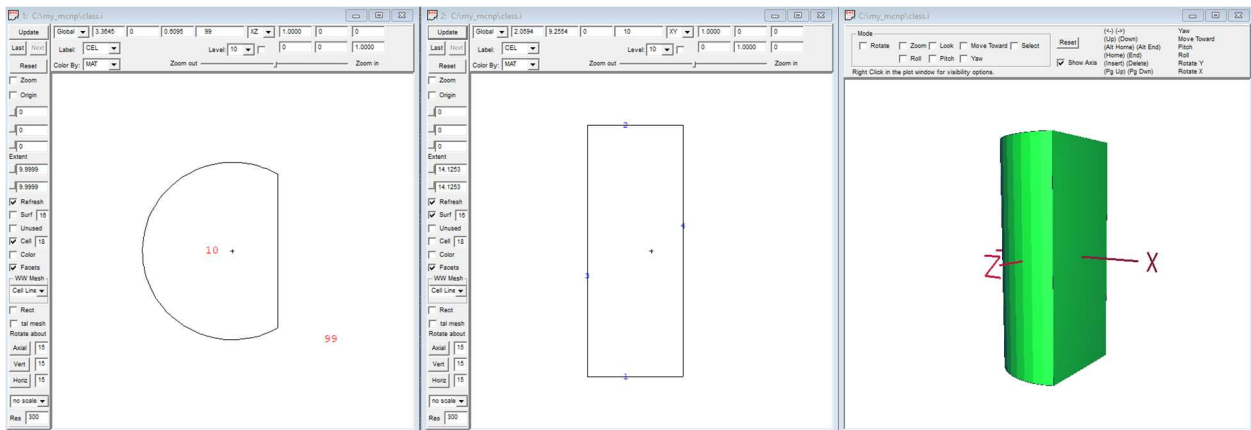
10.



11.



12.



13.

