
Calculation of Releases of Radioactive Materials in Gaseous and Liquid Effluents from Pressurized Water Reactors

PWR-GALE Code

Manuscript Completed: March 1985
Date Published: April 1985

T. Chandrasekaran, J. Y. Lee, C. A. Willis

**Division of Systems Integration
Office of Nuclear Reactor Regulation
U.S. Nuclear Regulatory Commission
Washington, D.C. 20555**



NRC FORM 335 (2-84) NRCM 1102, 3201, 3202	U.S. NUCLEAR REGULATORY COMMISSION	1. REPORT NUMBER (Assigned by TIDC, add Vol. No., if any)				
BIBLIOGRAPHIC DATA SHEET		NUREG-0017, Rev. 1				
SEE INSTRUCTIONS ON THE REVERSE		3. LEAVE BLANK				
2. TITLE AND SUBTITLE		4. DATE REPORT COMPLETED				
Calculation of Releases of Radioactive Materials in Gaseous and Liquid Effluents From Pressurized Water Reactors (PWR-GALE Code)		<table border="1" style="width: 100%;"> <tr> <td style="text-align: center;">MONTH</td> <td style="text-align: center;">YEAR</td> </tr> <tr> <td style="text-align: center;">March</td> <td style="text-align: center;">1985</td> </tr> </table>	MONTH	YEAR	March	1985
MONTH	YEAR					
March	1985					
5. AUTHOR(S)		6. DATE REPORT ISSUED				
T. Chandrasekaran, J.Y. Lee, C.A. Willis		<table border="1" style="width: 100%;"> <tr> <td style="text-align: center;">MONTH</td> <td style="text-align: center;">YEAR</td> </tr> <tr> <td style="text-align: center;">April</td> <td style="text-align: center;">1985</td> </tr> </table>	MONTH	YEAR	April	1985
MONTH	YEAR					
April	1985					
7. PERFORMING ORGANIZATION NAME AND MAILING ADDRESS (Include Zip Code)		8. PROJECT/TASK/WORK UNIT NUMBER				
Division of Systems Integration Office of Nuclear Reactor Regulation U.S. Nuclear Regulatory Commission Washington, DC 20555		9. FIN OR GRANT NUMBER				
10. SPONSORING ORGANIZATION NAME AND MAILING ADDRESS (Include Zip Code)		11a. TYPE OF REPORT				
Same as 7. above		b. PERIOD COVERED (Inclusive dates)				
12. SUPPLEMENTARY NOTES						
13. ABSTRACT (200 words or less)						
<p>This report revises the original issuance of NUREG-0017, "Calculation of Releases of Radioactive Materials in Gaseous and Liquid Effluents From Pressurized Water Reactors (PWR-GALE Code)" (April 1976), to incorporate more recent operating data now available as well as the results of a number of in-plant measurement programs at operating pressurized water reactors. The PWR-GALE Code is a computerized mathematical model for calculating the releases of radioactive material in gaseous and liquid effluents (i.e., the gaseous and liquid source terms). The U.S. Nuclear Regulatory Commission uses the PWR-GALE Code to determine conformance with the requirements of Appendix I to 10 CFR Part 50.</p>						
14. DOCUMENT ANALYSIS - a. KEYWORDS/DESCRIPTORS		15. AVAILABILITY STATEMENT				
Radioactive Effluent Radioactive Waste Radioactive Materials		Unlimited				
b. IDENTIFIERS/OPEN-ENDED TERMS		16. SECURITY CLASSIFICATION				
		<i>(This page)</i> Unclassified <i>(This report)</i>				
		Unclassified				
		17. NUMBER OF PAGES				
		18. PRICE				
*U.S. GOVERNMENT PRINTING OFFICE: 1985-461-721:20097						

ABSTRACT

This report revises the original issuance of NUREG-0017, "Calculation of Releases of Radioactive Materials in Gaseous and Liquid Effluents from Pressurized Water Reactors (PWR-GALE-Code)" (April 1976), to incorporate more recent operating data now available as well as the results of a number of in-plant measurement programs at operating pressurized water reactors. The PWR-GALE Code is a computerized mathematical model for calculating the releases of radioactive material in gaseous and liquid effluents (i.e., the gaseous and liquid source terms). The U.S. Nuclear Regulatory Commission uses the PWR-GALE Code to determine conformance with the requirements of Appendix I to 10 CFR Part 50.

TABLE OF CONTENTS

	<u>Page</u>
ABSTRACT	iii
ACKNOWLEDGEMENTS	xi
EXECUTIVE SUMMARY	xiii
 <u>CHAPTER 1. PWR-GALE CODE</u>	
1.1 Introduction	1-1
1.2 Definitions	1-3
1.3 Gaseous Source Terms	1-6
1.4 Liquid Source Terms	1-7
1.5 Instructions for Completing PWR-GALE Code Input Data Cards	1-8
1.5.1 Parameters Included in the PWR-GALE Code	1-8
1.5.2 Parameters Required for the PWR-GALE Code	1-13
 <u>CHAPTER 2. PRINCIPAL PARAMETERS USED IN PWR SOURCE TERM CALCULATIONS AND THEIR BASES</u>	
2.1 Introduction	2-1
2.2 Principal Parameters and Their Bases	2-1
2.2.1 Thermal Power Level	2-1
2.2.2 Plant Capacity Factor	2-1
2.2.3 Radionuclide Concentrations in the Primary and Secondary Coolant	2-2
2.2.4 Iodine Releases from Building Ventilation Systems	2-33
2.2.5 Radioactive Particulates Released in Gaseous Effluents	2-40
2.2.6 Noble Gas Releases from Building Ventilation Systems	2-42
2.2.7 Steam Generator Blowdown Flash Tank Vent	2-48
2.2.8 Iodine Releases from Main Condenser Air Ejector Exhaust	2-48
2.2.9 Containment Purge Frequency	2-51
2.2.10 Containment Internal Cleanup System	2-55
2.2.11 Radioiodine Removal Efficiencies for Charcoal Adsorbers and Particulate Removal Efficiencies for HEPA Filters	2-56
2.2.12 Waste Gas System Input Flow to Pressurized Storage Tanks	2-57
2.2.13 Holdup Times for Charcoal Delay System	2-60
2.2.14 Liquid Waste Inputs	2-61
2.2.15 Detergent Waste	2-61
2.2.16 Chemical Wastes from Regeneration of Condensate Demineralizers	2-68

	<u>Page</u>
2.2.17 Tritium Releases	2-68
2.2.18 Decontamination Factors for Demineralizers . . .	2-77
2.2.19 Decontamination Factors for Evaporators	2-79
2.2.20 Decontamination Factors for Liquid Radwaste Filters	2-80
2.2.21 Decontamination Factors for Reverse Osmosis . . .	2-80
2.2.22 Guideline for Calculating Liquid Waste Holdup Times	2-81
2.2.23 Adjustment to Liquid Radwaste Source Terms for Anticipated Operational Occurrences	2-86
2.2.24 Atmospheric Steam Dump	2-89
2.2.25 Carbon-14 Releases	2-90
2.2.26 Argon-41 Releases	2-93

CHAPTER 3. INPUT FORMAT, SAMPLE PROBLEM, AND FORTRAN LISTING
OF THE PWR-GALE CODE

3.1 Introduction	3-1
3.2 Input Data	3-1
3.2.1 Explanation of the Inputs for the Sample Problem .	3-1
3.2.2 Input Coding Sheets	3-5
3.3 Sample Problem -- Input and Output	3-5
3.4 Listing of PWR-GALE Code	3-5
3.4.1 Nuclear Data Library	3-5
3.4.2 FORTRAN Program Listing	3-15

CHAPTER 4. DATA FOR RADIOACTIVE SOURCE TERM CALCULATIONS
FOR PRESSURIZED WATER REACTORS

4.1 General	4-1
4.2 Primary System	4-1
4.3 Secondary System	4-1
4.4 Liquid Waste Processing Systems	4-2
4.5 Gaseous Waste Processing System	4-3
4.6 Ventilation and Exhaust Systems	4-3

APPENDIX A

Liquid Source Term Calculational Procedures for Regenerant Wastes from Demineralizers Other Than Condensate Demineralizers	A-1
--	-----

REFERENCES

R-1

LIST OF TABLES

<u>Table</u>		<u>Page</u>
1-1	Radioiodine Releases from Building Ventilation Systems Prior to Treatment	1-9
1-2	Radioactive Particulate Releases from Building Ventilation Systems Prior to Treatment	1-10
1-3	PWR Liquid Wastes	1-18
1-4	Decontamination Factors for PWR Liquid Waste Treatment Systems	1-21
1-5	Assigned Removal Efficiencies for Charcoal Adsorbers for Radioiodine Removal	1-29
2-1	Plant Capacity Factors at Operating PWR's	2-3
2-2	Numerical Values - Concentrations in Principal Fluid Streams of the Reference PWR with U-Tube Steam Generators	2-4
2-3	Numerical Values - Concentrations in Principal Fluid Streams of the Reference PWR with Once-Through Steam Generators	2-6
2-4	Parameters Used to Describe the Reference Pressurized Water Reactor with U-Tube Steam Generators	2-8
2-5	Parameters Used to Describe the Reference Pressurized Water Reactor with Once-Through Steam Generators	2-9
2-6	Values Used in Determining Adjustment Factors for Pressurized Water Reactors	2-10
2-7	Adjustment Factors for PWR's with U-Tube Steam Generators	2-12
2-8	Adjustment Factors for PWR's with Once-Through Steam Generators	2-13
2-9	Summary of Iodine-131 and Iodine-133 Primary Coolant Concentrations in PWR's	2-21
2-10	Summary of Radionuclide Primary Coolant Concentrations in PWR's	2-22
2-11	Monthly Average Primary/Secondary Leakage	2-26
2-12	Moisture Carryover in Recirculating U-Tube Steam Generators	2-32

<u>Table</u>	<u>Page</u>
2-13	Annual Iodine Normalized Releases from Containment Ventilation Systems 2-34
2-14	Annual Iodine Normalized Releases from Auxiliary Bldg. Ventilation Systems 2-35
2-15	Annual Iodine Normalized Releases from Refueling Area Ventilation Systems 2-36
2-16	Annual Iodine Normalized Releases from Turbine Building Ventilation Systems 2-37
2-17	Particulate Release Rate for Gaseous Effluents 2-42
2-18	Measured Release Upstream of HEPA Filters - Containment 2-43
2-19	Measured Releases Upstream of HEPA Filters - Auxiliary Building 2-44
2-20	Measured Releases Upstream of HEPA Filters - Fuel Pool Area 2-45
2-21	Measured Releases Upstream Filters - Waste Gas System 2-46
2-22	Annual Iodine Normalized Releases from Main Condenser Air Ejector Exhaust 2-49
2-23	PWR Containment Purging and Venting Experience 2-52
2-24	Waste Gas System Input Flow to Pressurized Storage Tanks and PWR's Without Recombiners 2-58
2-25	Waste Gas System Input Flow to Pressurized Storage Tanks for PWR's with Recombiners 2-59
2-26	PWR Liquid Wastes 2-65
2-27	Calculated Annual Release of Radioactive Material in Untreated Detergent Waste 2-67
2-28	Radionuclide Distribution of Detergent Waste 2-69
2-29	Tritium Release Data from Operating PWR's with Zircaloy-Clad Fuels 2-71
2-30	Tritium Release Rate from Operating PWR's as a Function of Number of Years of Operation 2-75

<u>Table</u>	<u>Page</u>
2-31	Tritium Release Rate from Operating PWR's - Percent of Total Tritium Released in Liquid Effluents 2-76
2-32	Distribution of Tritium Release in Gaseous Effluents . . . 2-78
2-33	Reverse Osmosis Decontamination Factors, Ginna Station 2-82
2-34	Reverse Osmosis Decontamination Factors, Point Beach 2-83
2-35	Reverse Osmosis Decontamination Factors, H. B. Robinson No. 2 Station 2-84
2-36	Expected Reverse Osmosis Decontamination Factors for Specific Nuclides 2-85
2-37	Frequency and Extent of Unplanned Liquid Radwaste Releases from Operating Plants 2-88
2-38	Carbon-14 Release Data from Operating PWR's 2-91
2-39	Distribution of Carbon-14 Released in Gaseous Effluents 2-92
2-40	Summary of Argon-41 Releases for Operating PWR's for 1973-1978 2-94

LIST OF FIGURES

<u>Figure</u>		<u>Page</u>
2-1	Removal Paths for Pressurized Water Reactor with U-Tube Steam Generators	2-14
2-2	Removal Paths for Pressurized Water Reactor with Once-Through Steam Generators	2-15
2-3	Krypton and Xenon K Values as a Function of Reciprocal Temperature	2-62
2-4	Effect of Moisture Content on the Dynamic Adsorption Coefficient	2-63
2-5	Charcoal Moisture as a Function of Relative Humidity . .	2-64
3-1	Input Coding Sheets for Sample Problem	3-6
3-2	Printout of Input and Output for the Sample Problem . . .	3-8
3-3	Program Listing for Gaseous Determination	3-16
3-4	Program Listing for Liquid Determination	3-26

ACKNOWLEDGMENTS

Many individuals contributed to the preparation of Revision 1 of this document. In particular, R. L. Bangart and F. P. Cardile of the Nuclear Regulatory Commission, and A. E. Refre of the Philippine Atomic Energy Commission were the principal contributors. J. W. Mandler and F. Y. Tsang of EG&G Idaho edited this revision and have incorporated the results of a number of in-plant measurement programs at operating pressurized water reactors under an INEL Technical Assistance contract to the Division of Systems Integration, U. S. Nuclear Regulatory Commission (FIN A-6460). The Revision 0 of this document was prepared by L. G. Bell, M. J. Bell, R. R. Bellamy, J. S. Boegli, W. C. Burke, F. P. Cardile, J. T. Collins, J. Y. Lee, P. G. Stoddart, W. D. Travers, and R. A. Weller of the Nuclear Regulatory Commission.

EXECUTIVE SUMMARY

The average quantity of radioactive material released to the environment from a nuclear power reactor during normal operation including anticipated operational occurrences is called the "source term,"* since it is the source or initial number used in calculating the environmental impact of radioactive releases. The PWR-GALE (Pressurized Water Reactor - Gaseous and Liquid Effluents) Code is a computerized mathematical model for calculating the releases of radioactive material in gaseous and liquid effluents (i.e., the gaseous and liquid source terms) from pressurized water reactors. The calculations are based on data generated from operating reactors, field and laboratory tests, and plant-specific design considerations incorporated to reduce the quantity of radioactive materials that may be released to the environment during normal operation, including anticipated operational occurrences.

The U.S. Nuclear Regulatory Commission uses the PWR-GALE Code to determine conformance with the requirements of Appendix I to 10 CFR Part 50. The first issue of this NUREG report was published in April 1976. In order to use the best available data for improving the calculational models used by the Commission staff to determine conformance with Appendix I to 10 CFR Part 50, Revision 1 is being issued to update NUREG-0017. This revision incorporates more recent operation data now available and also incorporates the results of a number of in-plant measurement programs at operating pressurized water reactors.

Chapter 1 of this report gives a step-by-step procedure for using the PWR-GALE Code along with a description of the parameters which have been built into the Code for use with all PWR source term calculations. These parameters, which apply generically to all PWR's, have been incorporated into the Code to eliminate the need for their entry on input data cards. Other parameters are required to be entered on input cards used by the Code. Explanations of the data require, along with acceptable means for calculating such data, are given for each input data card.

Descriptions of the principal parameters used in source term calculations and explanations of the bases for each parameter are given in Chapter 2. The parameters have been derived from reactor operating experience where data were available. Where operating data were inconclusive or not available, information was drawn from laboratory and field tests and from engineering judgment. The bases for the source term parameters explain the reasons for choosing the numerical values listed. A list of references used in developing the parameters is also included. The source term parameters used are believed to provide a realistic assessment of reactor and radwaste system operation.

* "Source term" as discussed in this report differs from "accident source term," which deals with potential releases resulting from nuclear reactor accidents.

Chapter 3 contains sample input data together with an explanation of the input to orient the user in making the required entries. Also included is a listing of the input data for a sample problem, a discussion of the nuclear data library used, and a FORTRAN listing of the PWR-GALE Code.

Chapter 4 lists the information needed to generate source terms for PWR's. The information is provided by the applicant and is consistent with the contents of the Safety Analysis Report (ER) of the proposed PWR. This information constitutes the basic data required in calculating the releases of radioactive material in liquid and gaseous effluents.

CHAPTER 1. PWR-GALE CODE

1.1 INTRODUCTION

In promulgating Appendix I to 10 CFR Part 50, the U. S. Nuclear Regulatory Commission indicated its desire to use the best available data for improving the calculational models used by the Commission Staff to determine conformance with the requirements of the regulation. The first issue of this NUREG Report was published in April 1976. Revision 1 is being issued to update NUREG-0017 by incorporating more recent operating data now available and also by incorporating the results of a number of in-plant measurement programs at operating pressurized water reactors (PWR's).

The PWR-GALE (Pressurized Water Reactor - Gaseous and Liquid Effluents) Code is a computerized mathematical model for calculating the releases of radioactive material in gaseous and liquid effluents from pressurized water reactors. The calculations are based on data generated from operating reactors, field and laboratory tests, and plant-specific design considerations incorporated to reduce the quantity of radioactive materials that may be released to the environment during normal operation, including anticipated operational occurrences.

The average quantity of radioactive material released to the environment from a nuclear power reactor during normal operation is called the "source term" since it is the source or initial number used in calculating the environmental impact of radioactive releases. The calculations performed by the PWR-GALE Code are based on (1) American Nuclear Society (ANS) 18.1 Working Group recommendations (Ref. 1) for adjustment factors, (2) the release and transport mechanisms that result in the appearance of radioactive material in liquid and gaseous waste streams, (3) plant-specific design features used to reduce the quantities of radioactive materials ultimately released to the environment, and (4) information received on the operation of nuclear power plants.

In a PWR, primary coolant water circulates through the reactor core where it removes the heat from the fuel elements. In the steam generators, heat from the pressurized primary coolant water is transferred to the secondary coolant water to form steam. The steam expands through the turbine and is then condensed and returned to the steam generators. The primary coolant water flows back to the reactor core. The principal mechanisms that affect the concentrations of radioactive materials in the primary coolant are: (1) fission product leakage to the coolant from defects in the fuel cladding and fission product generation in tramp uranium, (2) corrosion products activated in the core, (3) radioactivity removed in the reactor coolant treatment systems, and (4) activity removed because of primary coolant leakage. These mechanisms are described briefly in the following paragraphs.

The primary coolant is continuously purified by passing a side stream through filters and demineralizers in the reactor coolant treatment systems (RCTS). It is necessary to maintain the purity of the primary coolant to prevent fouling of heat transfer surfaces and to keep releases to the environment as low as is reasonably achievable. Chemicals are added to the primary coolant to inhibit corrosion and/or improve fuel economy. Lithium hydroxide is added for pH control to reduce corrosion.

Water decomposes into oxygen and hydrogen as a result of radiolysis. The control of oxygen concentration in the primary coolant is important for corrosion control. Hydrogen, added to the primary coolant as dissolved free hydrogen, tends to force the net reaction toward the recombination of hydrogen and oxygen to water at an overall rate sufficient to maintain low primary coolant oxygen concentrations.

Boron is added to the primary coolant as a neutron absorber (shim control). As the fuel cycle progresses, boron is removed from the primary coolant through the RCTS loop (shim bleed). The shim bleed is processed through an evaporator, and the boron in the evaporator bottoms is either reused or packaged as solid waste. The evaporator distillate may be recycled to the reactor coolant system as makeup water or discharged to the environment.

Radioactive gases stripped from the primary coolant by degassification are normally collected in pressurized storage tanks and held for radioactive decay prior to recycle or release to the environment. Alternative treatment methods include charcoal delay systems and cryogenic distillation.

Because of leakage through valve stems and pump shaft seals, some coolant escapes into the containment and the auxiliary buildings. A portion of the leakage evaporates, thus contributing to the gaseous source term, and a fraction remains as liquid, becoming part of the liquid source term. The relative amount of leakage entering the gaseous and liquid phases is dependent upon the temperature and pressure at the point where the leakage occurs. Most of the noble gases enter the gas phase, whereas iodine partitions into both phases.

Leakage of primary coolant into the secondary coolant in the steam generator is the only source of radioactivity in the secondary coolant system. Water or steam leakage from the secondary system provides significant inputs to the liquid and gaseous radwaste treatment systems. Steam leakage may be significant to the gaseous source term since the radioactivity released remains in the gas phase.

In a recirculating U-tube steam generator, the nonvolatile radionuclides leaking from the primary coolant concentrate in the liquid phase in the steam generator. The degree of concentration is controlled by the steam generator blowdown rate and condensate demineralizer flow rate.

Since there is no liquid reservoir in a once-through steam generator, the primary coolant leakage boils to steam when it enters the secondary

side of the steam generator. Secondary coolant purity is maintained by a condensate demineralizer system and there is no steam generator blowdown. The concentration of radioactivity in the secondary coolant is controlled by the condensate demineralizer flow rate.

Sources of radioactive wastes from the secondary system are the offgases from the turbine condenser, vent gases from the turbine gland seal, liquid and vent gases from the steam generator blowdown, and liquid and gaseous leaks into the turbine building. Liquid wastes also originate from the chemical regeneration of condensate demineralizers in feedwater/condensate systems.

In this chapter, a step-by-step procedure for using the PWR-GALE Code is given along with a description of the parameters which have been built into the Code for use with all PWR source term calculations. These parameters, which apply generically to all PWR's, have been incorporated into the Code to eliminate the need for their entry on input data cards. Other parameters are required to be entered on input data cards used by the Code. Explanations of the data required, along with acceptable means for calculating such data, are given for each input data card. Chapter 2 gives the principal source term parameters developed for use with the PWR-GALE Code and explains the bases for each parameter. Chapter 3 contains a sample data input sheet and a Fortran IV listing of the PWR-GALE Code. Chapter 4 lists the information needed to generate source terms that an applicant is required to submit with the application.

1.2 DEFINITIONS

The following definitions apply to terms used in this report:

Activation Gases: The gases (including oxygen, nitrogen, and argon) that become radioactive as a result of irradiation in the core.

Anticipated Operational Occurrences: Unplanned releases of radioactive materials from miscellaneous actions such as equipment failure, operator error, administrative error, that are not of consequence to be considered an accident.

Chemical Waste Steam: Normally liquids that contain relatively high concentrations of decontaminants, regenerants, or chemical compounds other than detergents. These liquids originate primarily from resin regenerant and laboratory wastes.

Clean Waste System: Normally tritiated, nonaerated, low-conductivity liquids consisting primarily of liquid waste collected from equipment leaks and drains and certain valve and pump seal leakoffs. These liquids originate from systems containing primary coolant and are normally reused as primary coolant makeup water.

Decontamination Factor (DF): The ratio of the initial amount of a nuclide in a stream (specified in terms of concentration or activity of radioactive materials) to the final amount of that nuclide in a stream following treatment by a given process.

Detergent Waste Stream: Liquids that contain detergent, soaps, or similar organic materials. These liquids consist principally of laundry, personnel shower, and equipment decontamination wastes that normally have a low radioactivity content.

Dirty Waste Stream (Floor Drains): Normally nontritiated, aerated, high-conductivity, non-primary-coolant quality liquids collected from building sumps and floor and sample station drains. These liquids are not readily amenable for reuse as primary coolant makeup water.

Effective Full Power Days: The number of days a plant would have to operate 100% licensed power to produce the integrated thermal power output during a calendar year, i.e.,

$$\text{Effective Full Power Days} = \frac{\text{Integrated Thermal Power}}{\text{Licensed Power Level}} = \frac{\sum_i P_i T_i}{P_{\text{total}}}$$

where

P_i is the i th power level, in Mwt;

P_{total} is the licensed power level, in Mwt; and

T_i is the time of operation at power level P_i , in days.

Fission Product: A nuclide produced either by fission or by subsequent radioactive decay or neutron activation of the nuclides formed in the fission process.

Gaseous Effluent Stream: Processed gaseous wastes containing radioactive materials resulting from the operation of a nuclear power reactor.

Liquid Effluent Stream: Processed liquid wastes containing radioactive materials resulting from the operation of a nuclear power reactor.

Partition Coefficient (PC): The ratio of the concentration of a nuclide in the gas phase to the concentration of a nuclide in the liquid phase when the liquid and gas are at equilibrium.

Partition Factor (PF): The ratio of the quantity of a nuclide in the gas phase to the total quantity in both the liquid and gas phases when the liquid and gas are at equilibrium.

Plant Capacity Factor: The ratio of the average net power to the rated power capacity.

Primary Coolant: The fluid circulated through the reactor to remove heat. The primary coolant activity is considered to be constant over a range of power levels, coolant and cleanup flows, and coolant volumes. Radionuclide concentrations given in this NUREG are based on a recent compilation of available operating data. Therefore, the concentration values in NUREG-0017, Rev. 1 differ from the ANSI N237 values (Ref. 1). Provisions are made in the PWR-GALE Code, in accordance with the recommendations of the standard, for adjusting coolant concentrations should the plant be designed to parameters that are outside the ranges considered in the standard. The radionuclide concentrations used are considered to be representative of measured values based on the available operating data. The radionuclides are divided into the following categories:

1. Noble gases
2. Halogens (Br, I)
3. Cs, Rb
4. Water activation products
5. Tritium
6. Other nuclides (as listed in Tables 2-2 and 2-3 of Chapter 2 of this document)

Radioactive Halogens: The isotopes of fluorine, chlorine, bromine, and iodine. The radioactive isotopes of iodine are the key isotopes considered in dose calculations.

Radioactive Noble Gases: The radioactive isotopes of helium, neon, argon, krypton, xenon, and radon, which are characterized by their chemical inactivity. The radioactive isotopes of krypton and xenon are the key elements considered in dose calculations.

Radioactive Release Rate: The average quantity of radioactive material released to the environment from a nuclear power reactor during normal operation, including anticipated operational occurrences.

Secondary Coolant: The coolant converted to steam by the primary coolant in a heat exchanger (steam generator) to power the turbine. The radionuclide concentrations in the secondary coolant are obtained as discussed above in the definition of primary coolant.

Source Term: The calculated average quantity of radioactive material released to the environment from a nuclear power reactor during normal operation, including anticipated operational occurrences. The source term is the isotopic distribution of radioactive materials used in evaluating the impact of radioactive releases on the environment.

Steam Generator Blowdown: Liquid removed from a steam generator in order to maintain proper water chemistry.

Tramp Uranium: The uranium present on the cladding of a fuel rod.

Turbine Building Floor Drains: Liquids of high conductivity and low-level radioactivity primarily resulting from secondary system leakage, steam trap drains, sampling system drainage, and maintenance and waste drains.

1.3 GASEOUS SOURCE TERMS

The following sources are considered in calculating the releases of radioactive materials (noble gases, radioactive particulates, carbon-14, tritium, argon-41, and iodine) in gaseous effluents from normal operation, including anticipated operational occurrences:

1. Waste gas processing system;
2. Steam generator blowdown system;
3. Condenser air ejector exhaust;
4. Containment purge exhaust;
5. Ventilation exhaust air from the auxiliary, and turbine buildings, and the spent fuel pool area; and
6. Steam leakage from the secondary system.

The releases of radioactive materials in gaseous effluents from the following sources are calculated to be less than 1 Ci/yr of noble gases and 10^{-4} Ci/yr of iodine-131. Therefore, the following releases are considered negligible:

1. Steam releases due to steam dumps to the atmosphere and low-power physics testing and
2. Ventilation air from buildings not covered in 5. above.

The calculational model considers inputs to the waste gas processing system from both continuous stripping of the primary coolant during normal operation and from degassing the primary coolant for two cold shutdowns per year. For plants equipped with steam generator blowdown systems, the model considers iodine present in gases leaving the system

vent. The PWR-GALE Code calculates the release rates of noble gases and iodine to building atmospheres based on coolant leakage rates to buildings. Radioiodine releases are related to the iodine-131 coolant concentrations for the PWR being evaluated. Particulate release rates are based on measurements at operating PWR's.

Chapter 2 provides iodine and particulate decontamination factors for removal equipment and parameters for calculating holdup times for noble gases and for calculating tritium, argon-41 and carbon-14 releases.

1.4 LIQUID SOURCE TERMS

The following sources are considered in calculating the release of radioactive materials in liquid effluents from normal operation, including anticipated operational occurrences:

1. Processed water generated from the boron recovery system to maintain plant water balance or for tritium control;
2. Processed liquid waste discharged from the dirty waste or miscellaneous waste systems;
3. Processed liquid waste discharged from the steam generator blowdown treatment system;
4. Processed liquid waste discharged from the chemical waste and condensate demineralizer regeneration system;
5. Liquid waste discharged from the turbine building floor drain sumps; and
6. Detergent waste.

The radioactivity input to the liquid radwaste treatment system is based on the flow rates of the liquid waste streams and their radioactivity levels expressed as a fraction of the primary coolant activity (PCA). The PCA is based on the recommendations of the American National Standard (ANSI N237) Source Term Specification (Ref. 1), with the changes as noted in Section 1.2 under the Primary Coolant definition.

Radionuclide removal by the liquid radwaste treatment system is based on the following parameters:

1. Decay during collection and processing and
2. Removal by the proposed treatment systems, e.g., filtration, ion exchange, evaporation, reverse osmosis, and plateout.

For PWR's using a deep-bed condensate demineralizer, the inventory of radionuclides collected on the demineralizer resins is calculated by considering the flow rate of condensate at main steam activity that

is processed through the demineralizers and radionuclide removal using the decontamination factors given in Chapter 2. The activity on the condensate demineralizer resins will also include the steam generator blowdown activity if the blowdown is recycled to the condensate demineralizers. The radioactivity content of the demineralizer regenerant solution is obtained by considering that all the radioactivity is removed from the resins at the interval dictated by the regeneration frequency.

Methods for calculating collection and processing times and the decontamination factors for radwaste treatment equipment are given in this chapter. The liquid radioactive source terms are adjusted to compensate for equipment downtime and anticipated operational occurrences.

For plants using an onsite laundry, a standard detergent waste source term, adjusted for the treatment provided, is added to the adjusted source term.

1.5 INSTRUCTIONS FOR COMPLETING PWR-GALE CODE INPUT DATA CARDS

1.5.1 PARAMETERS INCLUDED IN THE PWR-GALE CODE

The parameters listed below are built into the PWR-GALE Code since they are generally applicable to all PWR source term calculations and do not require entry on input data cards.

1.5.1.1 The Plant Capacity Factor

0.80 (292 effective full power days per year).

1.5.1.2 Radionuclide Concentrations in the Primary Coolant, Secondary Coolant, and Main Steam

See Section 2.2.3 of Chapter 2 of this document.

1.5.1.3 Radioiodine Releases from Building Ventilation Systems Prior to Treatment

See Table 1-1. For a discussion of the normalization techniques see Section 2.2.4.

1.5.1.4 Radioactive Particulate Releases from Building Ventilation Systems Prior to Treatment

See Table 1-2.

1.5.1.5 Noble Gas Releases from Building Ventilation Systems

Noble Gas Releases from the containment building are based on a leakage rate of 3%/day of primary coolant noble gas inventory. Releases from the auxiliary building are based on 160 lb/day primary coolant leakage. Releases from the turbine building are based on 1700 lb/hr steam leakage.

TABLE 1-1^{†*}

RADIOIODINE RELEASES FROM BUILDING VENTILATION
SYSTEMS PRIOR TO TREATMENT
(Ci/yr/ μ Ci/g)

	<u>Containment Building</u>	<u>Auxiliary Building**</u>	<u>Turbine Building ***</u>
Annual Normalized* Iodine Release Rate			
Power Operation	$8.0 \times 10^{-4}\dagger\dagger$	0.72^\dagger	3.8×10^3
Refueling/Maintenance Outages	0.32^{**}	2.59	4.2×10^2

†* The values in this table come from Tables 2-13 through 2-16.

* The normalized release rate, during different modes of operation, represents the effective leak rate for radioiodine. It is the combination of the reactor water leakage rate into the building and the partitioning of the radioiodine between the water phase in the leakage and the gas phase where it is measured. For the turbine building the effective leak rate must consider the carryover for radioiodine from water to steam in the steam generator.

** To obtain the actual iodine release from these buildings in Ci/yr, multiply the normalized release by the iodine coolant concentration in μ Ci/g.

*** To obtain the actual iodine release from the turbine building in Ci/yr, multiply the normalized release by the secondary coolant concentration in μ Ci/g and by the partition coefficient (NS) from Table 2-6.

† Includes contribution from the fuel pool area.

†† This release rate is expressed in %/day of leakage of primary coolant inventory of iodine and represents the effective leak rate for radioiodine. It is the combination of the reactor water leakage rate into the buildings, and the partitioning of the radioiodine between the water phase in the leakage and the gas phase where it is measured. In order to obtain the releases in curies/year during power operations from the containment building of a particular PWR, the normalized leak rates in Table 1-1, are multiplied in the PWR-GALE Code by the iodine concentration in the reactor coolant for that particular PWR, and then this leak rate is considered along with the containment purging method for that particular PWR.

TABLE 1-2

RADIOACTIVE PARTICULATE RELEASES FROM BUILDING VENTILATION SYSTEMS
PRIOR TO TREATMENT*
(Ci/yr)/Unit

<u>Nuclide</u>	<u>Containment</u>	<u>Auxiliary Building</u>	<u>Fuel Pool Area</u>	<u>Waste Gas System</u>
Cr-51	9.2(-3) [†]	3.2(-4)	1.8(-4)	1.4(-5)
Mn-54	5.3(-3)	7.8(-5)	3.0(-4)	2.1(-6)
Co-57	8.2(-4)	NA	NA	NA
Co-58	2.5(-2)	1.9(-3)	2.1(-2)	8.7(-6)
Co-60	2.6(-3)	5.1(-4)	8.2(-3)	1.4(-5)
Fe-59	2.7(-3)	5.0(-5)	NA	1.8(-6)
Sr-89	1.3(-2)	7.5(-4)	2.1(-3)	4.4(-5)
Sr-90	5.2(-3)	2.9(-4)	8.0(-4)	1.7(-5)
Zr-95	NA	1.0(-3)	3.6(-6)	4.8(-6)
Nb-95	1.8(-3)	3.0(-5)	2.4(-3)	3.7(-6)
Ru-103	1.6(-3)	2.3(-5)	3.8(-5)	3.2(-6)
Ru-106	NA	6.0(-6)	6.9(-5)	2.7(-6)
Sb-125	NA	3.9(-6)	5.7(-5)	NA
Cs-134	2.5(-3)	5.4(-4)	1.7(-3)	3.3(-5)
Cs-136	3.2(-3)	4.8(-5)	NA	5.3(-6)
Cs-137	5.5(-3)	7.2(-4)	2.7(-3)	7.7(-5)
Ba-140	NA	4.0(-4)	NA	2.3(-5)
Ce-141	1.3(-3)	2.6(-5)	4.4(-7)	2.2(-6)

NA - No release observed from this source. Release assumed to be less than 1.0% of total.

† 9.2(-3) = 9.2×10^{-3} .

* The values in this table come from Tables 2-17 through 2-21.

1.5.1.6 Containment Building Purge Frequency

Two purges at cold shutdown per year plus a continuous purge specified by the applicant in his containment design.

1.5.1.7 Primary System Volumes Degassed per Year

Two coolant volumes per year for cold shutdowns plus volumes degassed due to continuous stripping.

1.5.1.8 Steam Generator Partition Coefficient (PC)

<u>Once-through</u>	<u>PC</u>
Iodine	1.0
Nonvolatiles	1.0
 <u>Recirculation U-Tube</u>	
Iodine	0.01
Nonvolatiles	0.005

1.5.1.9 Radioiodine Releases from the Main Condenser Air Ejector Exhaust Prior to Treatment

The normalized release rate of radioiodine from the main condenser air ejector exhaust prior to treatment is 1.7×10^3 Ci/yr/ μ Ci/g. The normalized release rate represents the effective release rate for radioiodine. It is the combination of the steam flow to the main condenser, the partitioning of radioiodine between the main condenser and the air ejector exhaust where it is measured, and the partition coefficient for radioiodine from water to steam in the steam generator. To obtain the actual iodine release from the main condenser air ejector exhaust in Ci/yr, multiply the normalized release by the secondary coolant concentration in μ Ci/g and by the iodine partition coefficient (NS) from Table 2-6.

1.5.1.10 Containment Internal Cleanup System

For systems using an internal cleanup system, the PWR-GALE Code calculates the iodine concentration in the containment atmosphere based on 16 hours of system operation prior to purging, an iodine removal efficiency for the charcoal adsorbers corresponding to Table 1-5, a particulate DF of 100 for HEPA filters and an internal mixing efficiency of 70%.

1.5.1.11 Detergent Wastes

The radionuclides listed in Table 2-27 of Chapter 2 are assumed to be released unless treatment is provided or laundry is not processed on site.

1.5.1.12 Tritium Releases

The tritium releases through the combined liquid and vapor pathways are 0.4 Ci/yr per Mwt. The quantity of tritium released through the liquid pathway is based on the calculated volume of liquid released, excluding secondary system wastes, with a primary coolant tritium concentration of 1.0 μ Ci/ml up to a maximum of 0.9 of the total quantity of tritium calculated to be available for release. It is assumed that the remainder of the tritium produced is released as a gas from building ventilation exhaust systems.

1.5.1.13 Argon-41 Releases

The annual quantity of argon-41 released from a pressurized water reactor is 34 Ci/yr. The argon-41 is released to the environment via the containment vent when the containment is vented or purged.

1.5.1.14 Carbon-14 Releases

The annual quantity of carbon-14 released is 7.3 Ci/yr, of which the releases from the containment, auxiliary building and waste gas system are 1.6, 4.5 and 1.2 Ci/yr, respectively.

1.5.1.15 Decontamination Factors for Condensate Demineralizer

<u>Demineralizer</u>	<u>Anion</u>	<u>Cs, Rb</u>	<u>Other Nuclides</u>
Deep Bed	10	2	10
Powdex	10	2	10

Note: For a system using filter/demineralizers (Powdex), a zero is entered for a regeneration frequency as explained later in Section 1.5.2.10.

1.5.1.16 Primary Coolant Purification System Demineralizers

<u>Demineralizer</u>	<u>Anion</u>	<u>Cs, Rb</u>	<u>Other Nuclides</u>
Mixed Bed	100	2	50
Cation	1	10	10

1.5.1.17 Releases of Radioactive Material in Liquid Waste from the Turbine Building Floor Drain System

7200 gal/day at main steam activity.

1.5.1.18 Regeneration of Condensate Demineralizers

Flow rates and concentrations of radioactive materials routed to the liquid radwaste treatment system from the chemical regeneration of the condensate demineralizers are based on the following parameters:

1. Liquid flow to the demineralizer is based on the radioactivity of the main steam and the fraction of radioactivity which does not bypass the condensate demineralizer if there is pumped forward flow. The steam generator blowdown radioactivity is added to the condensate radioactivity if the blowdown is processed through the condensate demineralizer.
2. All radionuclides removed from the secondary coolant by the demineralizer resins are removed from the resins during chemical regeneration. The radioactivity in the regenerant wastes is adjusted for radionuclide decay during demineralizer operation.

1.5.1.19 Adjustment to Liquid Radwaste Source Terms for Anticipated Operational Occurrences

1. The calculated source term is increased by 0.16 Ci/yr per reactor using the same isotopic distribution as for the calculated source term to account for anticipated occurrences such as operator errors resulting in unplanned releases.
2. Evaporators are assumed to be unavailable for two consecutive days per week for maintenance. If a two-day holdup capacity or an alternate evaporator is available, no adjustment is needed. If less than a two-day capacity is available, the waste excess is assumed to be handled as follows:
 - a. Clean or Dirty Waste - Processed through an alternative system (if available) using a discharge fraction consistent with the lower purity system.
 - b. Chemical Waste - Discharged to the environment to the extent holdup capacity or an alternative evaporator is not available.

1.5.2 PARAMETERS REQUIRED FOR THE PWR-GALE CODE

Complete the cards designated in the sections below by "(SAR/ER)" from information given in the Safety Analysis and Environmental Reports. Complete the remaining cards (i.e., those not designated below as "(SAR/ER)" cards), using the principal source term parameters specified below and discussed in Chapter 2 of this document.

1.5.2.1 Card 1: Name of Reactor (SAR/ER)

Enter in spaces 33-60 the name of the reactor.

Enter in spaces 78-80 the type of reactor, i.e., PWR.

1.5.2.2 Card 2: Thermal Power Level (SAR/ER)

Enter in spaces 73-80 the maximum thermal power level (in MWt) evaluated for safety considerations in the Safety Analysis Report.

1.5.2.3 Card 3: Mass of Coolant in Primary System (SAR/ER)

Enter in spaces 73-80 the mass of coolant (in 10^3 lb) in the primary system at operating temperature and pressure.

1.5.2.4 Card 4: Primary System Letdown Rate (SAR/ER)

Enter in spaces 73-80 the average letdown rate (gal/min) from the primary system to the purification demineralizers.

1.5.2.5 Card 5: Letdown Cation Demineralizer Flow Rate (SAR/ER)

Enter in spaces 73-80 the annual average flow rate (gal/min) through the cation demineralizers for the control of cesium in the primary coolant. The average flow rate is determined by multiplying the average letdown rate (value entered on Card 4) by the fraction of time the cation demineralizers are in service to obtain the average cation demineralizer flow rate.

1.5.2.6 Card 6: Number of Steam Generators (SAR/ER)

Enter in spaces 73-80 the number of steam generators.

1.5.2.7 Card 7: Total Steam Flow (SAR/ER)

Enter in spaces 73-80 the total steam flow (in 10^6 lb/hr) for all steam generators.

1.5.2.8 Card 8: Mass of Liquid in Each Steam Generator (SAR/ER)

Enter in spaces 73-80 the mass of liquid (in 10^3 lb) in each steam generator.

1.5.2.9 Card 9: Steam Generator Blowdown Rate and Blowdown Treatment Method (SAR/ER)

Enter in spaces 37-44 the steam generator blowdown rate as given in the applicants SAR or ER.

Enter total blowdown rate in thousands of lb/hr in spaces 37-44. For a once-through steam generator, leave spaces 37-44 blank.

Describe the Blowdown Treatment Method as follows:

1. Enter 0 in space 80 if the blowdown is recycled to the condensate system after treatment in the blowdown system whether or not there are condensate demineralizers.
2. Enter 1 in space 80 if the steam generator blowdown is recycled directly to condensate system demineralizers without prior treatment in the blowdown system.

3. Enter 2 in space 80 if the steam generator blowdown is not recycled to the condensate system.

If the plant has once-through steam generators, leave space 80 blank.

1.5.2.10 Card 10: Condensate Demineralizer Regeneration Time

For deep-bed condensate demineralizers which do not use ultrasonic resin cleaner, use a 1.2-day regeneration frequency. Multiply the frequency by the number of demineralizers and enter the calculated number of days in spaces 73-80; for deep-bed condensate demineralizers which use ultrasonic resin cleaning, use an 8-day regeneration frequency. For filter/demineralizers (Powdex) or if condensate demineralizers are not used, enter zeros in spaces 73-80.

1.5.2.11 Card 11: Fraction of Feedwater Through Condensate Demineralizer (SAR/ER)

Enter in spaces 73-80 the fraction of feedwater to the steam generator processed through the condensate demineralizers. If condensate demineralizers are not used, enter 0.0 in spaces 73-80.

1.5.2.12 Cards 12-29: Liquid Radwaste Treatment System Input Parameters

Six liquid radwaste inlet streams are considered in the PWR-GALE Code:

1. Shim Bleed, Cards 12-14.
2. Equipment Drain Waste, Cards 15-17.
3. Clean Waste, Cards 18-20.
4. Dirty Waste, Cards 21-23.
5. Blowdown Waste, Cards 24-26.
6. Regenerant Wastes, Cards 27-29.

Three input data cards are used to define the major parameters for each of the six waste streams. Essentially the same information is needed on the three input data cards used for each of the six waste streams. The instructions given in this section are applicable to all six waste streams with the following exception: The inlet waste activity is not entered for Cards 12, 24, and 27 for the shim bleed, blowdown wastes, or regenerant wastes since that activity for these wastes is calculated by the PWR-GALE Code.

Cards 12-14 are used only for the shim bleed stream. For reactor designs that combine the shim bleed with other reactor grade wastes prior to processing, the other wastes are entered as equipment drain wastes on Cards 15-17.

The entries required on the first card (12, 15, 18, 21, 24, and 27) for each of the six waste streams, respectively, considered in the PWR-GALE Code are outlined below and described in more detail in Section 1.5.2.15.1.

1. Enter in spaces 17-39 the name of the waste stream (Card 24 spaces 17-44).
2. Enter in spaces 42-49 the flow rate (in gal/day) of the inlet stream (except on Cards 24 and 27).
3. Enter in spaces 57-61 the activity of the inlet stream expressed as a fraction of primary coolant activity (PCA) (except on Cards 12, 24 and 27).

The second card (13, 16, 19, 22, 25, and 28) for each waste stream contains the overall system decontamination factors for the three categories of radionuclides, as follows:

1. Enter in spaces 21-28 the DF for iodine.
2. Enter in spaces 34-41 the DF for cesium and rubidium.
3. Enter in spaces 47-54 the DF for other nuclides.

The following entries are required on the third card (14, 17, 20, 23, 26, and 29) for each waste stream:

1. Enter in spaces 28-33 waste collection time (in days) prior to processing.
2. Enter in spaces 48-53 waste processing and discharge times (in days).
3. Enter in spaces 72-77 the average fraction of wastes to be discharged after processing.

Cards 24-26 are for waste inputs due to steam generator blowdown.

1. Card 24
 - a. For recirculating U-tube steam generator systems, enter the fraction of the blowdown stream processed in spaces 73-80. The PWR-GALE Code will calculate releases based on steam generator blowdown wastes.
 - b. For once-through steam generator systems, leave spaces 73-80 blank.
2. Card 25
 - a. If the steam generator blowdown is not recycled to the condensate system, enter blowdown system DF's as explained for Card 13.

- b. If the steam generator blowdown is recycled directly to the condensate system demineralizers without prior treatment in the blowdown system, enter DF of 1.0 for iodine in spaces 21-28, DF of 1.0 for cesium and rubidium in spaces 34-41, and DF of 1.0 for other nuclides in spaces 47-54.
- c. If the steam generator blowdown is recycled to the condensate system demineralizers after treatment in the blowdown system, enter blowdown system DF's as explained for Card 13.

3. Card 26

Complete Card 26 as explained for Card 14.

Cards 27-29 are for waste inputs due to regenerant wastes.

1. Card 27

- a. For recirculating U-tube steam generator systems that do not utilize condensate demineralizers in the secondary system, leave spaces 73-80 blank.
- b. For once-through steam generator systems and for recirculating U-tube steam generator systems that utilize condensate demineralizers in the secondary system, enter the regeneration solution waste flow (gal/day) in spaces 73-80. The inlet waste activity is not needed since the activity is calculated by the PWR-GALE Code.

2. Cards 28 and 29

Complete Cards 28 and 29 as explained for Cards 13 and 14.

The following sections explain in more detail the use of the parameters in this report and the information given in the SAR/ER to make the data entries on Cards 12-92 listed above.

1.5.2.12.1 Liquid Waste Flow Rates and Activities (Cards 12, 15, 18, 21, 24 and 27)

Flow rates and activity are calculated, using the waste volumes and activities given in Table 1-3. To the input flow rates given in the table, add expected flows and activities more specific to the plant design as given in the SAR/ER. With the exception of the shim bleed, the individual streams are combined based on the radwaste treatment system described in the SAR/ER.

Waste streams processed with the shim bleed are entered as equipment drain wastes on Cards 15-17. Input activities are based on the weighted average activity of the composite stream entering the waste collection

TABLE 1-3
PWR LIQUID WASTES

EXPECTED DAILY AVERAGE INPUT FLOW RATE (in Gal/day)

Type of treatment of blowdown recycled to secondary system (U-tube steam generator plants) or type of treatment of condensate (once-through steam generator plants)

SOURCE	Type of treatment of blowdown recycled to secondary system (U-tube steam generator plants) or type of treatment of condensate (once-through steam generator plants)			Plant with blowdown treatment. Product not recycled to condenser or secondary coolant system	FRACTION OF PRIMARY COOLANT ACTIVITY (PCA)
	Deep-bed cond. demineralizers with ultrasonic resin cleaner	Deep-bed cond. demineralizers without ultrasonic resin cleaner	Filter-demineralizer		
<u>1. REACTOR CONTAINMENT</u>					
1-18 a. Primary coolant pump seal leakage	20	20	20	20	0.1
b. Primary coolant leakage, miscellaneous sources	10	10	10	10	1.67*
c. Primary coolant equipment drains	500	500	500	500	0.001
<u>2. PRIMARY COOLANT SYSTEMS (OUTSIDE OF CONTAINMENT)</u>					
a. Primary coolant system equipment drains	80	80	80	80	1.0
b. Spent fuel pit liner drains	700	700	700	700	0.001
c. Primary coolant sampling system drains	200	200	200	200	0.05
d. Auxiliary building floor drains	200	200	200	200	0.1

TABLE 1-3 (Continued)

3. SECONDARY COOLANT SYSTEMS

a. Secondary coolant sampling system drains	1400	1400	1400	1400	10^{-4}
b. Condensate demineralizer rinse and transfer solutions	3000	12000	-	-	10^{-8}
c. Condensate demineralizer regenerant solutions	850	3400	-	-	Calculated in GALE Code
d. Ultrasonic resin cleaner solutions	15000	-	-	-	10^{-6}
e. Condensate filter-demineralizer backwash	-	-	8100	-	2×10^{-6}
f. Steam generator blowdown	-	-	-	Plant dependent**	Plant dependent**
g. Turbine building floor drains	7200	7200	7200	7200	Calculated in GALE Code

4. DETERGENT AND DECONTAMINATION SYSTEMS

a. On-site laundry facility	300	300	300	300	See Table 2-26
b. Hot showers	Negligible	Negligible	Negligible	Negligible	-
c. Hand wash sink drains	200	200	200	200	See Table 2-26
d. Equipment and area decontamination	40	40	40	40	See Table 2-26

TOTALS	29,700	26,300	19,000	10,000	
--------	--------	--------	--------	--------	--

* About 40 percent of the leakage flashes, resulting in PCA fraction of the leakage greater than 1.0.

** Input parameter.

tanks. For example, if the inlet streams A, B, and C enter the dirty waste collector tank at average rates and PCA as listed below,

Stream A	1,000 gal/day at 0.01PCA
Stream B	2,000 gal/day at 0.1PCA
Stream C	500 gal/day at 1.0PCA

the composite A, B, C activity would be calculated as follows:

$$\frac{(1,000 \text{ gal/day})(0.01\text{PCA}) + (2,000 \text{ gal/day})(0.1\text{PCA}) + (500 \text{ gal/day})(1.0\text{PCA})}{(1,000 \text{ gal/day} + 2,000 \text{ gal/day} + 500 \text{ gal/day})} = 0.2\text{PCA}$$

The entries on Card 21 for this example would then be: spaces 17-33, "Dirty Waste"; spaces 42-49, 3500.; spaces 57-61, "0.2".

The input flow rates and activities are entered in units of gal/day and fractions of PCA, respectively.

1.5.2.12.2 Decontamination Factors for Equipment Used in the Liquid Radwaste Treatment System (Cards 13, 16, 19, 22, 25, and 28)

The decontamination factors (DF's) given in this document are used in the PWR-GALE Code. The DF's represent the expected equipment performance averaged over the life of the plant, including downtime. The following factors should be considered in calculating the overall decontamination factors for the various systems:

1. DF's are categorized by one of the following types of radionuclides:
 - a. Halogens
 - b. Cs, Rb
 - c. Other Nuclides

Note: A DF of 1 is assumed by the PWR-GALE Code for tritium. Noble gases and water activation products, e.g., N-16, are not considered in the liquid code.

2. The system DF for each inlet stream is the product of the individual equipment DF's in each of the subsystems.
3. Equipment that is used optionally (as required) and not included in the normal flow scheme should not be considered in calculating the overall system DF.

Table 1-4 shows the decontamination factors to be used for PWR systems.

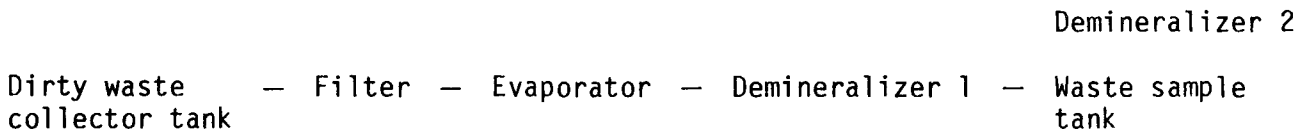
TABLE 1-4

DECONTAMINATION FACTORS FOR PWR LIQUID WASTE TREATMENT SYSTEMS

<u>TREATMENT SYSTEM</u>	<u>DECONTAMINATION FACTOR</u>		
	<u>Anion</u>	<u>Cs, Rb</u>	<u>Other Nuclides</u>
<u>Demineralizer</u>			
Mixed Bed			
Primary coolant letdown (CVCS)	100	2	50
Radwaste (H ⁺ OH ⁻)	10 ² (10)*	2(10)	10 ² (10)
Evaporator condensate polishing	5	1	10
Boron recycle	10	2	10
Steam generator blowdown	10 ² (10)	10(10)	10 ² (10)
Cation bed (any system)	1(1)	10(10)	10(10)
Anion bed (any system)	10 ² (10)	1(1)	1(1)
Powdex (any system)	10(10)	2(10)	10(10)
<u>Evaporators</u>	<u>All Nuclides Except Iodine</u>		<u>Iodine</u>
Miscellaneous radwaste	10 ³		10 ²
Boric acid recovery	10 ³		10 ²
<u>Reverse Osmosis</u>		<u>All Nuclides</u>	
Laundry wastes		30	
Other liquid wastes		10	
<u>Filters</u>		DF of 1 for all nuclides	

* For demineralizers in series, the DF for the second demineralizer is given in parentheses.

The following example illustrates the calculation of the decontamination factor for a dirty waste treatment system: Assume that dirty wastes are collected; processed through a filter, an evaporator, and a mixed-bed polishing demineralizer; and collected for sampling. If required to meet discharge criteria, the contents of the waste sample (test) tank are processed through a mixed-bed demineralizer for additional radionuclide removal. This example may be summarized graphically as:



Extracting from Table 1-4 gives the following values for the example:

	Filter	Evaporator	Demineralizer 1	Demineralizer 2	Product
Iodine	1	10^2	5	1	5×10^2
Cs, Rb	1	10^3	1	1	10^3
Other Nuclides	1	10^3	10	1	10^4

These values are obtained as follows:

- A DF of 1.0 is applied to all nuclides for the filter.
- A DF of 10^2 for iodine and 10^3 for Cs, Rb, and other nuclides is applied for the radwaste evaporator.
- A DF of 5 is applied for iodine, a DF of 1 for Cs, Rb and a DF of 10 for the evaporator condensate polishing demineralizer.
- A DF of 1 is applied to the second demineralizer since this demineralizer's used is optional, and it is not used for normal operations.
- The product of the DF's is obtained by multiplication of the first four columns for each nuclide.

Thus on Card 22, the following would be entered: in spaces 21-28, "500.0"; in spaces 34-41, "1000.0"; and in spaces 47-54, "10000.0".

1.5.2.12.3 Collection Time for Liquid Wastes (Cards 14, 17, 20, 23, 26, and 29 -- Spaces 29-33)

Collection time prior to processing is based on the input flow calculated above. Where redundant tanks are provided, assume the collection tank to be filled to 80% design capacity. If only one tank is provided,

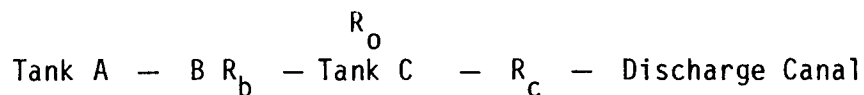
assume the tank to be filled to 40% design capacity. For example, if flow from a 1,000-gal/day floor drain is collected in two 20,000-gallon tanks prior to processing, collection time would be calculated as follows:

$$\text{Collection time } (T_c) = \frac{(0.8)(20,000 \text{ gal})}{(1,000 \text{ gal/day})} = 16 \text{ days}$$

Then, for example, "16.0" should be entered in spaces 29-33 on Card 23.

1.5.2.12.4 Processing and Discharge Time (Cards 14, 17, 20, 23, 26, and 29 -- Spaces 48-53)

Decay during processing and discharge of liquid wastes is shown graphically as follows:



where

- A is the capacity of initial tank in flow scheme, in gal;
- B is the limiting process based on equipment flow capacity, dimensionless;
- C is the capacity of final tank in flow scheme prior to discharge, in gal;
- R_b is the equipment flow capacity of Process B, in gal/day;
- R_c is the flow capacity of Tank C discharge pump, in gal/day; and
- R_o is the rate of flow of additional waste inputs to Tank C, in gal/day.

T_p , the process time credited for decay, is calculated as follows, in days:

$$T_p = \frac{0.8A}{R_b} \text{ for redundant tanks, or } T_p = \frac{0.4A}{R_b} \text{ for a single tank}$$

T_d , the discharge time (50% credited for decay), is calculated as follows, in days:

$$T_d = \frac{0.8C}{R_c} \text{ for redundant tanks, or } T_d = \frac{0.4C}{R_c} \text{ for a single tank.}$$

After performing the above two calculations, calculate whether credit may be taken for decay during discharge by determining whether

$$0.8C > T_p (R_b + R_o) \text{ for redundant tanks, or}$$

$$0.4C > T_p (R_b + R_o) \text{ for a single tank.}$$

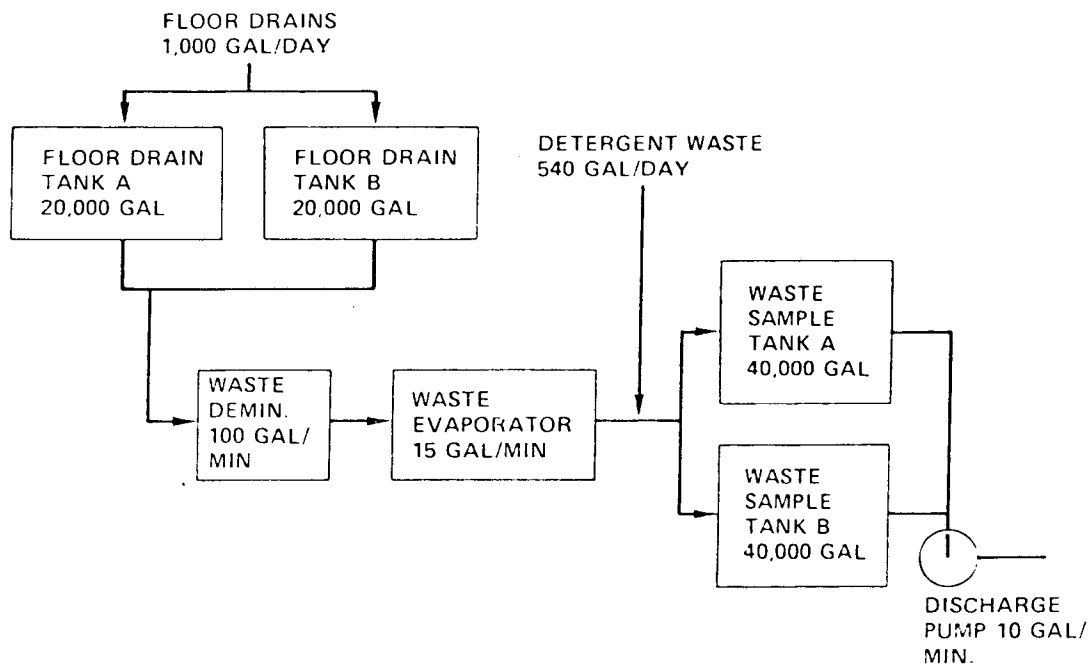
If so, then

$$\text{Decay} = T_p + 0.5T_d$$

where "Decay" is the new processing and discharge time to be entered in spaces 48-53 of the third card for each input stream (Cards 14, 17, 20, 23, 26, and 29).

If, however, $0.8C$ (or $0.4C$, as appropriate) $\leq T_p (R_b + R_o)$, T_p is used for the holdup time during processing, since Tank C may be discharged before Tank A has been completely processed. In this case, the T_p value should be entered in spaces 48-53 of the third card.

For example, for the following input waste stream:



Decay time during processing and discharge is calculated as follows:

$$\text{Process Time } (T_p) = \frac{(0.8)(20,000 \text{ gal})}{(15 \text{ gal/min})(1440 \text{ min/day})} = 0.7 \text{ day}$$

$$\text{Discharge Time } (T_d) = \frac{(0.8)(40,000 \text{ gal})}{(10 \text{ gal/min})(1440 \text{ min/day})} = 2.2 \text{ days}$$

Then, checking for decay credit, $0.8C/(R_b + R_o) = 1.45$ days, which is greater than T_p ; therefore, credit is taken for $(T_p + 0.5T_d)$ or 1.8 days for processing and discharge. The input in spaces 48-53 to the Code is 1.8 days for processing and discharge time.

1.5.2.12.5 Fraction of Wastes Discharged (Cards 14, 17, 20, 23, 26, and 29 -- Spaces 72-77)

The percent of the wastes discharged after processing may vary between 10% and 100%, except as noted below, based on the capability of the system to process liquid waste during equipment downtime, waste volume surges, tritium control requirements, and tank surge capacity. A minimum value of 10% discharge for the liquid radioactive waste treatment system is used when the system is designed for maximum waste recycle, when the system capacity is sufficient to process wastes for reuse during equipment downtime and anticipated operational occurrences, and when a discharge route is provided. For steam generator blowdown treatment systems, less than 10% discharge should be considered on a case-by-base basis, depending on system capacity.

The PWR-GALE Code calculates the release of radioactive materials in liquid waste from the following systems after processing. The quantity released is shown on the printout.

1. Boron Recovery System - Combined releases from both shim bleed and equipment drains.
2. Miscellaneous Liquid Waste System - Combined releases from both clean and dirty waste subsystems.
3. Secondary Waste System - Releases from steam generator blowdown system, regenerant wastes from demineralizer regenerations, or both according to the plant design.
4. Turbine Building Floor Drain System - Releases of liquid from the turbine building floor drain system are calculated assuming no treatment prior to release. Straight decay time of 6 hours is built into the code.
5. Detergent Waste System - Combined releases from laundry operations, equipment decontamination solutions, and personnel decontamination showers.

1.5.2.13 Card 30: Letdown System

1. Enter 0 in space 80 if there is not continuous gas stripping of the full letdown flow. (This sets $Y = 0.0.$)
2. Enter 1 in space 80 if there is continuous degassification of the full letdown flow to the gaseous radwaste system via a gas stripper. (This sets $Y = 1.0.$)
3. Enter 2 in space 80 if there is continuous purging of the volume control tank. (This sets $Y = 0.25.$)

The total amount of fission gases routed to the gaseous radwaste system from several systems in the plant (e.g., volume control tank, shim bleed gas stripper, equipment drain tanks, cover gas) is calculated in the PWR-GALE Code. (For definition of "Y", see Tables 2-4 & 2-5.)

1.5.2.14 Cards 31-33: Holdup Time for Fission Gases Stripped from Primary Coolant

The holdup time for gases stripped from the primary coolant is hand calculated because of the multiplicity of holdup system designs. The calculations are based on the following parameters:

1. Pressurized Storage Tanks
 - a. One storage tank is held in reserve for back-to-back shutdowns, one tank is in the process of filling, and the remainder are used for storage. The PWR-GALE Code will calculate the effective holdup time for filling and add it to the holdup time for storage.
 - b. Calculations are based on the waste gas input flow rate to the pressurized storage tanks, and a storage tank pressure 70% of the design value.
 - c. If the calculated holdup time exceeds 90 days, assume the remaining gases are released after 90 days.

The holdup time (T_h) and fill time (T_f) are calculated as follows:

$$T_f = \frac{PV}{F}$$

$$T_h = \frac{PV(n-2)}{F}$$

where

n is the number of tanks;

- n-2 is the correction to subtract the tank being filled and the tank held in reserve;
- P is the storage pressure, in atmospheres (dimensionless in this particular calculation);
- T_f is the time required to fill one tank, in days;
- T_h is the holdup time, in days;
- V is the volume of each tank, in ft^3 (STP); and
- F is the waste gas flow rate to pressurized storage tanks. This flow rate should be supplied by the applicant for the specific type of waste gas system design. In the absence of specific data supplied by the applicant, we will use the data given in Section 2.2.12.1, in which the average value for the PWR's listed in Table 2-24 is $170 \text{ ft}^3/\text{day}$ (STP) per reactor for PWR's without recombiners; and for PWR's with recombiners, the average value for the PWR's listed in Table 2-25 is $30 \text{ ft}^3/\text{day}$ (STP) per reactor.

Enter on Card 31 the holdup time, in days, for Xe in spaces 73-80.

Enter on Card 32 the holdup time, in days, for Kr in spaces 73-80.

Enter on Card 33 the fill time, in days, in spaces 73-80.

2. Charcoal Delay Systems

Charcoal delay system holdup times are based on the following equation:

$$T = 0.011 MK/F$$

where

- F is the system flow rate, in ft^3/min ; (see 1.5.2.14.1.c, above)
- K is the dynamic adsorption coefficient, in cm^3/g ;
- M is the mass of charcoal adsorber, in thousands of pounds; and
- T is the holdup time, in days.

The dynamic absorption coefficient, K, for Xe and Kr and based on

the system design noted below.

	<u>DYNAMIC ABSORPTION COEFFICIENT, K (cm³/g)</u>			
	<u>Operating 77°F Dew Point 45°F</u>	<u>Operating 77°F Dew Point 0°F</u>	<u>Operating 77°F Dew Point -40°</u>	<u>Operating 0°F Dew Point -20°</u>
Kr	18.5	25	70	105
Xe	330.0	440	1160	2410

Enter on Card 31 the holdup time, in days, for Xe in spaces 73-80.

Enter on Card 32 the holdup time, in days, for Kr in spaces 73-80.

Leave Card 33 blank.

3. Cover Gas Recycle System

For this system or other systems designed to hold gases indefinitely, the calculations are based on a 90-day holdup time.

Enter on Card 31 the holdup time (90 days) for Xe in spaces 73-80.

Enter on Card 32 the holdup time (90 days) for Kr in spaces 73-80.

Enter on Card 33 the fill time (0 days) in spaces 73-80.

1.5.2.15 Card 34: Waste Gas System Particulate Releases

Card 34 identifies the treatment provided for particulate removal from the waste gas system effluent.

1. If ventilation exhaust air is treated through HEPA filters which satisfy the guidelines of Regulatory Guide 1.140 (Ref. 2), enter a removal efficiency of 99. for particulates in spaces 39-41.
2. If no treatment is provided for the ventilation exhaust air to remove particulates or if the HEPA filters do not satisfy the guidelines of Regulatory Guide 1.140 (Ref. 2), enter 0.0 in spaces 39-41.

1.5.2.16 Cards 35 and 36: Fuel Handling and Auxiliary Buildings Releases

Cards 35 and 36 indicate the fractions of airborne iodine and radioactive particulates released from the fuel handling and auxiliary buildings, respectively.

TABLE 1-5

ASSIGNED REMOVAL EFFICIENCIES FOR CHARCOAL ADSORBERS
FOR RADIOIODINE REMOVAL

<u>Activated Carbon^a Bed Depth</u>	<u>Removal Efficiencies^b for Radioiodine %</u>
2 inches. Air filtration system designed to operate inside reactor containment	90.
2 inches. Air filtration system designed to operate outside the reactor containment and relative humidity is controlled at 70%	70.
4 inches. Air filtration system designed to operate outside the reactor containment and relative humidity is controlled at 70%	90.
6 inches. Air filtration system designed to operate outside the reactor containment and relative humidity is controlled to 70%	99.

^a Multiple beds, e.g., two 2-inch beds in series, should be treated as a single bed of aggregate depth of 4 inches.

^b The removal efficiencies assigned to HEPA filters for particulate removal and charcoal adsorbers for radioiodine removal are based on the design, testing, and maintenance criteria recommended in Regulatory Guide 1.140, "Design, Testing and Maintenance Criteria for Normal Ventilation Exhaust System Air Filtration and Adsorption Units of Light-Water-Cooled Nuclear Power Plants" (Ref. 2).

1. If ventilation exhaust air is treated through charcoal adsorbers which satisfy the guidelines of Regulatory Guide 1.140 (Ref. 2), enter the appropriate removal efficiency in spaces 47-49 for radioiodine corresponding to the depth of charcoal as indicated in Table 1-5.
2. If ventilation exhaust air is treated through HEPA filters which satisfy the guidelines of Regulatory Guide 1.140 (Ref. 2), enter a removal efficiency of 99. for particulates in spaces 56-58.
3. If no treatment is provided for the ventilation exhaust air to remove radioiodine, enter 0.0 in spaces 47-49; if no treatment is provided to remove particulates, enter 0.0 in spaces 56-58.

1.5.2.17 Card 37: Containment Free Volume (SAR/ER)

Enter the containment volume (in 10^6 ft^3) in spaces 73-80.

1.5.2.18 Card 38: Containment Internal Cleanup System (SAR/ER)

1. If the containment internal cleanup system uses charcoal adsorbers which satisfy the guidelines of Regulatory Guide 1.140 (Ref. 2), enter the appropriate removal efficiency in spaces 47-49 for radioiodine corresponding to the depth of charcoal as indicated in Table 1-5.
2. If the containment internal cleanup system uses HEPA filters which satisfy the guidelines of Regulatory Guide 1.140 (Ref. 2), enter a removal efficiency of 99. for particulates in spaces 56-58.
3. If there is no containment internal cleanup system, enter 0.0 in spaces 47-49 and in spaces 56-58.
4. Enter the flow rate (in $10^3 \text{ ft}^3/\text{min}$) through the internal cleanup system in spaces 73-80.

The airborne concentration calculations are based on the following parameters:

- a. A primary coolant leakage rate corresponding to the normalized release rate given in Table 1-1.
- b. A continuous normal ventilation flow rate as specified by the applicant.
- c. Operation of the cleanup system for 16 hours prior to purging.
- d. A DF for the charcoal adsorber corresponding to the values in Table 1-5, a DF of 100 for the HEPA filters, and a mixing efficiency of 70%. The mixing efficiency is an effective removal efficiency which takes into account the effects of incomplete mixing in the containment.

- e. Continuous leakage of primary coolant during the operation of the internal cleanup system.

1.5.2.19 Card 39: Containment Building Iodine Releases - During Large Volume Purge System Operation

Card 39 indicates the fraction of airborne iodine and radioactive particulates released during purging of the containment building with the large volume containment purge system.

Note: Treatment referred to below does not include the internal recirculation system.

1. If ventilation exhaust air is treated through charcoal adsorbers which satisfy the guidelines of Regulatory Guide 1.140 (Ref. 2), enter the appropriate removal efficiency in spaces 47-49 for radioiodine corresponding to the depth of charcoal as indicated in Table 1-5.
2. If ventilation exhaust air is treated through HEPA filters which satisfy the guidelines of Regulatory Guide 1.140 (Ref. 2), enter a removal efficiency of 99. for particulates in spaces 56-58.
3. If no treatment is provided for the ventilation exhaust air to remove radioiodine, enter 0.0 in spaces 47-49; if no treatment is provided to remove particulates, enter 0.0 in spaces 56-58.
4. Enter the number of purges per year during power operations in spaces 78-80. (Note: The 2 purges at shutdown are stored in the PWR GALE Code and need not be entered on card 39.)

1.5.2.20 Card 40: Containment Building Iodine Releases - Low Volume Purge During Power Operation

Card 40 indicates the fraction of airborne iodine in the containment atmosphere that is released during the low volume purge of the containment building while the reactor is at power.

Note: Treatment referred to below does not include the internal recirculation system.

1. If ventilation exhaust air is treated through charcoal adsorbers which satisfy the guidelines of Regulatory Guide 1.140 (Ref. 2), enter the appropriate removal efficiency in spaces 47-49 for radioiodine corresponding to the depth of charcoal as indicated in Table 1-5.
2. If ventilation exhaust air is treated through HEPA filters which satisfy the guidelines of Regulatory Guide 1.140 (Ref. 2), enter a removal efficiency of 99. for particulates in spaces 56-58.
3. If no treatment is provided for the ventilation exhaust air to remove radioiodine, enter 0.0 in spaces 47-49; if no treatment is provided to remove particulates, enter 0.0 in spaces 56-58.

4. Enter the continuous containment purge rate (ft^3/min) in spaces 73-80.

1.5.2.21 Card 41: Steam Generator Blowdown Tank Vent

1. Enter 0.0 in spaces 73-80 if the gases from the blowdown flash tank are vented through a condenser prior to release.
2. Enter 0.0 in spaces 73-80 if the blowdown flash tank is vented to the main condenser air ejector.
3. Enter 0.0 in spaces 73-80 for a once-through steam generator system.
4. For older plants which still use flash tanks which vent directly to the atmosphere an iodine partition factor of 0.05 is used.

1.5.2.22 Card 42: Percentage of Iodine Removed by the Condenser Air Ejector Offgas Treatment System

1. If, prior to release, the offgases from the condenser air ejector are processed through charcoal adsorbers which satisfy the guidelines of Regulatory Guide 1.140 (Ref. 2), enter the removal efficiency in spaces 73-80 for radioiodine corresponding to the depth of charcoal as indicated in Table 1-5.
2. If the offgases are released from the condenser air ejector without treatment, enter 0.0 in spaces 73-80.

1.5.2.23 Card 43: Detergent Wastes

1. If the plant does not have an onsite laundry, enter 0.0 in spaces 73-80.
2. If the plant has an onsite laundry and detergent wastes are released without treatment, enter 1.0 in spaces 73-80.
3. If detergent wastes are treated prior to discharge, enter the fraction of radionuclides remaining after treatment ($1/\text{DF}$) in spaces 73-80. The parameters in Chapter 2 of this document should be used in determining the DF for the treatment applied to detergent wastes.

CHAPTER 2. PRINCIPAL PARAMETERS USED IN PWR SOURCE TERM
CALCULATIONS AND THEIR BASES

2.1 INTRODUCTION

The principal parameters used in source term calculations have been compiled to standardize the calculation of radioactive source terms.

The following sections describe parameters used in the evaluation of radwaste treatment systems. The parameters have been derived from reactor operating experience where data were available. Where operating data were inconclusive or not available, information was drawn from laboratory and field tests and from engineering judgment. The bases for the source term parameters explain the reasons for choosing the numerical values listed. A list of references used in developing the parameters is also included.

The parameters in the PWR-GALE Code will be updated periodically and published in revisions to this NUREG as additional operating data become available. The source term parameters used are believed to provide a realistic assessment of reactor and radwaste system operation.

2.2 PRINCIPAL PARAMETERS AND THEIR BASES

2.2.1 THERMAL POWER LEVEL

2.2.1.1 Parameter

The maximum thermal power level (Mwt) evaluated for safety considerations in the Safety Analysis Report.

2.2.1.2 Bases

The power level used in the source term PWR-GALE Code is the maximum power level evaluated for safety considerations in the Safety Analysis Report. Using this value, the evaluation of the radwaste management systems need not be repeated when the applicant applies for a stretch power license at a later date. Past experience indicates that most utilities request approval to operate at maximum power soon after reaching commercial operation.

2.2.2 PLANT CAPACITY FACTOR

2.2.2.1 Parameter

A plant capacity factor of 80% is used, i.e., 292 effective full power days.

2.2.2.2 Bases

The source term calculations are based on a plant capacity factor of 80% averaged over the 30-year operating life of the plant, i.e., the plant operates at 100% power 80% of the time. The plant capacity factors experienced at PWR's are listed in Table 2-1 for the period 1972 through 1977.

The average plant capacity factors shown in Table 2-1 indicate that the 80% factor assumed is higher than the average factors experienced. However, it is expected that the major maintenance problems and extended refueling outages that have contributed to the lower plant capacity factors will be overcome and that the plants will achieve the 80% capacity factor when averaged over 30 years of operation.

2.2.3 RADIONUCLIDE CONCENTRATIONS IN THE PRIMARY AND SECONDARY COOLANT

2.2.3.1 Parameter

As used in the PWR-GALE Code, Tables 2-2 and 2-3 list the expected radionuclide concentrations in the reactor coolant and steam for PWR's with design parameters within the ranges listed in Tables 2-4 and 2-5. Should any design parameter be outside the range in Tables 2-4 and 2-5, the PWR-GALE Code adjusts the concentrations in Tables 2-2 and 2-3, using the factors in Tables 2-6, 2-7, and 2-8. Figures 2-1 and 2-2 show the graphical relationship of the design parameters.

2.2.3.2 Bases

The radionuclide concentrations, adjustment factors, and procedure for effecting adjustments are based on the values and methods in American National Standard ANSI N237, Source Term Specification, (Ref. 1) but have been updated based on a recent compilation of available operating data concerning primary coolant concentrations, steam generator tube leakage, and secondary side radionuclide behavior. Therefore, the concentration values in NUREG-0017, Rev. 1 differ from the ANSI N237 values.

The values in Tables 2-2 and 2-3 provide a set of typical radionuclide concentrations in the primary and secondary systems for reactor designs within the parameters specified in Tables 2-4 and 2-5. The values in Tables 2-2 and 2-3 are those determined to be representative of radionuclide concentrations in a PWR over its lifetime based on the currently available data and models. The secondary coolant concentrations given in Tables 2-2 and 2-3 are calculated by using the reference parameters given in Table 2-6 and the equations given in Tables 2-7 and 2-8. It is recognized that some systems will have design parameters that are outside the ranges specified in Tables 2-4 and 2-5. For that reason, a means of adjusting the concentrations to the actual design parameters has been provided in Tables 2-6 through 2-8. The adjustment factors in Table 2-6 through 2-8 are based on the following expression;

TABLE 2-1

PLANT CAPACITY FACTORS AT OPERATING PWR's^a

<u>FACILITY^b</u>	<u>Date of Commercial Operation^c</u>	<u>1972</u>	<u>1973</u>	<u>1974</u>	<u>1975</u>	<u>1976</u>	<u>1977</u>
Haddam Neck	1/68	86	48 ^d	89	84	81	82
San Onofre 1	1/68	72	60	83	85	66	62
R. E. Ginna	7/70	58	81	50 ^d	73	52	83
Point Beach 1	12/70	69	67	76	70	78	85
H. B. Robinson 2	3/71	78	65 ^e	81	71	82 ^d	74
Palisades	12/71	61	40 ^e	d	46 ^e	50 ^d	78
Point Beach 2	10/72		72	77	88	86	82
Turkey Point 3	12/72		55	61 ^d	76	75	78
Surry 1	12/72		51 ^f	50 ^d	60	67	78
Maine Yankee	12/72		17 ^f	54 ^d	69	91 ^e	77
Surry 2	5/73			40 ^d	76	51 ^e	65
Oconee 1	7/73			54	71	54 ^d	54
Indian Point 2	8/73			51	68	31 ^d	73
Turkey Point 4	9/73			71	68	64	62
Fort Calhoun	9/73			61	54	57	76
Prairie Island 1	12/73			36 ^e	83	73	83
Zion 1	12/73			49 ^g	68	55	58
Kewaunee	6/74				75	75	77
Three Mile Island 1	9/74				79	63	79 ^d
Oconee 2	9/74				68	58	53 ^d
Zion 2	9/74				68	54	71
Oconee 3	12/74				69	64	71
Arkansas 1	12/74				69	54	73
Prairie Island 2	12/74				73	69	87
Rancho Seco	4/75					28 ^g	75
Calvert Cliffs 1	5/75					88	65 ^f
Cook 1	8/75					75	54 ^f
Millstone 2	12/75					68	63
Trojan	5/76						71
Indian Point 3	8/76						72
Beaver Valley 1	10/76						44 ^e
St. Lucie 1	12/76						78
AVERAGE		71	64	69	72	69	74

^a From monthly Operating Units Status Reports.

^b Indian Point 1 and Yankee Rowe are not included since they are small reactors [$< 700 \text{ MW}(t)$].

^c Plant capacity factors listed are for the first full year of commercial operation. Therefore, this list does not include the following plants which began commercial operation in 1977 and 1978: Calvert Cliffs 2, Cook 2, Crystal River 3, Davis Besse 1, Farley 1, Salem 1, North Anna 1, and Three Mile Island 2.

^d Not included due to extended outage for refueling/maintenance.

^e Not included due to extended maintenance/repair to the secondary system.

^f Not included due to extended operation at reduced power.

^g Not included due to extended maintenance outage to repair generator.

TABLE 2-2

NUMERICAL VALUES - CONCENTRATIONS IN PRINCIPAL FLUID STREAMS
OF THE REFERENCE PWR WITH U-TUBE STEAM GENERATORS
 ($\mu\text{Ci/g}$)

<u>Isotope</u>	<u>Reactor Coolant**</u>	<u>Secondary Coolant*</u>	
		<u>Water***</u>	<u>Steam^{††}</u>
<u>Noble Gases</u>			
Kr-85m	1.6(-1) ^{†††}		3.4(-8)
Kr-85	4.3(-1)		8.9(-8)
Kr-87	1.5(-1)		3.0(-8)
Kr-88	2.8(-1)		5.9(-8)
Xe-131m	7.3(-1)		1.5(-7)
Xe-133m	7.0(-2)		1.5(-8)
Xe-133	2.6(0)		5.4(-7)
Xe-135m	1.3(-1)		2.7(-8)
Xe-135	8.5(-1)		1.8(-7)
Xe-137	3.4(-2)		7.1(-9)
Xe-138	1.2(-1)		2.5(-8)
<u>Halogens</u>			
Br-84	1.6(-2)	7.5(-8)	7.5(-10)
I-131	4.5(-2)	1.8(-6)	1.8(-8)
I-132	2.1(-1)	3.1(-6)	3.1(-8)
I-133	1.4(-1)	4.8(-6)	4.8(-8)
I-134	3.4(-1)	2.4(-6)	2.4(-8)
I-135	2.6(-1)	6.6(-6)	6.6(-8)
<u>Cs, Rb</u>			
Rb-88	1.9(-1)	5.3(-7)	2.6(-9)
Cs-134	7.1(-3)	3.3(-7)	1.7(-9)
Cs-136	8.7(-4)	4.0(-8)	2.0(-10)
Cs-137	9.4(-3)	4.4(-7)	2.2(-9)
<u>Water Activation Products</u>			
N-16	4.0(+1)	1.0(-6)	1.0(-7)
<u>Tritium</u>			
H-3	1.0(0)	1.0(-3)	1.0(-3)
<u>Other Nuclides</u>			
Na-24	4.7(-2)	1.5(-6)	7.5(-9)
Cr-51	3.1(-3)	1.3(-7)	6.3(-10)
Mn-54	1.6(-3)	6.5(-8)	3.3(-10)

TABLE 2-2 (continued)

Isotope	Reactor Coolant**	Secondary Coolant*	
		Water***	Steam ^{††}
Fe-55	1.2(-3)	4.9(-8)	2.5(-10)
Fe-59	3.0(-4)	1.2(-8)	6.1(-11)
Co-58	4.6(-3)	1.9(-7)	9.4(-10)
Co-60	5.3(-4)	2.2(-8)	1.1(-10)
Zn-65	5.1(-4)	2.1(-8)	1.0(-10)
Sr-89	1.4(-4)	5.7(-9)	2.9(-11)
Sr-90	1.2(-5)	4.9(-10)	2.5(-12)
Sr-91	9.6(-4)	2.8(-8)	1.4(-10)
Y-91m	4.6(-4)	3.2(-9)	1.6(-11)
Y-91	5.2(-6)	2.1(-10)	1.1(-12)
Y-93	4.2(-3)	1.2(-7)	6.1(-10)
Zr-95	3.9(-4)	1.6(-8)	7.9(-11)
Nb-95	2.8(-4)	1.1(-8)	5.7(-11)
Mo-99	6.4(-3)	2.5(-7)	1.2(-9)
Tc-99m	4.7(-3)	1.1(-7)	5.7(-10)
Ru-103	7.5(-3)	3.1(-7)	1.6(-9)
Ru-106	9.0(-2)	3.7(-6)	1.8(-8)
Ag-110m	1.3(-3)	5.3(-8)	2.7(-10)
Te-129m	1.9(-4)	7.8(-9)	3.9(-11)
Te-129	2.4(-2)	2.2(-7)	1.1(-9)
Te-131m	1.5(-3)	5.4(-8)	2.7(-10)
Te-131	7.7(-3)	2.9(-8)	1.5(-10)
Te-132	1.7(-3)	6.6(-8)	3.3(-10)
Ba-140	1.3(-2)	5.2(-7)	2.6(-9)
La-140	2.5(-2)	9.3(-7)	4.6(-9)
Ce-141	1.5(-4)	6.1(-9)	3.1(-11)
Ce-143	2.8(-3)	1.0(-7)	5.1(-10)
Ce-144	3.9(-3)	1.6(-7)	8.2(-10)
W-187	2.5(-3)	8.7(-8)	4.4(-10)
Np-239	2.2(-3)	8.4(-8)	4.2(-10)

* Based on a primary-to-secondary leak of 75 lb/day.

** The concentrations given are for reactor coolant entering the letdown line. These concentrations are obtained from Tables 2-9 and 2-10. N-16 and H-3 concentrations are obtained from Reference 1.

*** The concentrations given are for water in a steam generator.

†† The concentrations given are for steam leaving a steam generator.

††† $1.6(-1) = 1.6 \times 10^{-1}$.

TABLE 2-3

NUMERICAL VALUES - CONCENTRATIONS IN PRINCIPAL FLUID STREAMS
OF THE REFERENCE PWR WITH ONCE-THROUGH STEAM GENERATORS
 ($\mu\text{Ci/g}$)

<u>Isotope</u>	<u>Reactor Coolant*</u>	<u>Secondary Coolant**</u>
<u>Noble Gases</u>		
Kr-85m	1.6(-1)	3.4(-8)
Kr-85	4.3(-1)	8.9(-8)
Kr-87	1.5(-1)	3.0(-8)
Kr-88	2.8(-1)	5.9(-8)
Xe-131m	7.3(-1)	1.5(-7)
Xe-133m	7.0(-2)	1.5(-8)
Xe-133	2.6(0)	5.4(-7)
Xe-135m	1.3(-1)	2.7(-8)
Xe-135	8.5(-1)	1.8(-7)
Xe-137	3.4(-2)	7.1(-9)
Xe-138	1.2(-1)	2.5(-8)
<u>Halogens</u>		
Br-84	1.6(-2)	1.8(-8)
I-131	4.5(-2)	5.2(-8)
I-132	2.1(-1)	2.4(-7)
I-133	1.4(-1)	1.6(-7)
I-134	3.4(-1)	3.8(-7)
I-135	2.6(-1)	3.0(-7)
<u>Cs, Rb</u>		
Rb-88	1.9(-1)	6.0(-7)
Cs-134	7.1(-3)	3.0(-8)
Cs-136	8.7(-4)	3.6(-9)
Cs-137	9.4(-3)	3.9(-8)
<u>Water Activation Products</u>		
N-16	4.0(+1)	1.0(-6)
<u>Tritium</u>		
H-3	1.0(0)	1.0(-3)
<u>Other Nuclides</u>		
Na-24	4.7(-2)	1.0(-7)
Cr-51	3.1(-3)	6.9(-9)
Mn-54	1.6(-3)	3.6(-9)
Fe-55	1.2(-3)	2.7(-9)
Fe-59	3.0(-4)	6.7(-10)
Co-58	4.6(-3)	1.0(-8)
Co-60	5.3(-4)	1.2(-9)

TABLE 2-3 (continued)

<u>Isotope</u>	<u>Reactor Coolant*</u>	<u>Secondary Coolant**</u>
Zn-65	5.1(-4)	1.1(-9)
Sr-89	1.4(-4)	3.1(-10)
Sr-90	1.2(-5)	2.7(-11)
Sr-91	9.6(-4)	2.1(-9)
Y-91m	4.6(-4)	9.7(-10)
Y-91	5.2(-6)	1.2(-11)
Y-93	4.2(-3)	9.3(-9)
Zr-95	3.9(-4)	8.7(-10)
Nb-95	2.8(-4)	6.2(-10)
Mo-99	6.4(-3)	1.4(-8)
Tc-99m	4.7(-3)	1.0(-8)
Ru-103	7.5(-3)	1.7(-8)
Ru-106	9.0(-2)	2.0(-7)
Ag-110m	1.3(-3)	2.9(-9)
Te-129m	1.9(-4)	4.2(-10)
Te-129	2.4(-2)	5.1(-8)
Te-131m	1.5(-3)	3.3(-9)
Te-131	7.7(-3)	1.5(-8)
Te-132	1.7(-3)	3.8(-9)
Ba-140	1.3(-2)	2.9(-8)
La-140	2.5(-2)	5.6(-8)
Ce-141	1.5(-4)	3.3(-10)
Ce-143	2.8(-3)	6.2(-9)
Ce-144	3.9(-3)	8.7(-9)
W-187	2.5(-3)	5.6(-9)
Np-239	2.2(-3)	4.9(-9)

* The concentrations given are reactor coolant entering the letdown line. These concentrations are obtained from Tables 2-9 and 2-10. N-16 and H-3 concentrations are obtained from Reference 1.

** Based on primary-to-secondary leakage of 75 lb/day. The concentrations given are for steam leaving a steam generator.

TABLE 2-4

PARAMETERS USED TO DESCRIBE THE REFERENCE PRESSURIZED WATER
REACTOR WITH U-TUBE STEAM GENERATORS

Parameter	Symbol	Units	Nominal Value	Range	
				Maximum	Minimum
Thermal Power	P	MWt	3,400	3,800	3,000
Steam flow rate	FS	lb/hr	1.5(7)	1.7(7)	1.3(7)
Weight of water in reactor coolant system	WP	lb	5.5(5)	6.0(5)	5.0(5)
Weight of water in all steam generators	WS	lb	4.5(5)	5.0(5)	4.0(5)
Reactor coolant letdown flow (purification)	FD	lb/hr	3.7(4)	4.2(4)	3.2(4)
Reactor coolant letdown flow (yearly average for boron control)	FB	lb/hr	500	1,000	250
Steam generator blowdown flow (total)	FBD	lb/hr	75,000	100,000	50,000
Fraction of radioactivity in blowdown stream that is not returned to the secondary coolant system	NBD	--	1.0*	1.0	0.9
Flow through the purification system cation demineralizer	FA	lb/hr	3,700	7,500	0.0
Ratio of condensate demineralizer flow rate to the total steam flow rate	NC	--	0.0**	0.01	0.0
Ratio of the total amount of noble gases routed to gaseous radwaste from the purification system to the total amount of noble gases routed from the primary coolant system to the purification system (not including the boron recovery system)	Y	--	0.0	0.01	0.0

* This value is based on a nominal case of blowdown through blowdown demineralizers back to the main condenser (no condensate demineralizers). Value taken from blowdown demineralizer DF's in Section 2.2.18. Value for cesium and rubidium is 0.9.

** This value is based on a nominal case of no condensate demineralizers. For a U-tube steam generator PWR with full flow condensate demineralizers, a value of NC = 1.0 is used by the PWR-GALE Code. For a U-tube steam generator PWR with condensate demineralizers and pumped forward feedwater heater drains, the value for NC used by the PWR-GALE Code is 0.2 for iodine, and 0.1 for Cs, Rb and other nuclides as discussed on page 2-20.

TABLE 2-5

PARAMETERS USED TO DESCRIBE THE REFERENCE PRESSURIZED WATER
REACTOR WITH ONCE-THROUGH STEAM GENERATORS

Parameter	Symbol	Units	Nominal Value	Range	
				Maximum	Minimum
Thermal Power	P	MWt	3,400	3,800	3,000
Steam flow rate	FS	lb/hr	1.5(7)	1.7(7)	1.3(7)
Weight of water in reactor coolant system	WP	lb	5.5(5)	6.0(5)	5.0(5)
Weight of water in all steam generators	WS	lb	1.0(5)	*	*
Reactor coolant letdown flow (purification)	FD	lb/hr	3.7(4)	4.2(4)	3.2(4)
Reactor coolant letdown flow (yearly average for boron control)	FB	lb/hr	500	1,000	250
Flow through the purification system cation demineralizer	FA	lb/hr	3,700	7,500	0.0
Ratio of condensate demineralizer flow rate to the total steam flow rate	NC	--	0.65**	0.75	0.55
Ratio of the total amount of noble gases routed to gaseous radwaste from the purification system to the total amount routed from the primary coolant system to the purification system (not including the boron recovery system)	Y	--	0.0	0.01	0.0

* The secondary coolant inventory is not of importance in a once-through steam generator plant because decay is not an important removal mechanism for most of the isotopes.

** For a PWR that is within the range indicated above, i.e., a PWR with pumped forward feedwater heater drains, the value for NC used by the PWR-GALE Code is 0.2 for iodine and 0.1 for Cs, Rb and other nuclides, as discussed on page 2-20. For a PWR that has full flow condensate demineralizer, a value of NC = 1.0 is used by the PWR-GALE Code.

TABLE 2-6
VALUES USED IN DETERMINING ADJUSTMENT FACTORS FOR
PRESSURIZED WATER REACTORS

Symbol	Description	Element Class					
		Noble Gases	Halogens	Cs, Rb	Water Activation Products	H-3	Other Nuclides
NA	Fraction of material removed in passing through the cation demineralizer	0.0	0.0	0.9	0.0	0.0	0.9*
NB	Fraction of material removed in passing through the purification demineralizer	0.0	0.99	0.5	0.0	0.0	0.98
R	Removal rate λ reactor coolant (Hr^{-1})**	0.0009	0.067	0.037	0.0	***	0.066
NS	Ratio of concentration in steam to that in water in the steam generator						
	U-tube steam generator	†	0.01	0.005	††	1.0	0.005
	Once-through steam generator	†	1.0	1.0	1.0	1.0	1.0
NX	Fraction of activity removed in passing through the condensate demineralizers	0.0	0.9	0.5	0.0	0.0	0.9
r	Removal rate λ secondary coolant (Hr^{-1})†††						
	U-tube steam generator	†	0.17	0.15	††	***	0.17
	Once-through steam generator	†	27	7.5	††	***	14
FL	Primary-to-secondary leakage (lb/day)	75	75	75	75	75	75

* These represent effective removal terms and include mechanisms such as plateout. Plateout would be applicable to nuclides such as Mo and corrosion products.

TABLE 2-6 (continued)

** These values of R apply to the reference PWR's whose parameters are given in Tables 2-4 and 2-5 and have been used in developing Tables 2-7 and 2-8. For PWR's not included in Tables 2-4 and 2-5, the appropriate value for R may be determined by the following equations.

$$R = \frac{FB + (FD - FB)Y}{WP} \quad \text{for noble gases}$$

$$R = \frac{(FD)(NB) + (1 - NB)(FB + (FA)(NA))}{WP} \quad \text{for halogens, Cs, Rb, and other nuclides}$$

*** The concentration of tritium is a function of (1) the inventory of tritiated liquids in the plant, (2) the rate of production of tritium due to activation in the reactor coolant as well as releases from the fuel, and (3) the extent to which tritiated water is recycled or discharged from the plant. The tritium concentrations given in Tables 2-2 and 2-3 are representative of PWR's with a moderate amount of tritium recycle and can be used to calculate source terms in accordance with Regulatory Guide 1.112, "Calculations of Releases of Radioactive Materials in Gaseous and Liquid Effluents from Light-Water-Cooled Power Reactors."

† Noble gases are rapidly transported out of the water in the steam generator and swept out of the vessel in the steam; therefore, the concentration in the water is negligible and the concentration in the steam is approximately equal to the ratio of the release rate to the steam generator and the steam flow rate. These noble gases are removed from the system at the main condenser.

†† Water activation products exhibit varying chemical and physical properties in reactor coolants that are not well defined. Most are not effectively removed by the demineralizers, but their concentrations are controlled by decay.

††† These values of r apply to the reference PWR's whose parameters are given in Tables 2-4 and 2-5 and have been used in developing Tables 2-7 and 2-8. For PWR's not included in Tables 2-4 and 2-5, the appropriate value for r may be determined by the following equation:

$$r = \frac{(FBD)(NBD) + (NS)(FS)(NC)(NX)}{WS} \quad \text{for halogens, Cs, Rb, and other nuclides}$$

TABLE 2-7

ADJUSTMENT FACTORS FOR PWR'S WITH U-TUBE STEAM GENERATORS

Element Class	Adjustment Factors			
	Reactor Water (f)*	Secondary Coolant		
		Water	Steam	
Noble gases	$\frac{162P}{WP} \frac{0.0009 + \lambda^{**}}{R + \lambda}$	--	$\frac{1.5 \times 10^7}{FS}$	f
Halogens	$\frac{162P}{WP} \frac{0.067 + \lambda}{R + \lambda}$	$\frac{4.5 \times 10^5}{WS} \frac{0.17 + \lambda}{r + \lambda}$	f	$\frac{4.5 \times 10^5}{WS} \frac{0.17 + \lambda}{r + \lambda}$ f
Cs, Rb	$\frac{162P}{WP} \frac{0.037 + \lambda}{R + \lambda}$	$\frac{4.5 \times 10^5}{WS} \frac{0.15 + \lambda}{r + \lambda}$	f	$\frac{4.5 \times 10^5}{WS} \frac{0.15 + \lambda}{r + \lambda}$ f
Water activation products	1.0	$\frac{4.5 \times 10^5}{WS}$		$\frac{4.5 \times 10^5}{WS}$
Tritium	***	***		***
Other nuclides	$\frac{162P}{WP} \frac{0.066 + \lambda}{R + \lambda}$	$\frac{4.5 \times 10^5}{WS} \frac{0.17 + \lambda}{r + \lambda}$	f	$\frac{4.5 \times 10^5}{WS} \frac{0.17 + \lambda}{r + \lambda}$ f

* f is the reactor water adjustment factor and is used in the secondary coolant adjustment factors.

** λ is the isotopic decay constant (hr^{-1}).

*** The concentration of tritium is a function of (1) the inventory of tritiated liquids in the plant, (2) the rate of production of tritium due to activation in the reactor coolant as well as releases from the fuel, and (3) the extent to which tritiated water is recycled or discharged from the plant. The tritium concentrations given in Tables 2-2 and 2-3 are representative of PWR's with a moderate amount of tritium recycle and can be used to calculate source terms in accordance with Regulatory Guide 1.112.

TABLE 2-8

ADJUSTMENT FACTORS FOR PWR'S WITH ONCE-THROUGH STEAM GENERATORS

<u>Nuclide</u>	Adjustment Factors	
	<u>Reactor Water (f)*</u>	<u>Secondary Coolant</u>
Noble gases	$\frac{162P}{WP} \frac{0.0009 + \lambda}{R + \lambda}$	$\frac{1.5 \times 10^7}{FS} f$
Halogens	$\frac{162P}{WP} \frac{0.067 + \lambda}{R + \lambda}$	$\frac{10^5}{WS} \left(\frac{27 + \lambda}{r + \lambda} \right) f$
Cs, Rb	$\frac{162P}{WP} \frac{0.037 + \lambda}{R + \lambda}$	$\frac{10^5}{WS} \left(\frac{7.5 + \lambda}{r + \lambda} \right) f$
Water activation products	1.0	$\frac{1.0 \times 10^5}{WS}$
Tritium	**	**
Other nuclides	$\frac{162P}{WP} \frac{0.066 + \lambda}{R + \lambda}$	$\frac{10^5}{WS} \left(\frac{14 + \lambda}{r + \lambda} \right) f$

* f is the reactor water adjustment factor and is used in the secondary coolant adjustment factors.

** The concentration of tritium is a function of (1) the inventory of tritiated liquids in the plant, (2) the rate of production of tritium due to activation in the reactor coolant as well as releases from the fuel, and (3) the extent to which tritiated water is recycled or discharged from the plant. The tritium concentrations given in Tables 2-2 and 2-3 are representative of PWR's with a moderate amount of tritium recycle and can be used to calculate source terms in accordance with the Regulatory Guide 1.112.

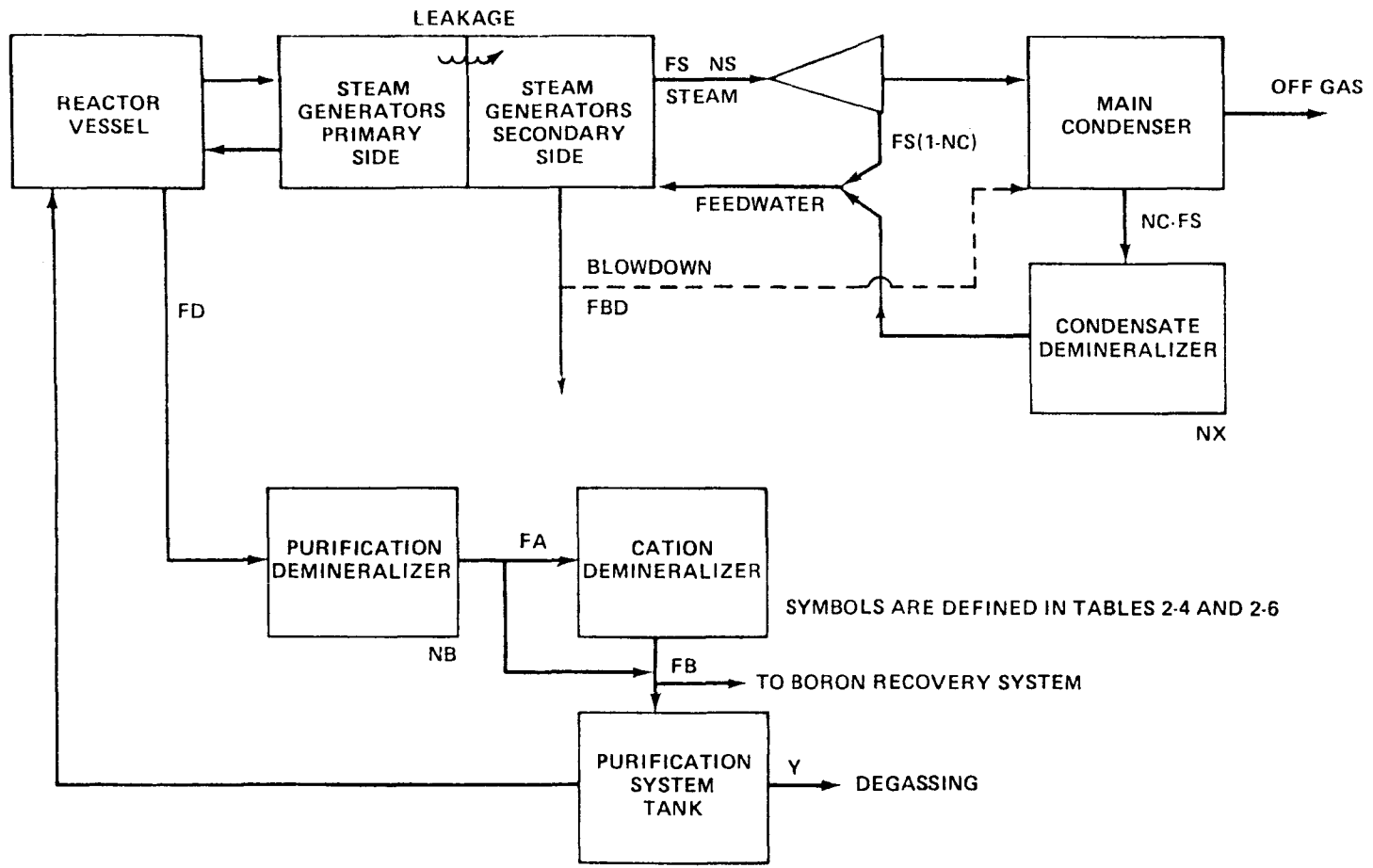


FIGURE 2-1 REMOVAL PATHS FOR PRESSURIZED WATER REACTOR WITH U-TUBE STEAM GENERATORS

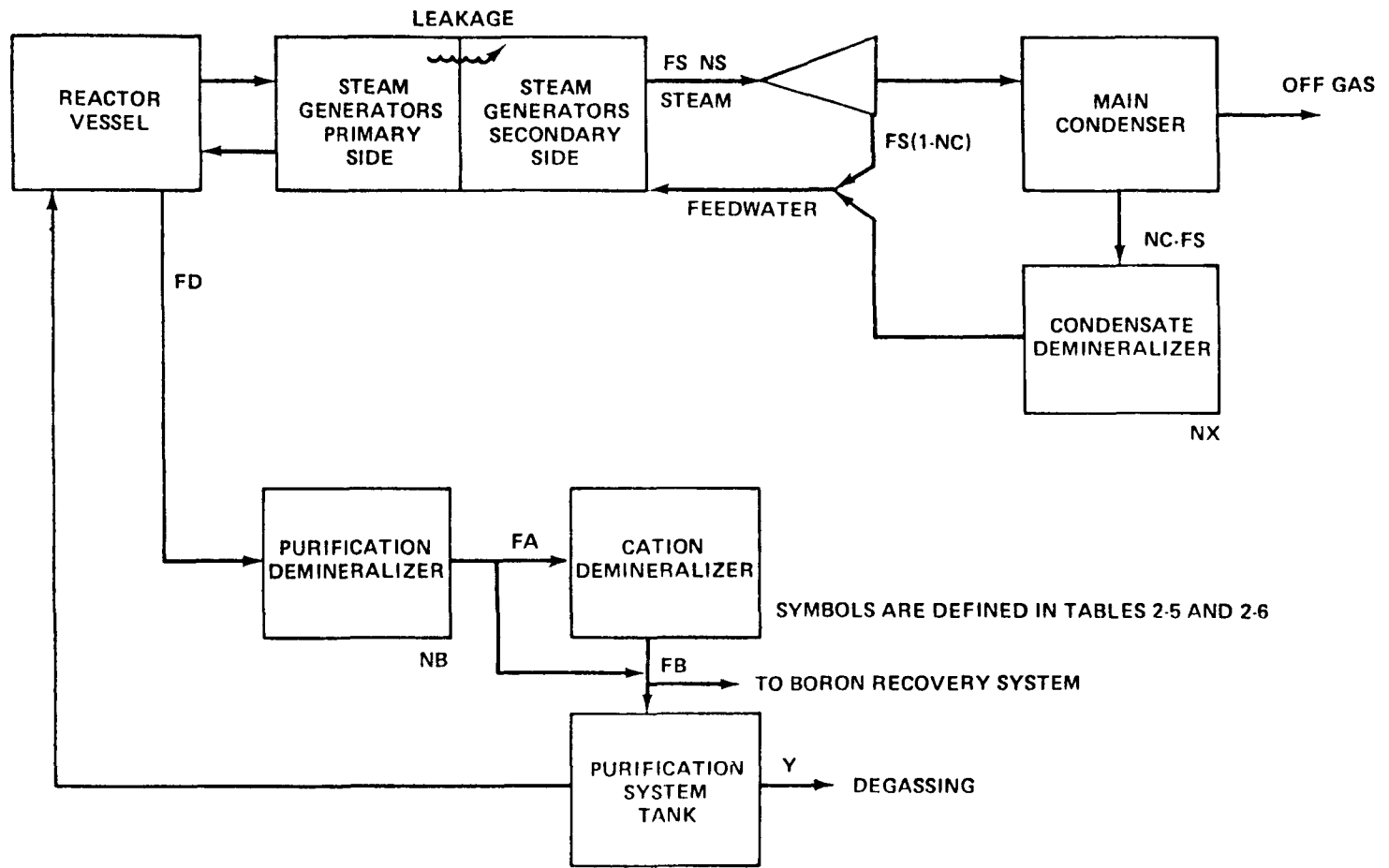


FIGURE 2-2 REMOVAL PATHS FOR PRESSURIZED WATER REACTOR WITH ONCE-THROUGH STEAM GENERATORS

$$C = \frac{S}{w(\lambda + R)K}$$

where

- C is the specific activity (in $\mu\text{Ci/g}$)
- K is a conversion factor, 454 g/lb
- R is the removal rate of the isotope from the system due to demineralization, leakage, etc. (hr^{-1}). (If considering secondary coolant $R = r$).
- s is the rate of release to and/or production of the isotope in the system (in $\mu\text{Ci/hr}$)
- w is the fluid weight (in lb), and
- λ is the decay constant (hr^{-1}).

The following sample calculations illustrate the method by which the PWR-GALE Code will adjust the radionuclide concentrations in Tables 2-2 and 2-3. As indicated in Tables 2-7 and 2-8, adjustment factors will be calculated for noble gases, halogens, Cs, Rb, and other nuclides.

As an example, the sample case parameters shown below compare with the range of values in Table 2-4 as follows.

<u>Parameter (U-tube steam generator PWR)</u>	<u>Value</u>	<u>Range</u>
Thermal power level, Mwt	3800	3000 - 3800
Steam flow rate, lb/hr	17×10^6	$13 \times 10^6 - 17 \times 10^6$
Mass of reactor coolant, lb	5.5×10^5	$5.0 \times 10^5 - 6.0 \times 10^5$
Water weight in all steam generators, lb	4.4×10^5	$4.0 \times 10^5 - 5.0 \times 10^5$
Reactor coolant letdown, lb/hr	4.9×10^4	$3.2 \times 10^4 - 4.2 \times 10^4$
Cation demineralizer flow, lb/hr	4.9×10^3	$0 - 7.5 \times 10^3$
Shim bleed rate - yearly average, lb/hr	650	250 - 1000
Steam generator blowdown flow, lb/hr	60,000	50,000 - 100,000
Fraction of blowdown activity not returned to secondary system	0.99	0.9 - 1.0
Cation demineralizer flow, lb/hr	4900	0.0 - 7500
Condensate demineralizer flow fraction	0.0	0.0 - 0.01
Y (see definition in Table 2-4 and page 1-26)		

Since in this example the parameter for reactor coolant letdown rate (4.9×10^4 lb/hr) is outside the range specified in Table 2-4 ($3.2 - 4.2 \times 10^4$ lb/hr), and the sample case employs continuous purging of the volume control tank, the primary coolant activity is recalculated using the actual design value for all parameters employing the methods described below.

1. Noble Gases (Xe-133 is used as an example)

Using the equation for noble gases in Table 2-7, the adjustment factor, f , is calculated as follows:

$$f = \frac{162P}{WP} \frac{0.0009 + \lambda}{R + \lambda} \quad (1)$$

where the terms in the equations are defined in Tables 2-4 and 2-6.

In calculating f , the variable R is calculated first by using the equation given in Table 2-6 for noble gases

$$R = \frac{FB + (FD - FB)(Y)}{WP} \quad (2)$$

where the terms of the equation are as defined in Tables 2-4 and 2-6.

Use the sample case parameters given above and the noble gas parameters given in Table 2-6 and substitute in Equation (2) above.

$$R = \frac{650 + (4.9 \times 10^4 - 650) \times 0.25}{5.5 \times 10^5} = 0.023$$

Use the value of R in Equation (1) above.

$$f = \frac{162 \times 3800}{5.5 \times 10^5} \frac{0.0009 + 5.5 \times 10^{-3}}{0.023 + 5.5 \times 10^{-3}} = 0.25$$

The adjusted Xe-133 primary coolant concentration

$$\begin{aligned} &= (\text{adjustment factor}) \times (\text{standard Xe-133 concentration}) \\ &= 0.25 \times 2.6 \text{ } \mu\text{Ci/g} = 0.65 \text{ } \mu\text{Ci/g} \end{aligned}$$

2. Halogens (I-131 is used as an example)

Using the equation for halogens in Table 2-7, the adjustment factor, f , is calculated as follows:

$$f = \frac{162P}{WP} \frac{0.067 + \lambda}{R + \lambda} \quad (3)$$

where the terms in the equations are defined in Tables 2-4 and 2-6.

In calculating f, the variable R is calculated first by using the equation given in Table 2-6.

$$R = \frac{(FD)(NB) + (1 - NB)(FB + (FA)(NA))}{WP} \quad (4)$$

where the terms in the equation are as defined in Tables 2-4 and 2-6.

Use the sample case parameters given above and the halogen parameters given in Table 2-6 and substitute in Equation (4) above.

$$R = \frac{(4.9 \times 10^4 \times 0.99) + (1 - 0.99)(650 + (4900)(0.0))}{5.5 \times 10^5} = 0.088$$

Use the value of R in Equation (3) above.

$$f = \frac{162(3800)}{5.5 \times 10^5} \frac{0.067 + 3.6 \times 10^{-3}}{0.088 + 3.6 \times 10^{-3}} = 0.86$$

The adjusted I-131 concentration

$$\begin{aligned} &= (\text{adjustment factor}) \times (\text{standard I-131 concentration}) \\ &= 0.86 \times 0.045 \text{ } \mu\text{Ci/g} = 0.039 \text{ } \mu\text{Ci/g} \end{aligned}$$

3. Cs, Rb (Cs-137 is used as an example)

Using the equation for Cs and Rb in Table 2-7, the adjustment factor, f, is calculated as follows:

$$f = \frac{162P}{WP} \frac{0.037 + \lambda}{R + \lambda} \quad (5)$$

where the terms in the equation are as defined in Tables 2-4 and 2-6.

In calculating f, the variable R is calculated first by using Equation (4) above. The Cs and Rb parameters given in Table 2-6 and the sample case parameters given in Table 2-9 are used in the equation.

$$R = \frac{(4.9 \times 10^4 \times 0.5) + (0.5)(650 + (4900)(0.9))}{5.5 \times 10^5} = 0.05$$

Use the value of R in Equation (5) above.

$$f = \frac{162(3800)}{5.5 \times 10^5} \frac{0.037 + 2.6 \times 10^{-6}}{0.05 + 2.6 \times 10^{-6}} = 0.83$$

The adjusted Cs-137 concentration

$$\begin{aligned} &= (\text{adjustment factor}) \times (\text{standard Cs-137 concentration}) \\ &= 0.83 \times 9.4 \times 10^{-3} \mu\text{Ci/g} = 7.8 \times 10^{-3} \mu\text{Ci/g} \end{aligned}$$

4. Other Nuclides (Te-132 is used as an example)

Using the equation for other nuclides in Table 2-7, the adjustment factor, f, is calculated as follows:

$$f = \frac{162P}{WP} \frac{0.066 + \lambda}{R + \lambda} \quad (6)$$

where the terms in the equation are as defined in Tables 2-4 and 2-6.

In calculating f, the variable R is calculated first by using Equation (4) above. The parameters for other nuclides given in Table 2-6 and the sample case parameters given in Table 2-9 are used in the equation.

$$R = \frac{(4.9 \times 10^4) (0.98) + (1 - 0.98)(650 + (4900)(0.9))}{5.5 \times 10^5} = 0.087$$

Use the value of R in equation (6) above.

$$f = \frac{162 (3800)}{5.5 \times 10^5} \frac{(0.066 + 8.9 \times 10^{-3})}{0.087 + 8.9 \times 10^{-3}} = 0.87$$

The adjusted concentration of Te-132

$$\begin{aligned} &= (\text{adjustment factor}) \times (\text{standard Te-132 concentration}) \\ &= 0.87 \times 1.7 \times 10^{-3} \mu\text{Ci/g} = 1.5 \times 10^{-3} \mu\text{Ci/g} \end{aligned}$$

A similar method is used in the PWR-GALE Code to adjust secondary coolant concentrations for reactors with parameters outside the ranges specified in Tables 2-4 and 2-5.

The radionuclide primary coolant concentrations in Tables 2-2 and 2-3 are based on data submitted by utilities with operating PWR's (Ref. 3). The data are also based on measurements taken by the NRC at Ft. Calhoun (Ref. 4), Zion 1 and 2 (Ref. 5), Turkey Point 3 and 4 (Ref. 6), Rancho Seco (Ref. 43), and Prairie Island 1 and 2 (Ref. 42); by EPRI (Ref. 7) at Three Mile Island 1 and Calvert Cliffs; and by measurements at various other PWR's (Ref. 8, 9, and 39).

These data are summarized in Table 2-9 and Table 2-10 indicating the average value of the nuclide concentration for each plant, the years over which the data was obtained, and the total number of years of data for each nuclide.

The secondary coolant concentrations are based on the primary coolant concentrations as obtained above, on 75 lb/day primary-to-secondary leakage in the steam generators, on appropriate steam generator carryover factors, on the appropriate main steam flow, steam generator blowdown flow and fraction of a blowdown flow returned to the secondary coolant, as defined in the plant design, and on the fraction of the nuclides in the main steam which return to the steam generators.

The secondary coolant concentrations are based on 75 lb/day primary-to-secondary leakage. The primary-to-secondary leakage rate experience for 79 years of experience at operating PWR's is given in Table 2-11. The average primary-to-secondary leakage rate in Table 2-11 is 75 lb/day. Westinghouse estimates that the data in Table 2-11 are accurate within $\pm 25\%$ (Ref. 8, 39).

For plants using recirculating U-tube steam generators, carryover due to mechanical entrainment is based on 0.5% moisture in the steam. Table 2-12 provides measured values for moisture carryover at five operating PWR's that use recirculating U-tube steam generators. Based on data from Turkey Point 3 and 4 (Ref. 6) a value of 1% iodine carryover with the steam is used in our evaluations. For once-through steam generators, it is assumed that 100% of both nonvolatile and volatile species is carried over with the steam since this type of steam generator has no liquid reservoir and 100% of the feed is converted to steam.

For PWR's that use condensate demineralizers in the secondary system, the nominal value of the ratio of the condensate demineralizer flow rate to the total steam flow rate is 0.65. This indicates that the nominal case is a design which utilizes a pumped forward model, that is, one in which the reactor steam flow is split with 65% flowing to the low pressure turbines and the main condenser, and 35% pumped forward to the feedwater. The fraction pumped forward to the feedwater does not undergo any treatment in the condensate demineralizers. We have determined that the iodine, Cs, Rb, and "Other Nuclides" of Table 2-2 and Table 2-3 preferentially go with the "pumped forward" fraction. The reason for this is that these nuclides show a tendency to go with the condensed steam in the moisture separator-reheater drains and with the extraction steam lines from the high pressure turbines to the feedwater system. Based on data provided in Ref. 6, 7, 12 and 13 for Turkey Point, Point Beach and Brunswick, the percentages used in the PWR-GALE Code for the amount of activity which is pumped forward and which bypasses the condensate demineralizers is 80% for iodine and 90% for Cs, Rb, and "Other Nuclides" of Table 2-2 and Table 2-3. Since the remainder of the nuclides listed in Tables 2-2 and 2-3 are not removed in the condensate demineralizers, we have not considered the magnitude of bypass for those nuclides.

TABLE 2-9

SUMMARY OF I-131 AND I-133 PRIMARY COOLANT CONCENTRATIONS IN PWR'S*
($\mu\text{Ci/g}$)

Isotope	H.B. Robinson 2 (1973-1978)**	Arkansas 1 (1976)	D.C. Cook 1 (1976-1978)	Trojan (1977-1978)	Palisades (1972-1976)	Point Beach 1/2 (1972-1979)	R.E. Ginna (1971-1978)
I-131	3.1E-03	7.3E-03	7.8E-03	1.3E-02	1.2E-02	7.7E-02	2.2E-01
I-133	1.2E-02	***	1.8E-02	1.5E-02	1.6E-02	3.6E-01	6.9E-01
Isotope	Fort Calhoun 1 (1976-1977)	Zion 1/2 (1975-1978)	Turkey Point 3/4 (1974-1978)	Three Mile Island 1 (1975-1977)	Calvert Cliffs 1 (1976)	Beaver Valley 1 (1977-1978)	
I-131	1.8E-01	2.3E-02	2.1E-02	2.1E-02	3.6E-02	1.8E-03	
I-133	1.6E-01	6.9E-02	6.9E-02	***	***	5.5E-03	
Isotope	Indian Point 2/3 (1975-1978)	Kewaunee (1975-1978)	Prairie Island 1/2 (1975-1981)	Surry 1/2 (1973-1978)	J.M. Farley 1 (1978)	Yankee Rowe (1975)	Rancho Seco (1978)
I-131	2.5E-02	5.3E-03	8.1E-03	2.1E-02	5.4E-04	4.9E-03	1.3E-02
I-133	5.1E-02	1.3E-02	1.0E-02	3.2E-02	1.9E-03	2.4E-02	4.7E-02

* Data in this table are based on I-131 and I-133 primary coolant concentrations in Ref. 3 through 9, 42 and 43, and have been adjusted to the NSS parameters listed in Table 2-4 of this report. These adjustments were made using the individual plant parameters and the nominal plant parameters (Table 2-4) and adjusting the actual coolant concentration using the equations in Table 2-7 of this report.

** Data in this table were gathered during the indicated inclusive dates. It does not necessarily imply that data were available during each of the years covered by the period, nor does it mean that the number of data points should be the same for each radionuclide.

*** No value reported.

TABLE 2-10

SUMMARY OF RADIONUCLIDE PRIMARY COOLANT CONCENTRATIONS IN PWR'S*
($\mu\text{Ci/g}$)

Isotope	H.B. Robinson 2 (1973-1978)**	Arkansas 1 (1976)	D.C. Cook 1 (1976-1978)	Trojan (1977-1978)	Palisades (1972-1976)	Point Beach 1/2 (1972-1979)	R.E. Ginna (1971-1978)
Kr-85m	1.8E-02	8.0E-03	3.4E-02	2.2E-02	4.0E-01	2.2E-01	2.4E-01
Kr-85	***	5.2E-03	***	3.5E+00	8.3E-04	2.9E-02	***
Kr-87	1.7E-02	6.7E-03	4.7E-02	4.2E-02	4.6E-01	1.1E-01	3.8E-01
Kr-88	2.3E-02	1.3E-02	5.7E-02	4.0E-02	7.5E-01	3.0E-01	6.3E-01
Xe-131m	***	***	***	***	4.4E+00	9.4E-01	***
Xe-133m	1.6E-03	3.3E-03	1.5E-02	2.7E-03	1.9E-01	6.5E-02	***
Xe-133	2.3E-01	2.1E-01	5.8E-01	5.7E-01	4.9E+00	2.8E+00	6.0E+00
Xe-135m	2.1E-02	***	***	***	1.0E-02	1.4E-01	1.5E-01
Xe-135	7.8E-02	2.7E-02	1.9E-01	1.2E-01	1.1E+00	1.1E+00	2.2E+00
Xe-137	***	***	***	***	***	***	***
Xe-138	***	***	***	6.7E-02	2.2E-03	1.7E-01	***
Br-84	***	***	***	***	***	***	***
I-132	1.5E-02	***	***	1.9E-02	7.1E-03	3.6E-01	7.3E-01
I-134	3.2E-02	***	2.4E-02	2.2E-02	1.0E-02	6.2 E-01	1.2E+00
I-135	1.9E-02	***	2.0E-02	1.7E-02	9.2E-03	5.7E-01	6.6E-01
Rb-88	***	***	***	3.5E-02	2.6E-02	1.7E-01	3.7E-01
Cs-134	1.9E-03	5.6E-04	2.7E-03	6.0E-04	1.7E-04	1.4E-02	1.1E-02
Cs-136	3.1E-04	***	5.2E-03	7.2E-04	4.6E-05	2.2E-03	***
Cs-137	2.3E-03	1.5E-03	4.9E-03	1.3E-03	2.6E-04	1.1E-02	3.1E-02
N-16	***	***	***	***	***	***	***
H-3	***	6.3E-02	2.1E-01	***	7.5E-02	5.0E-01	6.7E-01
Na-24	1.3E-01	8.7E-02	1.2E-02	1.3E-02	5.6E-03	7.6E-02	***
Cr-51	3.5E-04	3.2E-03	***	***	9.1E-03	***	1.1E-04
Mn-54	3.4E-04	7.6E-04	8.3E-03	9.7E-04	1.1E-04	2.8E-03	2.5E-05
Fe-55	***	***	***	***	***	***	***
Fe-59	1.4E-05	1.6E-03	***	***	1.6E-04	***	2.6E-05
Co-58	1.3E-03	7.0E-03	1.4E-02	2.2E-03	3.4E-03	9.6E-03	7.6E-04
Co-60	3.5E-04	6.4E-04	4.5E-03	3.4E-05	1.1E-04	2.3E-04	1.6E-04
Zn-65	1.7E-05	***	***	***	7.0E-05	***	***
Sr-89	2.3E-05	***	***	***	***	2.4E-04	***
Sr-90	5.2E-06	***	***	***	1.1E-04	***	***

TABLE 2-10 (continued)

SUMMARY OF RADIONUCLIDE PRIMARY COOLANT CONCENTRATIONS IN PWR'S*
(μ Ci/g)

Isotope	H.B. Robinson 2 (1973-1978)**	Arkansas 1 (1976)	D.C. Cook 1 (1976-1978)	Trojan (1977-1978)	Palisades (1972-1976)	Point Beach 1/2 (1972-1979)	R.E. Ginna (1971-1978)
Sr-91	4.9E-04	***	***	***	1.1E-04	***	***
Y-91m	***	***	***	***	***	***	***
Y-91	***	***	***	***	***	***	***
Y-93	***	***	***	***	***	***	***
Zr-95	1.3E-05	3.4E-04	4.5E-03	***	1.0E-04	***	1.5E-03
Nb-95	1.3E-05	3.1E-04	2.4E-03	***	7.6E-05	3.6E-04	8.1E-05
Mo-99	***	7.2E-05	***	***	5.7E-04	3.8E-02	4.1E-04
Tc-99m	***	***	***	***	7.3E-04	2.5E-02	***
Ru-103	***	***	***	***	***	***	1.2E-03
Ru-106	***	***	***	***	***	***	***
Ag-110m	***	***	***	***	***	8.8E-03	***
Te-129m	***	***	***	***	***	***	***
Le-129	***	***	***	***	***	***	***
Te-131m	***	***	***	***	***	***	***
Te-131	***	***	***	***	***	***	***
Te-132	***	1.3E-03	***	***	6.6E-05	8.8E-03	***
Ba-140	2.0E-04	***	***	***	6.2E-06	1.6E-01	5.9E-05
La-140	9.2E-05	***	***	***	3.0E-05	5.2E-01	***
Ce-141	***	***	***	***	***	***	***
Ce-143	***	***	***	***	***	***	***
Ce-144	2.6E-04	1.4E-03	***	***	***	4.5E-02	***
W-187	3.4E-04	***	***	***	5.8E-04	***	***
Np-239	***	***	***	***	***	***	2.0E-03

TABLE 2-10 (continued)

SUMMARY OF RADIONUCLIDE PRIMARY COOLANT CONCENTRATIONS IN PWR'S*
($\mu\text{Ci/g}$)

Isotope	Fort Calhoun 1 (1976-1977)	Zion 1/2 (1975-1978)	Turkey Point 3/4 (1974-1978)	Indian Pt 2/3 (1975-1978)	Yankee Rowe (1975)	Calvert Cliffs 1 (1976)	Three Mile Island 1 (1975-1977)	Prairie Island 1/2 (1981)	Rancho Seco (1979)
Kr-85m	1.9E-01	***	7.8E-02	3.4E-02	5.7E-03	***	***	4.9E-04	5.5E-02
Kr-85	3.4E-02	***	***	***	***	***	***	3.3E-04	2.2E-01
Kr-87	1.9E-01	***	9.0E-02	***	7.6E-03	***	***	1.1E-03	5.9E-02
Kr-88	3.2E-01	***	1.3E-01	7.3E-02	1.9E-02	***	***	1.1E-03	9.9E-02
Xe-131m	6.8E-02	***	1.2E-03	***	***	***	***	4.2E-05	3.5E-03
Xe-133m	1.6E-01	***	9.1E-03	***	***	***	***	7.2E-05	4.5E-02
Xe-133	6.7E+00	***	8.8E-01	8.3E-01	2.1E-01	***	***	2.2E-03	1.5E+00
Xe-135m	9.5E-02	***	1.7E-01	1.0E-01	***	***	***	1.4E-03	6.0E-01
Xe-135	9.3E-01	***	5.1E-01	1.9E-01	3.0E-02	***	***	3.6E-03	4.6E-01
Xe-137	***	***	3.4E-02	***	***	***	***	***	***†
Xe-138	1.8E-01	***	7.6E-02	***	***	***	***	2.9E-03	1.7E-01
Br-84	***	***	1.1E-02	***	***	***	***	1.0E-03	5.5E-02
I-132	7.1E-02	9.6E-02	9.3E-02	***	1.8E-02	***	***	5.1E-03	5.3E-02
I-134	3.8E-02	1.3E-01	1.5E-01	***	***	***	***	9.0E-03	8.3E-02
I-135	7.4E-02	1.1E-01	8.6E-02	***	***	***	***	5.8E-03	6.0E-02
Rb-88	5.0E-01	2.3E-01	1.0E-01	***	***	***	***	5.7E-03	1.5E-01
Cs-134	1.8E-02	9.4E-03	1.8E-03	1.9E-02	***	***	***	2.2E-05	7.7E-03
Cs-136	1.7E-03	1.2E-03	1.1E-04	***	***	***	***	3.2E-06	1.9E-04
Cs-137	2.0E-02	1.2E-02	3.1E-03	2.4E-02	***	***	***	6.7E-05	9.4E-03
N-16	***	***	***	***	***	***	***	***	***
H-3	1.3E-01	1.5E-01	***	***	***	4.4E-02	1.2E-01	2.9E-01	2.5E-01
Na-24	8.8E-03	1.0E-01	1.0E-02	3.6E-03	***	***	***	9.0E-03	1.4E-02
Cr-51	1.5E-02	2.1E-03	3.4E-04	***	1.7E-03	***	***	3.0E-05	6.4E-03
Mn-54	4.4E-03	2.2E-03	3.9E-05	1.5E-02	1.1E-04	***	***	1.0E-05	6.8E-04
Fe-55	6.5E-04	1.6E-04	***	***	***	***	***	2.1E-05	9.1E-03
Fe-59	5.2E-04	6.2E-04	2.3E-04	***	6.9E-04	***	***	1.5E-06	5.2E-04
Co-58	1.4E-02	4.6E-03	6.7E-04	3.6E-03	5.8E-04	***	***	8.0E-05	2.4E-02
Co-60	1.0E-03	7.8E-04	1.2E-04	3.1E-03	4.7E-04	***	***	1.6E-05	9.2E-04
Zn-65	2.6E-03	2.4E-03	1.6E-05	***	***	***	***	1.7E-06	2.2E-05
Sr-89	6.8E-04	7.7E-05	6.8E-07	***	***	***	***	6.6E-06	***
Sr-90	4.2E-06	3.4E-06	1.6E-06	***	***	***	***	5.4E-08	***

TABLE 2-10 (continued)

SUMMARY OF RADIONUCLIDE PRIMARY COOLANT CONCENTRATIONS IN PWR'S*
($\mu\text{Ci/g}$)

Isotope	Fort Calhoun 1 (1976-1977)	Zion 1/2 (1975-1978)	Turkey Point 3/4 (1974-1978)	Indian Pt 2/3 (1975-1978)	Yankee Rowe (1975)	Calvert Cliffs 1 (1976)	Three Mile Island 1 (1975-1977)	Prairie Island 1/2 (1981)	Rancho Seco (1979)
Sr-91	***	3.8E-03	3.7E-04	***	***	***	***	3.3E-05	7.2E-04
Y-91m	***	8.7E-04	***	***	***	***	***	5.0E-05	***
Y-91	5.0E-06	4.4E-06	***	***	***	***	***	4.3E-07	1.8E-05
Y-93	***	7.9E-03	2.2E-03	***	***	***	***	2.1E-04	2.6E-03
Zr-95	1.5E-03	4.2E-04	4.5E-05	***	2.8E-04	***	***	4.6E-06	2.9E-04
Nb-95	1.3E-03	2.2E-04	3.8E-05	***	2.4E-04	***	***	3.9E-06	4.6E-04
Mo-99	5.7E-03	3.5E-03	8.1E-04	***	5.0E-03	***	***	1.3E-04	1.7E-03
Tc-99m	4.1E-04	***	2.7E-06	***	4.9E-03	***	***	***	***
Ru-103	5.4E-02	1.8E-04	2.1E-05	***	***	***	***	6.7E-07	7.0E-05
Ru-106	***	9.0E-02	***	***	***	***	***	***	***
Ag-110m	2.2E-04	3.1E-03	1.1E-05	***	***	***	***	3.7E-06	9.7E-05
Te-129m	2.1E-04	3.8E-04	1.9E-04	***	***	***	***	2.0E-06	***
Te-129	***	***	2.4E-02	***	***	***	***	***	***
Te-131m	***	2.1E-03	3.7E-04	***	***	***	***	***	***
Te-131	***	***	7.9E-03	***	***	***	***	***	7.4E-03
Te-132	***	1.8E-04	4.0E-05	***	***	***	***	1.2E-06	3.1E-05
Ba-140	1.1E-03	1.0E-03	1.1E-04	***	***	***	***	1.9E-05	2.5E-04
La-140	4.2E-04	1.8E-03	1.3E-04	***	***	***	***	1.4E-05	1.1E-04
Ce-141	4.3E-04	1.1E-04	1.7E-05	***	***	***	***	***	4.6E-05
Ce-143	8.2E-03	4.6E-04	4.9E-05	***	***	***	***	1.9E-05	***
Ce-144	***	1.4E-04	1.2E-05	***	2.6E-05	***	***	5.4E-06	4.6E-04
W-187	1.4E-02	3.1E-03	3.0E-04	***	***	***	***	1.1E-04	2.9E-03
Np-239	1.2E-02	9.3E-04	1.0E-04	***	***	***	***	3.7E-06	7.6E-04

* See Footnote of Table 2-9.

** See Footnote of Table 2-9.

*** See Footnote of Table 2-9.

† Data unreliable.

TABLE 2-11

MONTHLY AVERAGE* PRIMARY/SECONDARY LEAKAGE (REF. 8, 39)
 (gal/day at 70°F; density = 8.3 lb/gal)

Plant	1970											
	J	F	M	A	M	J	J	A	S	O	N	D
San Onofre	4	4	4	4	3	9	11	8	14	S**	S	0
Connecticut Yankee	0	10	0	S	0	0	20	10	20	0	0	0
R. E. Ginna							0	0	0	0	0	0
Point Beach 1												0

Plant	1971											
	J	F	M	A	M	J	J	A	S	O	N	D
San Onofre	0	0	0	0	0	0	0	0	0	0	0	0
Connecticut Yankee	0	30	15	0	0	10	20	20	15	40	40	40
R. E. Ginna	0	0	S	S	0	0	0	0	0	0	0	0
H. B. Robinson			S	S	S	S	S	S	0	50	55	20
Point Beach 1	0	0	0	10	90	100	53	30	20	20	20	20

Plant	1972											
	J	F	M	A	M	J	J	A	S	O	N	D
San Onofre	S	0	0	0	0	0	22	0	10	30	4	31
Connecticut Yankee	40	40	40	40	40	S	0	0	0	0	0	0
R. E. Ginna	0	0	0	S	S	0	0	0	0	S	0	0
H. B. Robinson	60	60	60	60	3	0	0	0	0	0	0	0
Point Beach 1	40	50	55	55	55	55	55	55	55	S	S	S
Point Beach 2										0	0	0
Surry 1												0
Turkey Point 3												0

* Leakage values listed begin with the first year of commercial operation.

** Shutdown not included in average.

NA - Not Available.

TABLE 2-11 (continued)

MONTHLY AVERAGE* PRIMARY/SECONDARY LEAKAGE
(gal/day at 70°F; density = 8.3 lb/gal)

Plant	1973											
	J	F	M	A	M	J	J	A	S	O	N	D
San Onofre	3	3	0	0	0	0	0	0	0	0	S	S
Connecticut Yankee	0	0	0	0	10	S	0	S	S	S	S	0
R. E. Ginna	0	0	0	0	0	0	0	0	0	0	0	0
H. B. Robinson	6	6	6	S	0	0	1	1	1	1	7	5
Point Beach 1	S	S	0	0	0	0	0	0	0	0	0	0
Point Beach 2	0	0	0	0	0	0	0	0	0	0	0	0
Surry 1	0	0	0	0	0	0	0	0	0	0	0	0
Turkey Point 3	0	0	0	0	0	0	0	0	0	0	0	0
Surry 2					0	0	0	0	0	0	0	0
Turkey Point 4									0	0	0	0
Plant	1974											
	J	F	M	A	M	J	J	A	S	O	N	D
San Onofre	0	44	60	60	0	0	0	0	0	2	2	2
Connecticut Yankee	0	0	0	S	0	0	0	0	0	0	0	0
R. E. Ginna	S	S	S	0	0	0	0	0	0	0	0	0
H. B. Robinson 2	2	10	112	98	NA	19	2	1	1	1	1	1
Point Beach 1	0	0	0	S	0	0	0	0	0	0	0	0
Point Beach 2	0	0	0	0	0	0	0	0	0	0	S	S
Surry 1	S	S	0	0	0	115	55	115	115	4	S	S
Turkey Point 3	0	0	0	0	0	0	0	NA	NA	S	S	S
Surry 2	0	0	0	0	S	38	0	0	0	S	S	S
Turkey Point 4	S	0	0	0	0	0	0	22	0	0	0	0
Zion 1	S	S	S	0	0	0	S	S	0	0	0	0
Zion 2									0	0	0	0
Indian Point 2								0	0	0	0	0
Prairie Island 1						0	0	0	0	0	0	0

TABLE 2-11 (continued)

MONTHLY AVERAGE* PRIMARY/SECONDARY LEAKAGE
(gal/day at 70°F; density = 8.3 lb/gal)

Plant	1975											
	J	F	M	A	M	J	J	A	S	O	N	D
San Onofre	2	2	2	2	3	5	0	0	0	0	0	0
Connecticut Yankee	0	0	0	0	0	S	0	0	0	0	0	0
R. E. Ginna	0	0	3	S	0	0	0	0	0	0	0	0
H. B. Robinson 2	1	1	1	3	1	5	3	2	0	0	S	7
Point Beach 1	0	61	S	0	1	2	2	2	1	2	S	S
Point Beach 2	0	0	0	0	0	0	0	1	0	0	0	0
Surry 1	S	0	0	0	0	0	0	0	125	S	S	26
Turkey Point 3	0	0	0	0	0	0	0	0	0	0	S	S
Surry 2	0	0	0	0	S	0	0	0	0	0	0	0
Turkey Point 4	0	0	0	S	S	S	7	20	79	0	0	50
Zion 1	0	0	S	0	0	S	0	0	S	0	0	0
Zion 2	0	S	0	0	0	S	0	0	S	0	0	0
Indian Point 2	0	102	S	0	0	0	0	0	0	S	0	0
Prairie Island 1	0	0	0	0	0	0	0	0	0	0	0	0
Prairie Island 2	0	0	0	0	0	0	0	0	0	0	0	0
Cook 1									0	0	0	0

TABLE 2-11 (continued)

MONTHLY AVERAGE* PRIMARY/SECONDARY LEAKAGE
(gal/day at 70°F; density = 8.3 lb/gal)

Plant	1976											
	J	F	M	A	M	J	J	A	S	O	N	D
San Onofre	0	0	0	0	0	0	46	0	0	S	S	S
Connecticut Yankee	0	0	0	0	S	S	0	0	0	S	0	0
R. E. Ginna	0	S	S	14	0	0	0	S	0	S	0	0
H. B. Robinson 2	2	1	1	1	2	1	2	2	2	6	S	S
Point Beach 2	32	200	5	29	10	12	13	21	23	25	25	25
Surry 1	0	0	28	86	NA	19	39	14	33	1	S	S
Turkey Point 3	12	6	14	0	11	19	0	12	1	S	S	S
Surry 2	95	31	10	0	S	0	0	0	6	S	S	200
Turkey Point 4	62	0	0	S	S	S	0	0	80	42	S	0
Zion 1	0	0	S	S	S	S	0	0	0	S	0	0
Zion 2	S	S	0	S	S	0	0	0	0	S	0	0
Indian Point 2	0	0	0	S	S	S	S	S	S	139	S	S
Prairie Island 1	0	0	S	S	0	0	0	0	0	0	0	0
Prairie Island 2	S	0	0	0	0	0	0	0	0	S	S	S
Cook 1	0	0	0	S	S	0	0	0	0	0	0	0
Trojan					0	S	S	S	0	S	S	0
Indian Point 3								0	S	0	0	0
Point Beach 1	0	0	3	3	3	2	3	3	3	S	S	0

TABLE 2-11 (continued)

MONTHLY AVERAGE* PRIMARY/SECONDARY LEAKAGE
(gal/day at 70°F; density = 8.3 lb/gal)

Plant	1977											
	J	F	M	A	M	J	J	A	S	O	N	D
San Onofre	S	S	S	0	0	1	2	2	S	0	2	1
Connecticut	0	0	0	0	0	0	0	0	0	S	S	0
R. E. Ginna	0	0	0	S	S	0	0	0	0	0	0	0
H. B. Robinson 2	1	1	0	1	1	0	0	1	0	6	41	52
Point Beach 1	4	5	3	6	3	5	5	5	4	S	8	7
Point Beach 2	25	35	33	S	0	0	0	0	0	0	0	0
Surry 1	S	77	144	53	0	0	0	26	58	58	21	0
Turkey Point 3	0	0	0	0	0	0	0	28	72	72	56	S
Surry 2	548	360	S	0	NA	18	10	8	4	0	14	0
Turkey Point 4	23	29	71	96	7	S	S	0	0	4	0	0
Zion 1	0	0	0	0	0	0	0	0	S	S	S	0
Zion 2	S	S	S	0	0	0	0	0	0	0	0	0
Indian Point 2	0	0	0	S	0	0	S	0	0	0	0	0
Prairie Island 1	0	0	0	S	0	0	0	0	0	0	0	0
Prairie Island 2	0	0	0	0	0	0	0	0	0	1	S	S
Cook 1	S	S	0	0	0	0	0	0	0	0	0	0
Trojan	0	0	0	0	S	S	0	0	0	0	0	0
Indian Point 3	0	0	0	0	0	0	0	0	0	S	S	S
Beaver Valley 1				0	0	S	0	0	S	S	0	0
Salem 1							0	0	0	S	S	0
Farley 1												0

TABLE 2-11 (continued)

MONTHLY AVERAGE* PRIMARY/SECONDARY LEAKAGE
(gal/day at 70°F; density = 8.3 lb/gal)

Plant	1978						Average,* gal/day
	J	F	M	A	M	J	
San Onofre	1	1	1	S	1	1	4.6
Connecticut Yankee	0	0	0	0	0	0	5.7
R. E. Ginna	4	0	0	S	S	0	0.27
H. B. Robinson 2	441	S	S	18	88	190	21
Point Beach 1	20	7	7	7	120	7	15
Point Beach 2	0	0	0	S	0	0	7.9
Surry 1	0	0	0	0	S	S	22
Turkey Point 3	S	0	0	0	0	0	5.5
Surry 2	0	46	278	0	0	0	32.
Turkey Point 4	36	193	0	0	0	0	17.
Zion 1	0	0	0	0	0	0	0
Zion 2	0	S	S	S	S	0	0
Indian Point 2	0	S	S	S	S	0	7.8
Prairie Island 1	0	0	0	S	0	0	0
Prairie Island 2	0	0	0	0	0	0	0.03
Cook 1	0	0	0	S	S	S	0
Trojan	2	2	2	S	S	S	0.38
Indian Point 3	0	0	0	0	0	S	0
Beaver Valley 1	0	0	0	0	S	S	0
Salem 1	0	0	0	S	S	S	0
Farley 1	0	0	0	0	0	0	0
Operation Weighted Average							9

* Average daily value for each reactor is obtained by the sum of the total monthly leakage rates divided by the total number of days in operation.

TABLE 2-12
MOISTURE CARRYOVERS IN RECIRCULATING U-TUBE
STEAM GENERATORS*

<u>Facility</u>	<u>Percent Carryovers</u>	<u>Reference</u>
Palisades	0.08	10, 11
Kansai	0.05	10, 11
Point Beach	0.2	8, 12
Turkey Point 3	0.6	6
Turkey Point 4	1.6	6
Average	0.5	

* Measurement based on Na concentration.

The category "Other Nuclides" includes Mo, Y, and Tc which are generally present in colloidal suspensions or as "crud." Although the actual removal mechanism for Y, Mo, and Tc is expected to be plateout or filtration, the quantitative effect of removal is expected to be commensurate with the removal of ionic impurities by ion exchange (within the accuracy of the calculations) and consequently plateout of these nuclides is included in the parameters for ion exchange.

2.2.4 IODINE RELEASES FROM BUILDING VENTILATION SYSTEMS

2.2.4.1 Parameter

The iodine releases from building ventilation systems prior to treatment are calculated by the PWR-GALE Code using the data in Tables 1-1, Tables 2-2 through 2-8 and 2-13 through 2-16.

2.2.4.2 Bases

The iodine-131 releases from building ventilation systems are based on measurements made at a number of operating reactors. The measurements were made during routine plant operation and during plant shutdowns. Work on identifying sources of radioiodine at PWR's has been conducted by C. Pelletier, et al. (Ref. 7) for the Electric Power Research Institute (EPRI), at three operating PWR's; Ginna, Calvert Cliffs 1, and Three Mile Island 1. Measurements have also been made by EG&G Idaho, Inc., Allied Chemical Corp., Idaho National Engineering Laboratory, for the U. S. Nuclear Regulatory Commission at Fort Calhoun (Ref. 4), Zion 1 and 2 (Ref. 5), Turkey Point 3 and 4 (Ref. 6), Prairie Island (Ref.42), and Rancho Seco (Ref. 43).

These measurements indicate that iodine-131 building vent releases are directly related to the reactor coolant iodine-131 concentration. As a result, the releases of iodine are expressed as "normalized" releases, that is, the absolute measured release rate in Ci/yr is divided by the reactor coolant concentration in $\mu\text{Ci/g}$ to give a "normalized" release rate of iodine-131 in $\text{Ci/yr}/\mu\text{Ci/g}$ as shown in the following equation:

$$R_N = \frac{R_A}{C_{RW}}$$

where

R_N = normalized release rate of iodine-131, $\text{Ci/yr}/\mu\text{Ci/g}$

R_A = absolute (measured) iodine-131 release rate, Ci/yr

C_{RW} = measured reactor water iodine-131 concentration, $\mu\text{Ci/g}$

TABLE 2-13

ANNUAL IODINE NORMALIZED RELEASES
FROM CONTAINMENT VENTILATION SYSTEMS†

NORMAL OPERATION LEAK RATE*

<u>Data Source</u>	<u>Normalized Release/Unit</u> <u>10⁻³ %/day</u>
Ft. Calhoun (Ref. 4)	0.0014
Three Mile Island 1 (Ref. 7)	2.5
Turkey Point 3/4 (Ref. 6)	0.9
Main Yankee (Ref. 16)	0.1
Ginna (Ref. 19)	0.064
Yankee Rowe (Ref. 14, 16)	1.0
Prairie Island 1/2 (Ref. 42)	0.005
Rancho Seco (Ref. 43)	2.56
Average	0.80

RELEASE FOR EXTENDED OUTAGES**

<u>Data Source</u>	<u>Normalized Release/Unit</u> <u>(Ci/yr/μCi/g)</u>
Three Mile Island 1 (Ref. 7)	0.44
Calvert Cliffs 1 (Ref. 7)	0.19
Average	0.32

* The normalized release rate, expressed in %/day of leakage of primary coolant inventory of iodine, represents the effective leak rate for radioiodine. It is the combination of the reactor water leakage rate into the buildings, and the partitioning of the radioiodine between the water phase in the leakage and the gas phase where it is measured.

** The normalized release rate, expressed in Ci/yr/μCi/g, represents the effective leak rate for radioiodine. It is the combination of the reactor water iodine leakage rate into the buildings, and the partitioning of the radioiodine between the water phase in the leakage and the gas phase where it is measured.

† These results were obtained using ¹³¹I data. The normalized release rates are applicable to both ¹³¹I and ¹³³I.

TABLE 2-14

ANNUAL IODINE NORMALIZED RELEASES*
FROM AUXILIARY BUILDING VENTILATION SYSTEMS†

NORMAL OPERATION

<u>Data Source</u>	<u>Normalized Release/Unit (Ci/yr/μCi/g)</u>
Zion 1/2 (Ref. 5)	1.0
Fort Calhoun (Ref. 4)	0.12
Ginna (Ref. 7)	0.032
Calvert Cliffs 1 (Ref. 7)	0.57
Three Mile Island 1 (Ref. 7)	0.034
Turkey Point 3/4 (Ref. 6)	1.85
Prairie Island 1/2 (Ref. 42)	0.013
Rancho Seco (Ref. 43)	<u>0.97</u>
Average	0.68

SHUTDOWN

<u>Data Source</u>	<u>Normalized Release/Unit (Ci/yr/μCi/g)</u>
Ginna (Ref. 7)	0.08
Calvert Cliffs 1 (Ref. 7)	0.016
Three Mile Island 1 (Ref. 7)	0.14
Turkey Point 3/4 (Ref. 6)	6.8
Rancho Seco (Ref. 43)	<u>1.14</u>
Average	2.50

* The normalized release rate, expressed in Ci/yr/ μ Ci/g during different modes of operation, represents the effective leak rate for radioiodine. It is the combination of the reactor water iodine leakage rate into the buildings and the partitioning of the radioiodine between the water phase in the leakage and the gas phase where it is measured.

† These results were obtained using ^{131}I data. The normalized release rates are applicable to both ^{131}I and ^{133}I .

TABLE 2-15

ANNUAL IODINE NORMALIZED RELEASES*
FROM REFUELING AREA VENTILATION SYSTEMS†

NORMAL OPERATION

<u>Data Source</u>	<u>Normalized Release/Unit (Ci/yr/μCi/g)</u>
Ginna (Ref. 7)	0.008
Calvert Cliffs 1 (Ref. 7)	0.049
Three Mile Island 1 (Ref. 7)	0.0012
Turkey Point 3 (Ref. 6)	0.16
Prairie Island 1/2 (Ref. 42)	0.019
Rancho Seco (Ref. 43)	0.01
Average	0.038

SHUTDOWN

<u>Data Source</u>	<u>Normalized Release/Unit (Ci/yr/μCi/g)</u>
Ginna (Ref. 7)	0.014
Calvert Cliffs 1 (Ref. 7)	0.039
Three Mile Island 1 (Ref. 7)	0.06
Turkey Point 3 (Ref. 6)	0.05
Rancho Seco (Ref. 43)	0.30
Average	0.093

* The normalized release rate, expressed in Ci/yr/ μ Ci/g during different modes of operation, represents the effective leak rate for radioiodine. It is the combination of the reactor water iodine leakage rate into the building, and the partitioning of the radioiodine between the water phase in the leakage and the gas phase where it is measured.

† These results were obtained using ^{131}I data. The normalized release rates are applicable to both ^{131}I and ^{133}I .

TABLE 2-16*

ANNUAL IODINE NORMALIZED RELEASES**
FROM TURBINE BUILDING VENTILATION SYSTEMS†

NORMAL OPERATION

<u>Data Source</u>	<u>Normalized Release/Unit (Ci/yr/μCi/g)</u>
Monticello	3.1×10^3
Oyster Creek	6.0×10^3
Vermont Yankee	0.35×10^3
Pilgrim	8.5×10^3
Browns Ferry	1.3×10^3
References 3, 5 of Ref. 15	3.3×10^3
Average	3.8×10^3

EXTENDED SHUTDOWN

<u>Data Source</u>	<u>Normalized Release/Unit (Ci/yr/μCi/g)</u>
Monticello	1.7×10^2
Oyster Creek	3.5×10^2
Vermont Yankee	0.63×10^2
Browns Ferry	1.3×10^2
References 3, 5 of Ref. 15	1.4×10^3
Average	4.2×10^2

* The data in this table are taken from Table 2-8, NUREG-0016, Revision 1, January 1979 (Ref. 15).

** The normalized release rate, expressed in Ci/yr/ μ Ci/g during different modes of operation represents the effective leak rate for radioiodine. It is a function of iodine leak rate via steam and the partition coefficient for radioiodine from reactor water to steam in the reactor vessel.

† These results were obtained using ^{131}I data. The normalized release rates are applicable to both ^{131}I and ^{133}I .

The normalized reactor water release rate, expressed in Ci/yr/ μ Ci/g represents an effective leak rate for reactor water containing iodine. It is the combination of the water leakage rate into the building and the effect of iodine partitioning between the water phase in the systems leakage and the vapor phase in the building atmosphere.

For the turbine building, the secondary coolant iodine releases are directly related to the secondary coolant iodine-131 concentration. Therefore, for the turbine building, the normalized iodine release, R_N , is determined using the following expression:

$$R_N = \frac{R_A}{C_{RW} \times PC}$$

where

R_N = normalized release rate of secondary coolant water containing iodine-131, Ci/yr/ μ Ci/g

R_A = absolute (measured) iodine-131 release rate, Ci/yr

C_{RW} = measured secondary coolant iodine-131 concentration, μ Ci/g

PC = measured iodine partition coefficient from secondary coolant water to steam.

The normalized release rate is used to estimate the release from PWR's since this expression for release rate is least variable with time for a given mode of operation. For this reason, it is useful in the determination of releases from PWR's.

Data on normalized release rates from the three reactors used in the EPRI study and the five reactors used in the NRC sponsored study are given for normal operation and shutdown periods in Tables 2-13 through 2-15, for the containment building, auxiliary building and refueling area, respectively. Also given in Table 2-13 is the normalized value of the iodine release data discussed in NUREG-0017, April 1976 (Ref. 14). For Table 2-16, it was considered that since the basic design and operation of PWR and BWR power generation equipment which is housed in the turbine building is essentially identical, the turbine building leakage rates from PWR's and BWR's should be similar. Therefore, for the PWR turbine building normalized iodine release rate, the values for BWR's given in Table 2-15 of NUREG-0016, Revision 1 (Ref. 15) have been used and reproduced here as Table 2-16 of this report.

The data in Tables 2-14 through 2-16 are expressed as total normalized releases during power operation of 300 days and the total normalized releases during shutdowns of 65 days. Since the reactors used in the EPRI study and the NRC study experienced several intermittent

shutdowns of short duration during the power operation measurement period, the iodine releases during these short duration outages are included under power operation.

Since the releases from the containment building are dependent on the method of containment purging (see Section 2.2.9, Containment Purging Frequency), the releases in Table 2-13 are expressed in terms of a leak rate (in %/day of primary coolant inventory). In addition, the release from the containment building during extended outages is expressed as a total normalized release as discussed above for other buildings.

In order to obtain the releases in curies/year from the auxiliary building and the refueling area of a particular PWR, the normalized release data in Tables 2-14 and 2-15, respectively, are multiplied in the PWR-GALE Code by the iodine concentrations in the reactor coolant for that particular PWR using the following expression:

$$R_{PWRi} = R_N \times C_{PWRi}$$

where

R_{PWRi} = calculated annual release rate for particular PWR for iodine isotope i, Ci/yr

R_N = normalized annual release rate of iodine from Tables 2-14 and 2-15, Ci/yr/ μ Ci/g

C_{PWRi} = calculated reactor water concentration for particular PWR for iodine isotope i, μ Ci/g

To obtain the release in curies/year from the turbine building of a particular PWR, the normalized release data in Table 2-16 are multiplied in the PWR-GALE Code by the iodine concentration in the secondary coolant water and the iodine partition coefficient from the water to steam in the steam generator for that particular PWR using the following expression:

$$R_{PWRi} = R_N \times SC_{PWRi} \times PC_{PWR}$$

where

R_{PWRi} = calculated annual release rate for particular PWR for iodine isotope i, Ci/yr

R_N = normalized annual release rate of iodine from Table 2-16, Ci/yr/ μ Ci/g

SC_{PWRi} = calculated secondary coolant concentration for particular PWR for iodine isotope i, $\mu\text{Ci/g}$

PC_{PWR} = partition coefficient from the secondary coolant water to steam for the particular PWR (see Table 2-6)

In order to obtain the releases in curies/year from the containment building of a particular PWR, the normalized leak rates in Table 2-13, are multiplied in the PWR-GALE Code by the iodine concentration in the reactor coolant for that particular PWR, and then this leak rate is considered along with the containment purging method for that particular PWR.

To obtain the releases during shutdown, multiply the normalized release rates for the shutdown period by the same reactor coolant concentration as for power operations. Use of this reactor coolant concentration is acceptable since the normalization technique based the shutdown normalized release rate on the reactor coolant concentrations prior to shutdown.

Iodine released from PWR building ventilation systems appear in one of the following chemical forms: particulate, elemental, hypoiodous acid (HOI) and organic. Based on data in References 4, 5, 6, 7, 42 and 43, the fraction of the iodine appearing in each of the chemical forms for each building ventilation system is given below:

FRACTION OF IODINE APPEARING IN EACH CHEMICAL FORM
FROM PWR BUILDING VENTILATION SYSTEMS

	<u>Containment</u>	<u>Auxiliary</u>	<u>Turbine</u>	<u>Fuel Handling</u>
Particulate	0.09	0.04	*	0.01
Elemental	0.21	0.21	0.78	0.17
HOI	0.21	0.22	*	0.57
Organic	0.49	0.53	*	0.25

* No data on breakdown of other species.

2.2.5 RADIOACTIVE PARTICULATES RELEASED IN GASEOUS EFFLUENTS

2.2.5.1 Parameter

Use the radioactive particulate release rates in gaseous effluents given in Table 2-17.

TABLE 2-17

PARTICULATE RELEASE RATE FOR GASEOUS EFFLUENTS*
(Ci/yr)/unit

<u>Nuclide</u>	<u>Containment</u>	<u>Auxiliary Building</u>	<u>Fuel Pool Area</u>	<u>Waste Gas System</u>
Cr-51	9.2(-3)	3.2(-4)	1.8(-4)	1.4(-5)
Mn-54	5.3(-3)	7.8(-5)	3.0(-4)	2.1(-6)
Co-57	8.2(-4)	NA	NA	NA
Co-58	2.5(-2)	1.9(-3)	2.1(-2)	8.7(-6)
Co-60	2.6(-3)	5.1(-4)	8.2(-3)	1.4(-5)
Fe-59	2.7(-3)	5.0(-5)	NA	1.8(-6)
Sr-89**	1.3(-2)	7.5(-4)	2.1(-3)	4.4(-5)
Sr-90**	5.2(-3)	2.9(-4)	8.0(-4)	1.7(-5)
Zr-95	NA	1.0(-3)	3.6(-6)	4.8(-6)
Nb-95	1.8(-3)	3.0(-5)	2.4(-3)	3.7(-6)
Ru-103	1.6(-3)	2.3(-5)	3.8(-5)	3.2(-6)
Ru-106	NA	6.0(-6)	6.9(-5)	2.7(-6)
Sb-125	NA	3.9(-6)	5.7(-5)	NA
Cs-134	2.5(-3)	5.4(-4)	1.7(-3)	3.3(-5)
Cs-136	3.2(-3)	4.8(-5)	NA	5.3(-6)
Cs-137	5.5(-3)	7.2(-4)	2.7(-3)	7.7(-5)
Ba-140	NA	4.0(-4)	NA	2.3(-5)
Ce-141	1.3(-3)	2.6(-5)	4.4(-7)	2.2(-6)

* Particulate release rates are prior to filtration.

NA - No release observed from this source. Release assumed to be less than 1% of total.

** Data not available from Ref. 4, 5, 6 or 7, therefore Sr-89 and Sr-90 data were extracted from Semi-annual Effluent Release Reports. Release from each area above calculated by use of percent released from each area from Ref. 4, 5, 6 and 7 data.

2.2.5.2 Bases

Tables 2-18 through 2-21 list measured particulate releases at 12 operating reactors (Ref. 4, 5, 6, 7, 42, and 43). The average annual release rates for each nuclide released from four sources within the plant have been calculated based on the data in Tables 2-18 through 2-21. The measurements shown in Tables 2-18 through 2-21 were taken upstream of HEPA filters on streams on which HEPA filters are located. Based on the data in Tables 2-18 through 2-21, 63% of the releases came from the containment, 5% from the auxiliary building, 31% from the fuel pool area, and less than 1% from the waste gas processing system.

2.2.6 NOBLE GAS RELEASES FROM BUILDING VENTILATION SYSTEMS

2.2.6.1 Parameter

The noble gas releases from building ventilation systems are based on a daily leak rate of 3% of the noble gas inventory in the primary coolant released to the containment atmosphere; on a 160 lb/day primary coolant leak to the auxiliary building; and on a 1700 lb/hr steam leak rate in the turbine building.

2.2.6.2 Bases

The containment building leakage rate is derived from xenon-133 measurements in the containment atmosphere at Ginna and Maine Yankee (Ref. 17). The xenon-133 concentrations in the containment atmospheres at steady state were approximately 5×10^{-3} $\mu\text{Ci/cc}$ for Main Yankee and 7×10^{-3} $\mu\text{Ci/cc}$ for Ginna. The containment volumes at these facilities are approximately 1.8×10^6 ft^3 for Maine Yankee and 1×10^6 ft^3 for Ginna. Based on these values, the total microcuries of xenon-133 in the containment building atmosphere are

Maine Yankee

$$(5 \times 10^{-3} \mu\text{Ci/cc})(1.8 \times 10^6 \text{ft}^3)(2.83 \times 10^4 \text{cc/ft}^3) = 2.5 \times 10^8 \mu\text{Ci Xe-133}$$

Ginna

$$(7 \times 10^{-3} \mu\text{Ci/cc})(1 \times 10^6 \text{ft}^3)(2.83 \times 10^4 \text{cc/ft}^3) = 2.0 \times 10^8 \mu\text{Ci Xe-133}$$

Based on the half-life of xenon-133 (5.3d) and the assumption of a constant leakage rate to containment, the daily leakage rate of xenon-133 to the containment for the two plants is

Main Yankee

$$\frac{2.5 \times 10^8 \mu\text{Ci}}{(5.3 \text{ day}/0.693)} = 3.3 \times 10^7 \mu\text{Ci/day Xe-133 leakage}$$

TABLE 2-18

MEASURED RELEASES UPSTREAM OF HEPA FILTERS - CONTAINMENT
(Ci/yr)

Nuclide	Three Mile Island 1 (Ref. 7)	Fort Calhoun (Ref. 4)	Zion 1 & 2 (Ref. 5)	Turkey Point 3 & 4 (Ref. 6)	Calvert Cliffs 1 (Ref. 7)	Ginna (Ref. 7)	Prairie Island 1 & 2 (Ref. 42)	Rancho Seco (Ref. 43)	Average (Ci/yr)/unit
Cr-51	5.5(-2)	ND	ND	ND	NA	NA	NA	NA	9.2(-3)
Mn-54	2.1(-2)	1.4(-8)	3.9(-6)	NA	NA	NA	NA	NA	5.3(-3)
Co-57	4.9(-3)	ND	ND	ND	NA	NA	NA	NA	8.2(-4)
Co-58	2.2(-1)	5.6(-8)	1.5(-5)	3.2(-6)	NA	NA	6.6(-8)	2.5(-3)	2.5(-2)
Co-60	2.3(-2)	3.8(-8)	1.2(-5)	3.0(-5)	NA	NA	1.4(-7)	3.3(-4)	2.6(-3)
Fe-59	1.6(-2)	ND	ND	ND	NA	NA	NA	NA	2.7(-3)
Zr-95	NA	NA	NA	NA	NA	NA	NA	NA	NA
Nb-95	1.1(-2)	ND	ND	ND	NA	NA	NA	NA	1.8(-3)
Ru-103	9.5(-3)	ND	ND	ND	NA	NA	NA	NA	1.6(-3)
Ru-106	NA	NA	NA	NA	NA	NA	NA	NA	NA
Sb-125	NA	NA	NA	NA	NA	NA	NA	NA	NA
Cs-134	2.1(-2)	3.2(-6)	2.3(-4)	7.7(-5)	NA	NA	3.2(-8)	1.5(-3)	2.5(-3)
Cs-136	1.9(-2)	ND	ND	ND	NA	NA	NA	NA	3.2(-3)
Cs-137	4.4(-2)	4.1(-6)	3.2(-4)	1.9(-4)	NA	NA	6.6(-8)	5.0(-3)	5.5(-3)
Ba-140	NA	NA	NA	NA	NA	NA	NA	NA	NA
Ce-141	8.0(-3)	ND	ND	ND	NA	NA	NA	NA	1.3(-3)

ND = Not detected. For averaging purposes, a value of zero was assumed.

NA = Not analyzed (or no measurement taken); plants not included in averaging.

TABLE 2-19

MEASURED RELEASES UPSTREAM OF HEPA FILTERS - AUXILIARY BUILDING
(Ci/yr)

Nuclide	Three Mile Island 1 (Ref. 7)	Fort Calhoun (Ref. 4)	Zion 1 & 2 (Ref. 5)	Turkey Point 3 & 4 (Ref. 6)	Calvert Cliffs 1 (Ref. 7)	Ginna (Ref. 7)	Prairie Island 1 & 2 (Ref. 42)	Rancho Seco (Ref. 43)	Average (Ci/yr)/unit
Cr-51	1.4(-3)	ND	NA	ND	NA	1.9(-4)	NA	NA	3.2(-4)
Mn-54	1.1(-4)	NA	NA	6.3(-5)	3.0(-4)	6.7(-5)	2.7(-6)	NA	7.8(-5)
Co-57	NA	NA	NA	NA	NA	NA	NA	NA	NA
Co-58	1.1(-3)	2.0(-3)	NA	1.1(-3)	4.8(-4)	6.3(-4)	4.0(-5)	1.2(-2)	1.9(-3)
Co-60	2.0(-4)	2.7(-4)	NA	6.0(-4)	2.0(-3)	7.7(-4)	4.5(-5)	7.3(-4)	5.1(-4)
Fe-59	2.3(-4)	ND	ND	ND	NA	1.9(-5)	NA	NA	5.0(-5)
Zr-95	2.7(-4)	ND	ND	ND	7.9(-3)	4.1(-5)	5.7(-6)	NA	1.0(-3)
Nb-95	1.4(-4)	ND	ND	ND	NA	6.0(-5)	1.0(-5)	NA	3.0(-5)
Ru-103	9.1(-5)	ND	NA	ND	NA	6.9(-5)	2.7(-6)	NA	2.3(-5)
Ru-106	NA	ND	NA	ND	NA	2.4(-5)	NA	NA	6.0(-6)
Sb-125	NA	NA	NA	NA	NA	NA	7.7(-6)	NA	3.9(-6)
Cs-134	8.0(-5)	1.6(-3)	NA	7.9(-4)	2.0(-3)	3.4(-4)	1.5(-6)	5.2(-5)	5.4(-4)
Cs-136	NA	ND	NA	ND	NA	1.9(-4)	NA	NA	4.8(-5)
Cs-137	2.0(-4)	1.8(-3)	NA	1.4(-3)	1.9(-3)	1.1(-3)	9.4(-6)	8.0(-5)	7.2(-4)
Ba-140	NA	ND	ND	ND	NA	1.6(-3)	NA	NA	4.0(-4)
Ce-141	1.5(-4)	ND	NA	ND	NA	2.8(-5)	1.5(-6)	NA	2.6(-5)

ND = Not detected. For averaging purposes, a value of zero was assumed.

NA = Not analyzed (or no measurement taken); plants not included in averaging.

Measurements were made downstream of the auxiliary building HEPA filter. Due to uncertainty in the DF's of the HEPA filter, the data is not considered.

TABLE 2-20

MEASURED RELEASES UPSTREAM OF HEPA FILTERS - FUEL POOL AREA
(Ci/yr)/unit

Nuclide	Three Mile Island 1 (Ref. 7)	Fort Calhoun (Ref. 4)	Zion 1 & 2 (Ref. 5)	Turkey Point 3 & 4 (Ref. 6)	Calvert Cliffs 1 & 2 (Ref. 7)	Ginna (Ref. 7)	Prairie Island 1 & 2 (Ref. 42)	Rancho Seco (Ref. 43)	Average
Cr-51	1.8(-4)	NA	NA	NA	NA	NA	NA	NA	1.8(-4)
Mn-54	1.0(-5)	NA	NA	NA	1.2(-3)	NA	2.6(-6)	NA	2.4(-4)
Co-57	NA	NA	NA	NA	NA	NA	NA	NA	NA
Co-58	8.5(-5)	NA	NA	NA	1.1(-2)	NA	8.8(-6)	6.7(-5)	1.8(-3)
Co-60	4.4(-5)	NA	NA	NA	5.0(-3)	NA	6.9(-6)	7.6(-6)	8.4(-3)
Fe-59	NA	NA	NA	NA	NA	NA	NA	NA	NA
Zr-95	NA	NA	NA	NA	NA	NA	7.2(-6)	NA	3.6(-6)
Nb-95	3.0(-5)	NA	NA	NA	9.5(-3)	NA	1.7(-5)	NA	1.9(-3)
Ru-103	9.8(-5)	NA	NA	NA	NA	NA	1.7(-5)	NA	3.8(-5)
Ru-106	6.9(-5)	NA	NA	NA	NA	NA	NA	NA	6.9(-5)
Sb-125	1.7(-4)	NA	NA	NA	NA	NA	ND	NA	5.7(-5)
Cs-134	9.0(-6)	NA	NA	NA	2.2(-3)	NA	9.8(-7)	9.6(-7)	3.7(-4)
Cs-136	NA	NA	NA	NA	NA	NA	NA	NA	NA
Cs-137	2.4(-5)	NA	NA	NA	5.6(-3)	NA	4.1(-6)	7.4(-7)	9.4(-4)
Ba-140	NA	NA	NA	NA	NA	NA	NA	NA	NA
Ce-141	NA	NA	NA	NA	NA	NA	8.8(-7)	NA	4.4(-7)

ND = Not detected. For averaging purposes, a value of zero was assumed.

NA = Not analyzed (or no measurement taken); plants not included in averaging.

TABLE 2-21

MEASURED RELEASES UPSTREAM OF HEPA FILTERS - WASTE GAS SYSTEM
(Ci/yr)

Nuclide	Three Mile Island 1 (Ref. 7)	Fort Calhoun (Ref. 4)	Zion 1 & 2 (Ref. 5)	Turkey Point 3 & 4 (Ref. 6)	Calvert Cliffs 1 (Ref. 7)	Ginna (Ref. 7)	Prairie Island 1 & 2 (Ref. 42)	Rancho Seco (Ref. 43)	Average (Ci/yr)/unit
Cr-51	8.4(-5)	ND	ND	ND	NA	NA	NA	NA	1.4(-5)
Mn-54	1.1(-5)	ND	4.0(-6)	ND	NA	NA	NA	8.4(-9)	2.1(-6)
Co-57	NA	NA	NA	NA	NA	NA	NA	NA	NA
Co-58	4.5(-5)	3.8(-6)	1.1(-5)	8.8(-7)	NA	NA	NA	5.1(-8)	8.7(-6)
Co-60	8.0(-5)	NA	3.2(-6)	2.9(-7)	NA	NA	NA	5.9(-8)	1.4(-5)
Fe-59	7.2(-6)	1.8(-6)	1.9(-6)	ND	NA	NA	NA	NA	1.8(-6)
Zr-95	1.9(-5)	ND	ND	NA	NA	NA	NA	NA	4.8(-6)
Nb-95	2.2(-5)	ND	ND	ND	NA	NA	NA	NA	3.7(-6)
Ru-103	1.9(-5)	ND	ND	ND	NA	NA	NA	NA	3.2(-6)
Ru-106	1.6(-5)	ND	ND	ND	NA	NA	NA	NA	2.7(-6)
Sb-125	NA	NA	NA	NA	NA	NA	NA	NA	NA
Cs-134	1.2(-4)	1.2(-6)	1.1(-4)	3.8(-8)	NA	NA	NA	1.1(-8)	3.3(-5)
Cs-136	3.2(-5)	ND	ND	ND	NA	NA	NA	NA	5.3(-6)
Cs-137	3.5(-4)	NA	1.1(-4)	8.8(-8)	NA	NA	NA	2.6(-8)	7.7(-5)
Ba-140	1.4(-4)	ND	ND	ND	NA	NA	NA	NA	2.3(-5)
Ce-141	1.3(-5)	ND	ND	ND	NA	NA	NA	NA	2.2(-6)

ND = Not detected. For averaging purposes, a value of zero was assumed.

NA = Not analyzed (or no measurement taken); plants not included in averaging.

Ginna

$$\frac{2 \times 10^8 \mu\text{Ci}}{(5.3 \text{ day}/0.693)} = 2.6 \times 10^7 \mu\text{Ci/day Xe-133 leakage}$$

Based on the xenon-133 concentration during power operation (Ref. 29) and the masses of primary coolant of the two plants, the fraction of the xenon-133 inventory in the containment released per day is

Maine Yankee

$$\frac{3.3 \times 10^7 \mu\text{Ci/day}}{(10^\dagger \mu\text{Ci/cc} \times 28,300 \text{ cc/ft}^3 \times 11,000 \text{ ft}^3)} = 0.01/\text{day} = 1\%/\text{day}$$

Ginna

$$\frac{2.6 \times 10^7 \mu\text{Ci/day}}{(30^\dagger \mu\text{Ci/cc} \times 28,300 \times 6,234 \text{ ft}^3)} = 0.005/\text{day} = 0.5\%/\text{day}$$

Reference 16 also contains data for the xenon-133 concentration in the containment atmosphere and the primary coolant at Yankee Rowe for the periods August-October 1971, December 1971 - January 1972 and August-November 1973. These periods encompass several shutdowns and a wide variety of operating conditions, and during these periods the xenon concentration in the containment and in the primary coolant varied by two orders of magnitude. The percent of xenon-133 inventory in the coolant released to the containment atmosphere varied from approximately 0.05%/day to 0.5%/day. Also from Ref. 43, this percent was determined to be 10.4 for Rancho Seco.

On the basis of these data, we consider that 3%/day of the noble gas inventory in the primary coolant is released to the containment atmosphere.

In the auxiliary building, the source term calculation is based on an assumed primary coolant leakage rate of 160 lb/day (20 gal/day). In the absence of available data, this value is based on engineering judgment and is consistent with values proposed in Environmental Reports.

[†] The reactor coolant concentrations for Xe-133 are measured values during 12/73 - 6/74 for Main Yankee and September and October of 1971 for Ginna (Ref. 16).

In the turbine building, it is assumed that steam will leak to the turbine building atmosphere at a rate of 1700 lb/hr. The leakage is considered to be from many sources, each too small to be detected individually, but which, taken collectively, total 1700 lb/hr. The most significant leakage pathway is considered to be leakage through valve stem packings.

2.2.7 STEAM GENERATOR BLOWDOWN FLASH TANK VENT

2.2.7.1 Parameter

1. Pressurized water reactors, with U-tube steam generators, that are currently under design, either direct their blowdown through a heat exchanger to cool the blowdown or, if a flash tank is used, vent the flash tank to a flash tank vent condenser or the main condenser. For these plants, iodine releases by this path are negligible and a partition factor of zero is used for the steam generator blowdown flash tank vent.
2. For older plants which still utilize flash tanks which vent directly to the atmosphere an iodine partition factor of 0.05 is used.

2.2.7.2 Bases

Approximately one-third of the blowdown stream flashes to steam in the flash tank, provided there is a heat balance between steam generator operating conditions (550°F, 1000 psia) and the blowdown flash tank conditions (240°F, sat.). Although the iodine species in the blowdown stream will be predominantly nonvolatile (volatile species are degassed in the steam generator), significant iodine removal will occur because of entrainment by the flashing steam. A steam quality of 85% is considered in the evaluation. For currently designed PWR's which have provisions to prevent flashing (cooling blowdown below 212°F) or to condense the steam leaving the flash tank, the entrainment losses will be negligible, i.e., a partition factor of zero.

2.2.8 IODINE RELEASES FROM MAIN CONDENSER AIR EJECTOR EXHAUST

2.2.8.1 Parameter

The iodine releases from the main condenser air ejector exhaust prior to treatment are calculated by the PWR-GALE Code using the data in Tables 2-2 through 2-8, and in Table 2-22.

2.2.8.2 Bases

The iodine releases from the main condenser air ejector exhaust are based on secondary side measurements made by EPRI at Point Beach 2, (Ref. 7), by EG&G Idaho, Inc., for the NRC, at Turkey Point 3 and 4 (Ref. 6), and by Westinghouse at Point Beach 1 (Ref. 12) and Haddam Neck (Ref. 38).

TABLE 2-22

ANNUAL IODINE NORMALIZED RELEASES
FROM MAIN CONDENSER AIR EJECTOR EXHAUST*

<u>Data Source</u>	<u>Normalized Release</u> <u>(Ci/yr/μCi/g)</u>
Turkey Point 3/4 (Ref. 6)	3.5 (+3)
Point Peach 1/2 (Ref. 7, 12)	6.1 (+2)
Haddam Neck (Ref. 38)	3.0 (+1)
Average	<u>1.7 (+3)</u>

* The normalized release rate represents the effective release rate for radioiodine. It is the combination of the steam flow to the main condenser, the partitioning of radioiodine between the main condenser and the air ejector exhaust where it is measured and the partition coefficient for radioiodine from water to steam in the steam generator.

In a manner similar to the discussion of normalized releases for building ventilation releases in Section 2.2.4, the main condenser air ejector exhaust iodine releases are directly related to the secondary coolant iodine-131 concentration. Therefore, for the air ejector exhaust, the normalized iodine release, R_N , is determined using the following expression:

$$R_N = \frac{R_A}{C_{RW} \times PC}$$

where

- R_N = normalized effective release rate of iodine-131, Ci/yr/ μ Ci/g
- R_A = measured (absolute) iodine-131 release rate, Ci/yr
- C_{RW} = measured secondary coolant iodine-131 concentration, μ Ci/g
- PC = measured iodine partition coefficient from secondary coolant water to steam in the steam generator.

Data on normalized release rates from the main condenser air ejector exhaust are given in Table 2-22. To obtain the release in curies/year from the air ejector exhaust of a particular PWR, the normalized release data in Table 2-22 are multiplied in the PWR-GALE Code by the iodine concentration in the secondary coolant water and the iodine partition coefficient from the water to steam for that particular PWR using the following expression:

$$R_{PWRi} = R_N \times C_{PWRi} \times PC_{PWR}$$

where

- R_{PWRi} = calculated annual release for particular PWR for iodine isotope i, Ci/yr
- R_N = normalized annual release rate of iodine from Table 2-22, Ci/yr/ μ Ci/g
- C_{PWRi} = calculated secondary coolant concentration for particular PWR for iodine isotope i, μ Ci/g
- PC_{PWR} = Iodine partition coefficient from water to steam in the steam generator for the particular PWR (see Table 2-6)

As discussed in references 6 and 7, most of the iodine in the secondary system is not available for release to the main condenser air ejector exhaust due to iodine bypassing the condenser hotwell in the moisture separator/reheater drains and extraction steam, and possibly due to iodine plating out in the moisture separator/reheater, turbine and main condenser. As a result, the iodine release from the main condenser air ejector exhaust is small compared to the building ventilation releases.

2.2.9 CONTAINMENT PURGE FREQUENCY

2.2.9.1 Parameter

For those plants equipped with small diameter purge lines (diameter of about 8 inches or less), releases are based on continuous ventilation during power operation and on 2 purges per year at cold shutdown with the large containment purge lines. The continuous ventilation rate used in the evaluation is based on the applicant's design.

For older plants (those under review for operating licenses or those for which the construction permit SER was issued prior to July 1, 1975) not equipped with small diameter purge lines, releases are based on 2 purges per year at cold shutdown and 22 purges per year during power operation. The 22 purges consider the effect of use of large containment purge lines and of separate vent lines, if any. If, for a specific plant, there is filtration on the large purge lines but not on the vent lines, an additional GALE Code run will be made to account for the effect of the vent.

Operating experience and special design features (for example, little or no air operated equipment in the containment) to reduce the frequency of containment purging will be considered on a case-by-case basis.

2.2.9.2 Bases

It is assumed that the containment building is purged twice a year for refueling and maintenance. The two purges are considered for cold shutdowns for annual fuel loading and planned maintenance. In addition, experience at operating reactors (Table 2-23) has indicated a need to purge or vent the containment frequently during full power operation and hot standby to control the containment pressure, temperature, humidity, and airborne activity levels (Ref. 17). For the above reasons, new plant designs are to include the capability to purge the containment continuously through small-diameter purge lines (about 8 inches in diameter) and only use the large containment purge lines at cold shutdowns and refueling outages (Ref. 18). On this basis, source term calculations for new plants should consider a continuous ventilation rate based on the applicant's containment design, along with the two cold shutdown purges per year with the large containment purge lines, unless special provisions are made to eliminate or reduce the need for continuous ventilation flow.

TABLE 2-23

PWR CONTAINMENT PURGING AND VENTING EXPERIENCE (REF. 17)

Yankee Rowe

Purge and vent only after cooldown following shutdown
Reasons: Routinely pressurize containment for leak detection system checks and bring activity down
Duration: 2 to 6 hours

Maine Yankee

Purge once per quarter
Reason: Bring activity down
Duration: 2 to 3 days each quarter

Indian Point 2

Vent 2 times each day
Reason: Pressure balance control
Duration: Approximately 1 to 2 hours
Purge once every 2 weeks (duration not stated)

Three Mile Island 1

Purge approximately once per week during operation, always purge prior to shutdown
Reason: Improve temperature and humidity conditions
Duration: Approximately 48 hours

Connecticut Yankee

Purge - Cannot purge during operation, only during shutdown
Reason: Primarily to remove activity
Duration: 1 to 2 days

San Onofre 1

Purge each cooldown approximately 4 times per year, no purging during power operation
Purge for at least 24 hours, ventilate during entire shutdown period

Oconee 1

Continuous purge from startup through 7/1/74
Purged twice since 7/1/74, once on 7/8/74 for several days and again on 8/22/74 for 1 to 2 days
Reason: Reduction of gaseous activity for maintenance, etc.

TABLE 2-23 (continued)

PWR CONTAINMENT PURGING AND VENTING EXPERIENCE (REF. 17)Oconee 2

Continuous purge since startup, lowest purge rate approximately
20,000 ft³/min
Reason: Reduction of gaseous activity for maintenance, etc.

Robinson 2

Purge approximately 20 times per year for 2 minutes each purge for testing of purge valves. In addition, purge approximately 10 times per year for an average of 100 hours each purge for personnel comfort reasons.
Vent about 75 times per year for about four hours each. Venting occurs to control containment pressure and to bring containment pressure to zero gauge prior to purging as noted above.

Turkey Point 3

For period 1/1/74 to 7/1/74

Total purges	14
Total time	502 hours*
Maximum duration (1 purge)	253 hours
Minimum duration (1 purge)	3 hours

Infrequent purges or vents of 10 minutes for pressure control.

Turkey Point 4

For period 1/1/74 to 7/1/74

Total purges	5
Total time	984 hours*
Maximum time (1 purge)	742 hours
Minimum time (1 purge)	5 hours

Surry 1 and 2

Containment operates at negative pressure. Discharge from vacuum pumps through filters to stack. During cold shutdown, there is continuous purging of containment.

Prairie Island

Frequency: Once per week for about 8 hours
Reason: To relieve pressure buildup due to instrument air leakage to containment

TABLE 2-23 (continued)

PWR CONTAINMENT PURGING AND VENTING EXPERIENCE (REF. 17)

Kewaunee

Frequency: 5 times in 60 days usually for less than 1 hour, longer if for personnel entry.
Reason: Pressure control. During the 60-day period, purging occurred for personnel entry.

Point Beach

Continuous venting through a monitoring line at about 10 ft³/min flow. Gas filtered on way to stack.

Palidades

One per week for about 10 minutes duration (planned upon resumption of power operation)
Reason: To control pressure buildups

Zion

Venting for pressure buildup about twice per week depending on outside temperature. Ranges from twice per day to once every two weeks.
Purges to control environment range from once per day to once every two weeks.
Duration: 3/4 hour on venting; 3-4 hours on purging.

Fort Calhoun**

For periods from 1/1/76 to 6/31/76 and 5/5/77 to 12/31/77.
Average of 65 purges per year with an average duration of about 20 hours.

Millstone 2**

For period from 7/1/75 through 12/31/77.
About 45 purges per year with an average duration of about 9 hours.

* Generally, long purges occur during plant outages while at cold shutdown conditions.

** Data for these plants was obtained from the Semi-annual Release Reports for the plants for the period indicated.

For older plants (those under review for operating licenses or those for which the construction permit SER was issued prior to July 1, 1975) (Ref. 18) not equipped with small diameter purge lines, frequent periodic purges or vents will be used to control the above parameters (Ref. 18). A frequency of 22 purges per year during power operation is considered representative of plant operating experience for the combined effects of purging and venting.

2.2.10 CONTAINMENT INTERNAL CLEANUP SYSTEM

2.2.10.1 Parameter

Assume the internal cleanup system will operate for 16 hours prior to purging, that it provides a DF for radioiodine removal on charcoal adsorbers corresponding to the values in Table 1-5, and a DF of 100 for particulate removal on HEPA filters and that there is a containment air mixing efficiency of 70%.

2.2.10.2 Bases

Internal cleanup systems may be used to reduce airborne iodine concentrations in the containment air prior to purging. Such systems normally recirculate containment air through HEPA filters and charcoal adsorbers to effect iodine and particulate removal. For source term calculations, it is assumed that the cleanup systems are operated for 16 hours prior to purging. It is considered that charcoal adsorbers provide a DF for iodine corresponding to the values in Table 1-5, that HEPA filters provide a DF of 100 for particulates, and that the containment air mixing efficiency is 70%. The system operation time of 16 hours considers that two shifts will elapse following a decision to enter the containment. The time period of two shifts is a reasonable amount of time for pre-entry preparations.

A 70% mixing efficiency, based on data from the Ginna Station containment building atmosphere test conducted in 1971 (Ref. 19), is used in evaluations. Data from Reference 19 are

<u>Parameter</u>	<u>Symbol</u>	<u>Value</u>
Length of test run	T	6 hours
Initial iodine activity	A_0	$1.2 \times 10^{-8} \mu\text{Ci/cc}$
Final iodine activity	A	$1.2 \times 10^{-9} \mu\text{Ci/cc}$
Containment volume	V	10^6 ft^3
Internal recirculation system flow rate	F	$6.1 \times 10^5 \text{ ft}^3/\text{hr}$

The efficiency of iodine removal, E, can be estimated from

$$\frac{A_0}{A} = \exp\left(\frac{FET}{V}\right)$$

Substituting Ginna data into the equation

$$\frac{1 \times 10^{-8}}{1 \times 10^{-9}} = \exp [(6.1 \times 10^5)(E)(6)/(10^6)]$$

$$10 = \exp (3.7E), \text{ therefore } E = 0.63.$$

The iodine removal efficiency E is a function of filter efficiency, E_a , and mixing efficiency, E_m .

$$E = E_a E_m = 0.63$$

In calculating E_m we used the assumed DF of 10 for charcoal derived from Table 1-5, (90% removal). Using E_a equal to 0.9, E_m is calculated to be 70%.

$$E_m = E/E_a = 0.63/0.9 = 0.7$$

2.2.11 RADIOIODINE REMOVAL EFFICIENCIES FOR CHARCOAL ADSORBERS AND PARTICULATE REMOVAL EFFICIENCIES FOR HEPA FILTERS

2.2.11.1 Parameter

Use a removal efficiency of 99% for particulate removal by HEPA filtration. For charcoal adsorbers, which satisfy the guideline of Reg. Guide 1.140 (Rev. 2), removal efficiencies for all forms of radioiodine are as follows:

<u>Activated Carbon Bed Depth^a</u>	<u>Removal Efficiencies For Radioiodine(%)</u>
2 inches. Air filtration system designed to operate inside primary containment.	90
2 inches. Air filtration system designed to operate outside the primary containment and relative humidity is controlled to 70%.	70

^a Multiple beds, e.g., two 2-inch beds in series, should be treated as single bed of aggregate depth of 4 inches.

<u>Activated Carbon Bed Depth^a</u>	<u>Removal Efficiencies For Radioiodine(%)</u>
4 inches. Air filtration system designed to operate outside the primary containment and relative humidity is controlled to 70%.	90
6 inches. Air filtration system designed to operate outside the primary containment and relative humidity is controlled to 70%.	99

2.2.11.2 Bases

The removal efficiencies assigned to HEPA filters for particulate removal and charcoal adsorbers for radioiodine removal are based on the design, testing and maintenance criteria recommended in Regulatory Guide 1.140, "Design, Testing and Maintenance Criteria for Normal Ventilation Exhaust System Air Filtration and Adsorption Units of Light-Water-Cooled Nuclear Power Plants" (Ref. 2).

2.2.12 WASTE GAS SYSTEM INPUT FLOW TO PRESSURIZED STORAGE TANKS

2.2.12.1 Parameter

The input flow rate to the pressurized storage tanks is variable depending on the system design as can be seen from Table 2-24 and 2-25. Therefore each applicant should supply the value of F, the waste gas system input flow to the pressurized storage tanks. If detailed design information is not available, the data given in Tables 2-24 and 2-25 may be used. These data show that the average waste gas input flow is 170 ft³/day (STP) per reactor for PWR's without recombiners and 30 ft³/day (STP) per reactor for PWR's with recombiners.

2.2.12.2 Bases

As can be seen from Tables 2-24 and 2-25 there is variation among PWR system designs for the waste gas system input flow.

A review of the waste gas processing systems proposed for a number of PWR's as given in the respective PSAR's and FSAR's has yielded the design flow rates shown in Tables 2-24 and 2-25. Table 2-24 indicates that for reactors designed without recombiners to treat the gas prior to holdup in pressurized storage tanks, the average expected flow is approximately 170 ft³/day (STP) per reactor. Table 2-25 indicates that for reactors designed with recombiners to remove hydrogen prior to holdup in pressurized storage tanks, the average expected flow is approximately 30 ft³/day (STP) per reactor.

TABLE 2-24

WASTE GAS SYSTEM INPUT FLOW TO PRESSURIZED STORAGE TANKS
FOR PWR's WITHOUT RECOMBINERS

<u>Reactor</u>	<u>Net Flow per Reactor</u> <u>ft³/day (STP)</u>
San Onofre 2/3	57
Waterford 3	171
Pilgrim 2	69
St. Lucie 1/2	139
Millstone 2	49
Arkansas 1/2	68
Byron 1/2	173
Sequoyah 1/2	173
Marble Hill 1/2	173
Diablo Canyon 1/2	343
Trojan	225
Oconee 1/2/3	180
Davis Besse 1	144
Bellefonte 1/2	163
Average Net Flow for PWR's without recombiners	= 170 ft ³ /day (STP) per reactor

TABLE 2-25

WASTE GAS SYSTEM INPUT FLOW TO PRESSURIZED STORAGE TANKS
FOR PWR's WITH RECOMBINERS

<u>Reactor</u>	<u>Net Flow per Reactor</u> <u>ft³/day (STP)</u>
WPPSS 1	96
Farley 1/2	3
McGuire 1/2	18

Average Net Flow for PWR's with recombiners = 30 ft³/day (STP) per reactor

* Net flow rate is determined downstream of any recombiner (which is assumed 100% effective in removing hydrogen).

2.2.13 HOLDUP TIMES FOR CHARCOAL DELAY SYSTEMS

2.2.13.1 Parameter

$$T = 0.011 \text{ MK/F}$$

where

T is the holdup time, in days; and

K is the dynamic adsorption coefficient, in cm^3/g , (see chart below);

M is the mass of charcoal adsorber, in 10^3 lbs;

F is the system flow rate, in ft^3/min ;

0.011 is the factor to convert from $(10^3 \text{ lb. cm}^3/\text{g})/(\text{ft}^3/\text{min})$ to days.

Dynamic adsorption coefficients, K, (in cm^3/g) are as follows:

	<u>Operating 77°F Dew Point 45°F</u>	<u>Operating 77°F Dew Point 0°F</u>	<u>Operating 77°F Dew Point -40°F</u>	<u>Operating 0°F Dew Point -20°F</u>
Kr	18.5	25	70	105
Xe	330	440	1160	2410

2.2.13.2 Bases

Charcoal delay systems are evaluated using the above equation and dynamic adsorption coefficients. $T = \text{MK}/\text{F}$ is a standard equation for the calculation of delay times in charcoal adsorption systems (Ref. 20). The dynamic adsorption coefficients (K values) for Xe and Kr are dependent on operating temperature and moisture content (Ref. 21 and 22) in the charcoal, as indicated by the values in the above parameter. The K values represent a composite of data from operating reactor charcoal delay systems (Ref. 23 and 24) and reports concerning charcoal adsorption systems (Ref. 20-22, 24-27).

The factors influencing the selection of K values are:

1. Operational data from KRB (Ref. 23) and from KWL (Ref. 24), and from Vermont Yankee (Ref. 28).

2. The effect of temperature on the dynamic adsorption coefficients, indicated in Figure 2-3 (Ref. 21).
3. The effect of moisture on the dynamic adsorption coefficients, shown in Figure 2-4. The affinity of charcoal for moisture, shown in Figure 2-5.
4. The variation in K values between researchers and between the types of charcoal used in these systems (Refs. 21 and 27). Because of the variation in K values based on different types of charcoal and the data reported, average values taken from KRB and KWL data shown in Figure 2-3 are used.

The coefficient 0.011 adjusts the units and was calculated as follows:

$$T(\text{days}) = \frac{M(10^3 \text{ lbs}) K(\text{cm}^3/\text{g})(454 \text{ g/lb}) 3.53 \times 10^{-5} \text{ ft}^3/\text{cm}^3}{F(\text{ft}^3/\text{min})(1440 \text{ min/day})}$$

$$T = 0.011 \frac{MK}{F}$$

2.2.14 LIQUID WASTE INPUTS

2.2.14.1 Parameter

The flow rates listed in Table 2-26 are used as inputs to the liquid radwaste treatment system. Flows that cannot be standardized are added to those listed in Table 2-26 to fit an individual application, e.g., shim bleed and equipment leaks to the reactor coolant drain tank. Disposition of liquid streams to the appropriate collection tanks is based on the applicant's proposed method of processing.

2.2.14.2 Bases

The flow rates used represent average values for a plant operating at steady-state conditions. The values are derived from values proposed by the ANS 55.6 Working Group in proposed American National Standard, "Liquid Radioactive Waste Processing System for Light Water Reactor Plants," (Ref. 29) from operating and design data, and from information furnished by applicants in response to source term questions. Data from Zion (Ref. 5) indicate that the values for fraction of primary coolant activity given in Table 2-26 provide reasonable estimates of plant operating experience.

2.2.15 DETERGENT WASTE

2.2.15.1 Parameters

For plants with an onsite laundry, use the radionuclide distribution given in Table 2-27 for untreated detergent wastes. The quantities shown

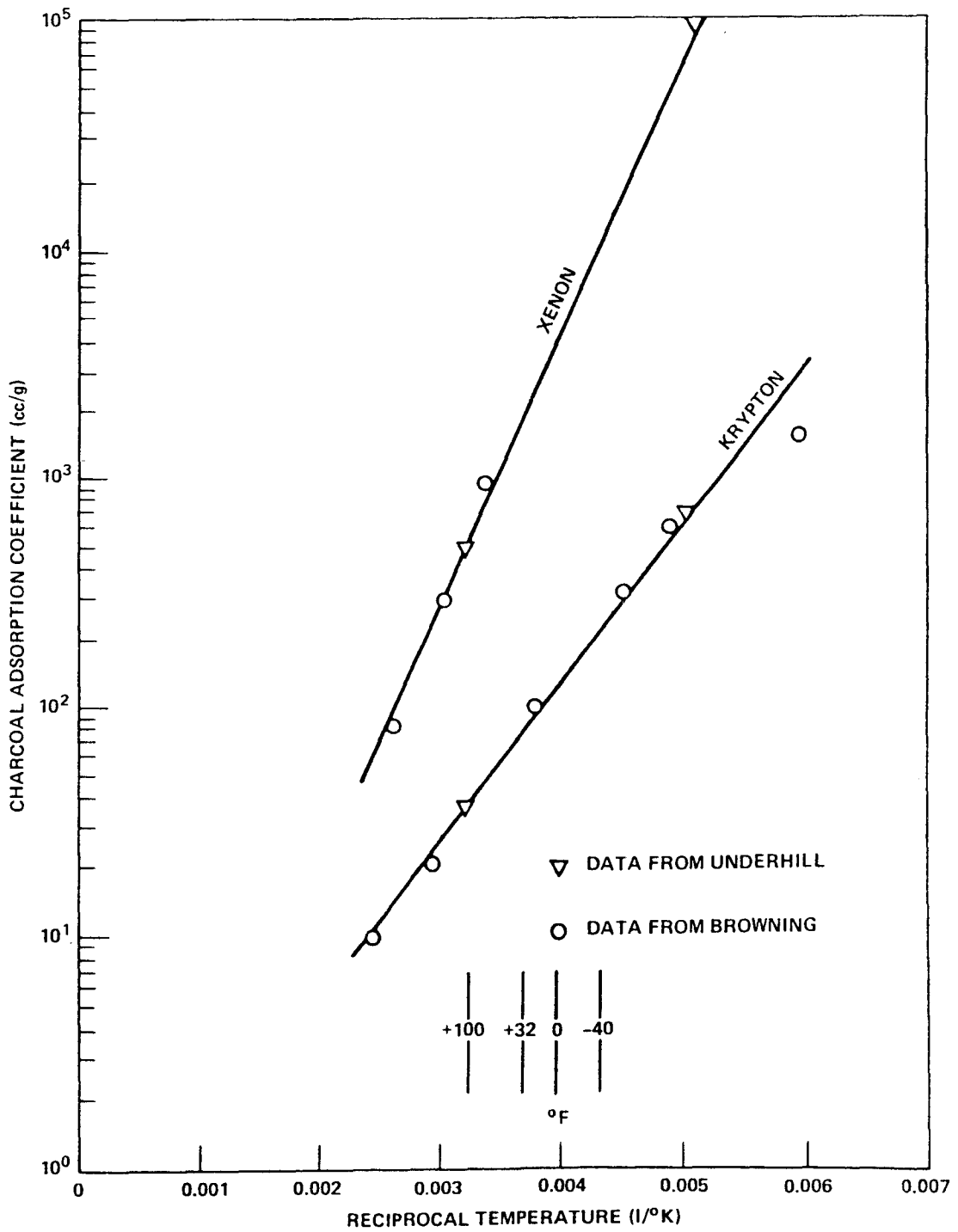


FIGURE 2-3 KRYPTON AND XENON K VALUES AS A FUNCTION OF RECIPROCAL TEMPERATURE

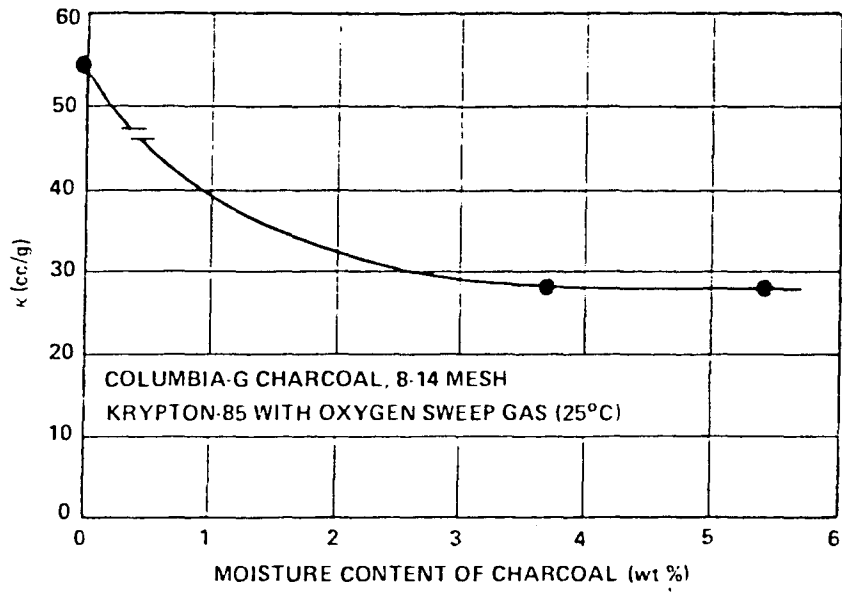


FIGURE 2-4 EFFECT OF MOISTURE CONTENT ON THE DYNAMIC ADSORPTION COEFFICIENT

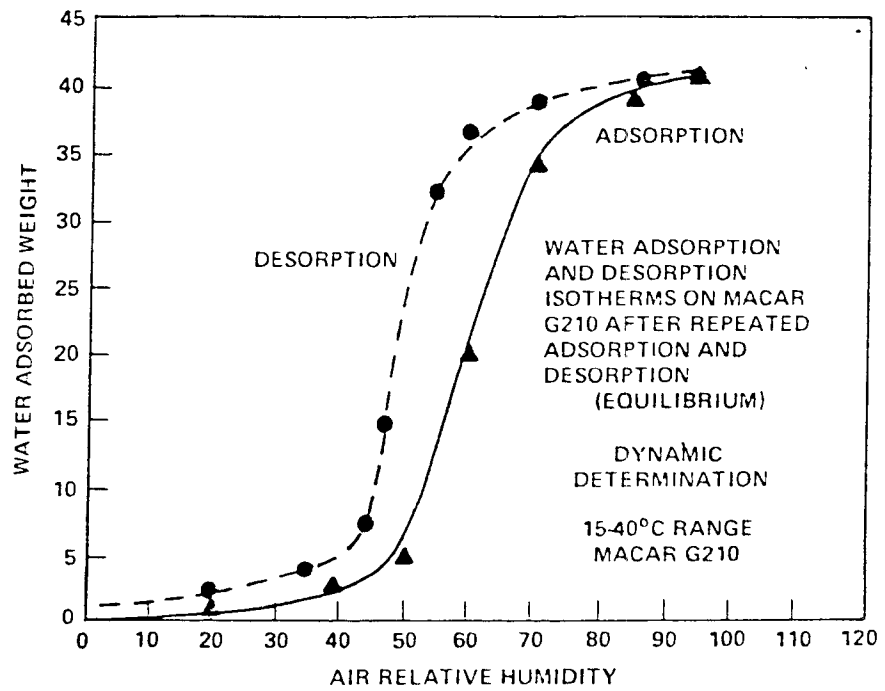


FIGURE 2-5 CHARCOAL MOISTURE AS A FUNCTION OF RELATIVE HUMIDITY

TABLE 2-26

PWR LIQUID WASTES

EXPECTED DAILY AVERAGE INPUT FLOW RATE (in Gal/day)

Type of treatment of blowdown recycled to secondary system (U-tube steam generator plants) or type of treatment of condensate (once-through steam generator plants)

SOURCE	Type of treatment of blowdown recycled to secondary system (U-tube steam generator plants) or type of treatment of condensate (once-through steam generator plants)			Plant with blowdown treatment. Product not recycled to condenser or secondary coolant system	FRACTION OF PRIMARY COOLANT ACTIVITY (PCA)
	Deep-bed cond. demineralizers with ultrasonic resin cleaner	Deep-bed cond. demineralizers without ultrasonic resin cleaner	Filter-demineralizer		
<u>1. REACTOR CONTAINMENT</u>					
a. Primary coolant pump seal leakage	20	20	20	20	0.1
b. Primary coolant leakage, miscellaneous sources	10	10	10	10	1.67*
c. Primary coolant equipment	500	500	500	500	0.001
<u>2. PRIMARY COOLANT SYSTEMS (OUTSIDE OF CONTAINMENT)</u>					
a. Primary coolant system equipment drains	80	80	80	80	1.0
b. Spent fuel pit liner drains	700	700	700	700	0.001
c. Primary coolant sampling system drains	200	200	200	200	0.05
d. Auxiliary building floor drains	200	200	200	200	0.1

TABLE 2-26 (Continued)

3. <u>SECONDARY COOLANT SYSTEMS</u>						
	a. Secondary coolant sampling system drains	1400	1400	1400	1400	10 ⁻⁴
	b. Condensate demineralizer rinse and transfer solutions	3000	12000	-	-	10 ⁻⁸
	c. Condensate demineralizer regenerant solutions	850	3400	-	-	Calculated in GALE Code
	d. Ultrasonic resin cleaner solutions	15000	-	-	-	10 ⁻⁶
	e. Condensate filter-demineralizer backwash	-	-	8100	-	2 x 10 ⁻⁶
	f. Steam generator blowdown	-	-	-	Plant dependent ^{††}	Plant dependent ^{††}
	g. Turbine building floor drains	7200	7200	7200	7200	Calculated in GALE Code
4. <u>DETERGENT AND DECONTAMINATION SYSTEMS</u>						
	a. On-site laundry facility	300	300	300	300	**
	b. Hot showers	Negligible	Negligible	Negligible	Negligible	-
	c. Hand wash sink drains	200	200	200	200	**
	d. Equipment and area decontamination	40	40	40	40	**
TOTALS		29,700	26,300	19,000	10,000	

** GALE Code uses release data given in Table 2-27 to calculate releases from this source.

†† Input parameter

* About 40% of the leakage flashes, resulting in PCA fraction of the leakage greater than 1.0.

TABLE 2-27

CALCULATED ANNUAL RELEASE OF RADIOACTIVE MATERIALS
IN UNTREATED DETERGENT WASTE

<u>Nuclide</u>	<u>Ci/yr/reactor</u>
P-32	1.8(-4)
Cr-51	4.7(-3)
Mn-54	3.8(-3)
Fe-55	7.2(-3)
Fe-59	2.2(-3)
Co-58	7.9(-3)
Co-60	1.4(-2)
Ni-63	1.7(-3)
Sr-89	8.8(-5)
Sr-90	1.3(-5)
Y-91	8.4(-5)
Zr-95	1.1(-3)
Nb-95	1.9(-3)
Mo-99	6(-5)
Ru-103	2.9(-4)
Ru-106	8.9(-3)
Ag-110m	1.2(-3)
Sb-124	4.3(-4)
I-131	1.6(-3)
Cs-134	1.1(-2)
Cs-136	3.7(-4)
Cs-137	1.6(-2)
Ba-140	9.1(-4)
Ce-141	2.3(-4)
Ce-144	3.9(-3)
TOTAL	0.09 Ci

in Table 2-27 should be added to the adjusted liquid source term. Detergent waste releases should be reduced, using appropriate decontamination factors from this report if treatment is provided.

2.2.15.2 Bases

In the evaluation of liquid radwaste treatment systems, it is assumed that detergent wastes (laundry and personnel drains) will have the radionuclide distribution given in Table 2-27. The radionuclide distribution is based on measurements at four nuclear power plants, which are given in Table 2-28.

2.2.16 CHEMICAL WASTES FROM REGENERATION OF CONDENSATE DEMINERALIZERS

2.2.16.1 Parameter

1. Liquid flows to demineralizer at main steam activity.
2. All nuclides removed from the secondary coolant by the demineralizers are removed from the resins during regeneration.
3. Use a regeneration cycle of 1.2 days times the number of demineralizers for deep bed condensate system without ultrasonic resin cleaner (URC); for systems using URC, use a regeneration cycle of 8 days times the number of demineralizers.

2.2.16.2 Bases

Operating data (Ref. 30, 31) from Arkansas Nuclear One-Unit 1 indicate that one condensate demineralizer (without URC) is chemically regenerated every 1.2 days. The 8-day period for systems using URC is from Reference 29.

All material exchanged or filtered out by the resins between regenerations is contained in the regenerant waste streams, therefore, each regeneration will have approximately the same effectiveness (i.e., each regeneration removes all material collected since the previous regeneration, leaving a constant quantity of material on the resins after regeneration). Regeneration cycles are normally controlled by particulate buildup on resin beds, resulting in high pressure drops across the bed.

2.2.17 TRITIUM RELEASES

2.2.17.1 Parameter

The tritium releases through the combined liquid and vapor pathways are 0.4 Ci/yr per Mwt. The quantity of tritium released through the liquid pathway is based on the calculated volume of liquid released, excluding secondary system wastes, with a primary coolant tritium concentration of 1.0 $\mu\text{Ci/ml}$ up to a maximum of 90% of the total quantity of tritium calculated to be available for release. It is assumed that the remainder of the tritium produced is released as a gas from building

TABLE 2-28

RADIONUCLIDE DISTRIBUTION OF DETERGENT WASTE
(millicuries/month)

<u>Nuclide</u>	<u>Oyster Creek (1971-1973) (Ref. 41)</u>	<u>Ginna (1972-1973) (Ref. 8)</u>	<u>Zion* (1977) (Ref. 5)</u>	<u>Fort Calhoun (1977) (Ref. 4)</u>
P-32	1.5(-2)	NA	NA	NA
Cr-51	2.3(-1)	NA	9.4(-1)	NA
Mn-54	1.3	1.2(-1)	1.6(-1)	1.9(-2)
Fe-55	3.5(-1)	NA	1.9	1.6(-1)
Fe-59	2.9(-1)	NA	2.6(-1)	NA
Co-58	3.5(-1)	4.1(-1)	2.4	1.5(-1)
Co-60	3.8	9(-1)	9.8(-1)	3(-2)
Ni-63	NA	NA	3.5(-1)	7.1(-2)
Sr-89	2.1(-2)	NA	7(-3)	1.4(-3)
Sr-90	2.5(-3)	NA	7.6(-4)	NA
Y-91	NA	NA	1.4(-2)	NA
Zr-95	8.3(-2)	1.6(-1)	1.4(-1)	NA
Nb-95	1.6(-1)	2(-1)	2.7(-1)	NA
Mo-99	NA	5(-3)	NA	NA
Ru-103	1.3(-2)	3.2(-2)	5.2(-2)	NA
Ru-106	NA	7.4(-1)	NA	NA
Ag-110m	NA	1(-1)	NA	NA
Sb-124	6.1(-2)	NA	4.7(-2)	NA
I-131	4.3(-1)	5.5(-2)	1.7(-1)	1.7(-2)
Cs-134	1.7(-1)	1.4	1.5	1.4
Cs-136	NA	NA	6.2(-2)	NA
Cs-137	2.9(-1)	2.5	2.1	1.7
Ba-140	7.6(-2)	NA	NA	NA
Ce-141	3.3(-2)	5(-3)	NA	NA
Ce-144	7.3(-2)	5.8(-1)	NA	NA
TOTAL	7.7	7.2	11.4	3.5

Note: NA = radionuclides were not analyzed.

* For two units.

ventilation exhaust systems. About eighty percent of the tritium in the gaseous effluents is released from the auxiliary building ventilation system, including the refueling area, and the remaining 20% of the tritium in gaseous effluents is released from the containment building ventilation system.

2.2.17.2 Bases

The release rate of 0.4 Ci/yr/MWt is based on a review of the tritium release rates at a number of PWR's and on data from specific measurements of tritium inventory and tritium releases at the Ginna plant (Ref. 8). The measurements at Ginna were made during the first two core cycles during which the reactor operated 605 effective full power days. The observed tritium buildup during this period was 1410 Ci. For the same period, 910,000 MWd of thermal power were generated. Using these data, considering an 80% plant capacity factor and considering tritium decay, the annual average tritium release is

$$\frac{1410 \text{ Ci}}{910,000 \text{ MWd}} (0.8)(365 \text{ days/yr}) e^{-0.693(1)/12.3} = 0.43 \text{ Ci/yr per MWt}$$

Table 2-29 gives the reported liquid and gaseous tritium releases for 1972-1978 for thirty-five operating PWR's that use zircaloy clad fuel and started commercial operation before 1978. Table 2-29 shows these data expressed as the average release rate from the plants as a function of the number of years of operation of each plant. The tritium release rate from a PWR should reach a steady state value after a few years as a result of leakages from the plant. Table 2-30 illustrates the fact that the tritium release rate is approaching a steady state value of approximately 0.4 Ci/yr/MWt which is the value obtained from the Ginna measurements. At steady state, the release rate from a plant is approximately equal to the amount entering the primary coolant since only about 5% per year of the plant tritium inventory will decay. Based on the data from Ginna and the data in Table 2-30 we will use a release rate of 0.4 Ci/yr/MWt, which considers both liquid and vapor pathways.

The amount of tritium released via the liquid pathway is calculated from the volume of primary coolant that is released in the nonrecyclable waste streams for the boron recovery, clean waste, and dirty waste systems. The concentration of tritium in wastes originating from primary coolant is assumed to be 1 $\mu\text{Ci/ml}$, consistent with the N237 source term. Tritium in liquid that leaks into, or is used as makeup to, the secondary system is considered to be released in liquid effluents through the turbine building floor drain discharge. The parameters for primary coolant activity prior to processing are used to calculate the tritium concentration in the waste streams.

Data in Table 2-31 indicate that tritium released in liquid effluents can make up a large fraction of the total tritium produced. Therefore we have considered that the tritium calculated to be released in liquid effluents is up to a maximum of 90% of the total quantity of tritium calculated to be available for release.

TABLE 2-29

TRITIUM RELEASE DATA FROM OPERATING PWR's WITH ZIRCALOY-CLAD FUELS*

Reactor Name	Power per unit MWt	Startup Date	Nuclear Thermal Output per unit 10 ⁶ MWDt					
			1972	1973	1974	1975	1976	1977
R. E. Ginna	1520	1969	0.32	0.45	0.28	0.40	0.29	0.46
H. B. Robinson	2200	1970	0.62	0.51	0.39	0.57	0.66	0.59
Point Beach 1/2	1518	1970/72	0.42	0.77	0.43	0.87	0.91	0.93
Palisades	2530	1971	0.24	0.27	0.02	0.37	0.40	0.72
Maine Yankee	2440	1972			0.48	0.61	0.81	0.69
Indian Point 2/3	2758	1973/76			0.48	0.69	0.56	1.46
Surry 1/2	2441	1972/73			0.80	1.21	1.05	1.27
Turkey Point 3/4	2200	1972/73			1.08	1.16	1.12	1.13
Oconee 1/2/3	2568	1973/74/74			0.51	1.95	1.65	1.67
Zion 1/2	3250	1973/73				1.37	1.29	1.53
Fort Calhoun	1420	1973				0.28	0.30	0.39
Prairie Island 1/2	1650	1973/74				0.94	0.86	1.03
Kewaunee	1650	1974				0.45	0.45	0.46
Three Mile Island 1	2535	1974				0.73	0.58	0.73
Rancho Seco	2772	1974				0.17	0.29	0.75
Arkansas 1	2568	1974				0.64	0.50	0.68
Calvert Cliffs 1/2	2700	1974/76				0.58	0.84	1.24
Cook 1	3250	1975					0.90	0.64
Millstone 2	2560	1975					0.63	0.59
Trojan	3411	1975					0.31	0.88
St. Lucie 1	2560	1976						0.73
Beaver Valley 1	2652	1976						0.42
Salem 1	3338	1976						0.28

* Data from semiannual reports of reactors listed.

TABLE 2-29 (continued)

TRITIUM RELEASE DATA FROM OPERATING PWR'S WITH ZIRCALOY-CLAD FUELS*

Reactor Name	Power per unit Mwt	Startup Date	Tritium Released (Ci/Yr) Per Site					
			Gaseous					
			1972	1973	1974	1975	1976	1977
R. E. Ginna	1520	1969	0.01	1.1	0.36	5.8	23.6	50
H. B. Robinson	2200	1970	1.0	4.0	52.0	193	158	61
Point Beach 1/2	1518	1970/72	8.0	25.0	43.0	177	395	194
Palisades	2530	1971	5.0	0.3	**	**	**	2.2
Maine Yankee	2440	1972			7.5	4.7	3.7	2.1
Indian Point 2/3	2758	1973/76			20.0	24.5	23.7	12.4
Surry 1/2	2441	1972/73			60.0	32	372	879
Turkey Point 3/4	2200	1972/73			9.2	3.5	5.2	3.9
Oconee 1/2/3	2568	1973/74/74			0.75	1600	502	62.6
Zion 1/2	3250	1973/73				**	**	**
Fort Calhoun	1420	1973				2.4	2.5	3.0
Prairie Island 1/2	1650	1973/74				10.1	33.1	88
Kewaunee	1650	1974				37.3	0.70	3.75
Three Mile Island 1	2535	1974				40.3	717	129
Rancho Seco	2772	1974				7.73	9.1	20.7
Arkansas 1	2568	1974				0.52	6.7	190
Calvert Cliffs 1/2	2700	1974/76				1.23	41	117
Cook 1	3250	1975					0.11	0.20
Millstone 2	2560	1975					21.3	47
Trojan	3411	1975					1.5	2.9
St. Lucie 1	2560	1976						320
Beaver Valley 1	2652	1976						213
Salem 1	3338	1976						51

* Data from semiannual reports of reactors listed.

** No reported data.

TABLE 2-29 (continued)

TRITIUM RELEASE DATA FROM OPERATING PWR'S WITH ZIRCALOY-CLAD FUELS*

Reactor Name	Power per unit MWt	Startup Date	Tritium Released (Ci/Yr) Per Site					
			1972	1973	Liquid		1976	1977
					1974	1975		
R. E. Ginna	1520	1969	120	286	195	261	242	119
H. B. Robinson	2200	1970	410	431	475	624	980	685
Point Beach 1/2	1518	1970/72	560	556	832	886	694	1000
Palisades	2530	1971	210	185	8.3	41.3	9.6	56
Maine Yankee	2440	1972			219	177	368	153
Indian Point 2/3	2758	1973/76			48	366	332	371
Surry 1/2	2441	1972/73			246	442	782	408
Turkey Point 3/4	2200	1972/73			580	793	771	924
Oconee 1/2/3	2568	1973/74/74			124	3550 [†]	2192 [†]	1918 [†]
Zion 1/2	3250	1973/73				39.4 [†]	1.1 [†]	727 [†]
Fort Calhoun	1420	1973				111	122	157
Prairie Island 1/2	1650	1973/74				763	1925	1349
Kewaunee	1650	1974				277	213	295
Three Mile Island 1	2535	1974				463	189	192
Rancho Seco	2772	1974				132	0.0 ^{††}	0.09 ^{††}
Arkansas 1	2568	1974				460	212	245
Calvert Cliffs 1/2	2700	1974/76				263	274	575
Cook 1	3250	1975					192	285
Millstone 2	2560	1975					277	211
Trojan	3411	1975					36	311
St. Lucie 1	2560	1976						242
Beaver Valley 1	2652	1976						108
Salem 1	3338	1976						296

* Data from semiannual reports of reactors listed.

† No radioactive liquid wastes were discharged from Unit 2 during the entire year. Note: For 1975, there were no radioactive liquid wastes discharged from Unit 1 during the last 6 months.

†† Rancho Seco is designed to be a zero or very low liquid release plant.

TABLE 2-29 (continued)

TRITIUM RELEASE DATA FROM OPERATING PWR'S WITH ZIRCALOY-CLAD FUELS*

Reactor Name	Power per unit Mwt	Startup Date	Total Tritium Released Per Unit (Ci/yr.-Mwt at 80% capacity)					
			1972	1973	1974	1975	1976	1977
R. E. Ginna	1520	1969	0.11	0.19	0.20	0.19	0.27	0.11
H. B. Robinson	2200	1970	0.19	0.25	0.39	0.42	0.50	0.37
Point Beach 1/2	1518	1970/72	0.39	0.22	0.59	0.36	0.35	0.37
Palisades	2530	1971	0.26	0.20	-	-	-	0.02
Maine Yankee	2440	1972			0.14	0.09	0.13	0.07
Indian Point 2/3	2758	1973/76			0.04	0.17	0.19	0.08
Surry 1/2	2441	1972/73			0.11	0.11	0.32	0.30
Turkey Point 3/4	2200	1972/73			0.16	0.20	0.20	0.24
Oconee 1/2/3	2568	1973/74/74			0.07	0.79	0.48	0.35
Zion 1/2	3250	1973/73				-	-	-
Fort Calhoun	1420	1973				0.12	0.12	0.12
Prairie Island 1/2	1650	1973/74				0.24	0.66	0.41
Kewaunee	1650	1974				0.20	0.14	0.19
Three Mile Island 1	2535	1974				0.20	0.46	0.13
Rancho Seco	2772	1974				0.24	0.01	0.01
Arkansas 1	2568	1974				0.21	0.13	0.19
Calvert Cliffs 1/2	2700	1974/76				0.13	0.11	0.16
Cook 1	3250	1975					0.06	0.13
Millstone 2	2560	1975					0.14	0.13
Trojan	3411	1975					0.04	0.10
St. Lucie 1	2560	1976						0.22
Beaver Valley 1	2652	1976						0.22
Salem 1	3338	1976						0.36

* Data from semiannual reports of reactors listed.

TABLE 2-30

TRITIUM RELEASE RATE FROM OPERATING PWR'S
AS A FUNCTION OF NUMBER OF YEARS OF OPERATION
(Ci/yr.-Mwt per unit at 80% capacity)

	<u>1</u>	<u>2</u>	<u>3</u>	<u>4</u>	<u>5</u>	<u>6</u>	<u>7</u>
Ginna	0.11	0.19	0.20	0.19	0.27	0.11	0.17
Robinson	0.19	0.25	0.39	0.42	0.50	0.37	-
Pt. Beach 1/2	0.39	0.22	0.59	0.36	0.35	0.37	0.51
Maine Yankee	0.14	0.09	0.13	0.07	0.18	-	-
Indian Pt. 2/3	0.04	0.17	0.19	0.08	-		
Surry 1/2	0.11	0.11	0.32	0.30	-		
Turkey Pt. 3/4	0.16	0.20	0.20	0.24	0.20		
Oconee 1/2/3	0.07	0.77	0.48	0.35	0.19		
Ft. Calhoun	0.12	0.12	0.12	0.13	-		
Prairie Is. 1/2	0.24	0.66	0.41	0.25			
Kewaunee	0.20	0.14	0.19	0.20	-		
TMI 1	0.20	0.46	0.13	0.17	-		
Arkansas 1	0.21	0.13	0.19	-	-		
Calvert Cliffs 1/2	0.13	0.11	0.16	-	-		
Cook	0.06	0.13	0.31	-	-		
Millstone	0.14	0.13	-	-	-		
Trojan	0.04	0.10	-	-	-		
St. Lucie	0.22	-	-	-	-		
Beaver Valley	0.22	0.51	-	-	-		
Salem	0.36	0.41	-	-	-		
Average	0.16	0.29	0.30	0.25	0.26	0.31	0.40

TABLE 2-31

TRITIUM RELEASE DATA FROM OPERATING PWR'S
PERCENT OF TOTAL TRITIUM RELEASED IN LIQUID EFFLUENTS

<u>Reactor</u>	<u>1972</u>	<u>1973</u>	<u>1974</u>	<u>1975</u>	<u>1976</u>	<u>1977</u>
R. E. Ginna	100.0	99.6	99.8	97.8	91.1	70.4
H. B. Robinson	99.8	99.1	90.1	76.4	86.1	91.8
Point Beach 1/2	98.6	95.7	95.1	83.3	63.7	83.8
Palisades	97.7	99.8	**	**	**	96.2
Maine Yankee			96.7	97.4	99.0	98.6
Indian Point 2/3			70.6	93.7	93.3	96.8
Surry 1/2			80.4	93.2	67.8	31.7
Turkey Point 3/4			98.4	99.6	99.3	99.6
Oconee 1/3			99.4	68.9	81.4	96.8
Zion 1/2				**	**	**
Fort Calhoun				97.9	98.0	98.1
Prairie Island 1/2				98.7	98.3	93.9
Kewaunee				88.1	99.7	98.7
Three Mile Island 1				92.0	20.9	59.8
Rancho Seco				94.5	0.0 ^{††}	0.43 ^{††}
Arkansas 1				99.9	96.9	56.3
Calvert Cliffs 1/2				99.5	87.0	83.1
Cook 1					100.0	100.0
Millstone 2					92.9	81.8
Trojan					96.0	99.1
St. Lucie 1						43.1
Beaver Valley 1						33.6
Salem 1						85.3
Weighted Average*	99.2	98.0	91.1	89.5	83.5	78.5

* Average weighted by nuclear thermal output per unit.

** No reported data.

†† Rancho Seco is designed to be a zero or very low liquid release plant.

The difference between the tritium calculated to be available for release from the primary coolant and the tritium calculated to be released in liquid effluents is considered to be released as a vapor through building ventilation exhaust systems. Based on measurements taken in 1975 through 1977 at Ginna, Calvert Cliffs and Three Mile Island (Ref. 7) and in 1976 and 1977 at Zion 1/2 (Ref. 5), and in 1977 at Turkey Point (Ref. 6), in 1978-79 at Rancho Seco (Ref. 43), and in 1980-1981 at Prairie Island 1/2 (Ref. 42), Table 2-32 provides the distribution of tritium released from various sources within the plant. Based on data in Table 2-32, approximately 32% of tritium in gaseous effluents is released from the auxiliary building, 50% from the refueling area, and 18% from the containment. Since the refueling area in a PWR generally vents to the same release point as the auxiliary building, we have included these two releases together in our parameter.

2.2.18 DECONTAMINATION FACTORS FOR DEMINERALIZERS

2.2.18.1 Parameter

	<u>Anion</u>	<u>Cs, Rb</u>	<u>Other Nuclides</u>
Mixed bed purification system (LiBO ₃)	100	2	50
Boron recycle system	10	2	10
Evaporator condensate (H ⁺ OH ⁻)	5	1	10
Radwaste (H ⁺ OH ⁻)	10 ² (10)	2(10)	10 ² (10)
Steam Generator Blowdown	10 ² (10)	10(10)	10 ² (10)
Cation bed (H ⁺) (any system)	1(1)	10(10)	10(10)
Anion bed (OH ⁻) (any system)	10 ² (10)	1(1)	1(1)
Powdex (any system)	10(10)	2(10)	10(10)

Note: For two demineralizers in series, the DF for the second demineralizer is given in parentheses.

The following operating conditions were considered for the evaluation of demineralizer performance:

1. The DF is dependent upon the inlet radioactivity and ion concentrations and bed volume ion exchange capacity. For demineralizer performance within the same range of controlled operating conditions, the DF increases with inlet radioactivity concentration and decreases with bed volume throughout.

TABLE 2-32*

DISTRIBUTION OF TRITIUM RELEASE IN GASEOUS EFFLUENTS

Source of Gaseous Tritium Release (% of Total)			
<u>Plant</u>	<u>Auxiliary Building</u>	<u>Refueling Area</u>	<u>Containment Building</u>
Ginna (Ref. 7)	31	69	NM
Calvert Cliffs 1 (Ref. 7)	38	46	16
Three Mile Is. 1 (Ref. 7)	5	43	52
Zion 1/2 (Ref. 5)	79	WA	21
Turkey Point 3/4 (Ref. 6)	75	17	8
Rancho Seco (Ref. 43)	92	WA	8
Prairie Island 1/2 (Ref. 43)	<u>7.2</u>	<u>91.8</u>	<u>1.0</u>
Average	32	50	18

NM - Not measured.

WA - Release from refueling area combined with auxiliary building release.

* The following method is used to determine the ^3H release in this table.

Containment Building operation average % of total release

$$(16 + 52 + 21 + 8 + 8 + 1)\% \div (6) = 17.7\% = 18\%$$

Then the Refueling Area for Ginna is reduced by

$$18\%, \text{ i.e., } (69 - 18)\% = 51\%$$

Now the operation average % of the total release for the Refueling Area is

$$(51 + 46 + 43 + 17 + 91.8)\% \div (5) = 50\%$$

Then use $(79 - 50)\% = 29\%$ and $(92 - 50)\% = 42\%$ into Zion and Rancho Seco auxiliary building's data, respectively, to calculate the operational average of Auxiliary Building release which is equal to

$$(31 + 38 + 5 + 29 + 75 + 42 + 7.2)\% \div (7) = 32\%$$

2. When two demineralizers are used in series, the first demineralizer will have a higher DF than the second. However, the data in Reference 32 indicate that Cs and Rb will be more strongly exchanged in the second demineralizer in series than the first as the concentration of preferentially exchanged competing nuclides is reduced.
3. As indicated in Reference 32, compounds of Y, Mo, and Tc form colloidal particles that tend to plate out on solid surfaces. Mechanisms such as plateout on the relatively large surface areas provided by demineralizer resin beds result in removal of these nuclides to the degree stated above. An analysis of effluent release data indicates that these nuclides, although present in the primary coolant, are not found in the effluent streams.

2.2.18.2 Bases

The decontamination factors (DF's) for purification, radwaste, and evaporator condensate demineralizers are based on (1) source term measurements made at Fort Calhoun, Zion, Turkey Point, Prairie Island, and Rancho Seco stations by In-Plant Source Term Measurement Program (Refs. 4, 5, 6, 42, and 43); (2) the findings of a generic review in the nuclear industry by the Oak Ridge National Laboratory (ORNL) (Ref. 32); and (3) measurements taken at Three Mile Island 1 (Ref. 40). The DF's for the remaining demineralizers are based on ORNL findings.

The ORNL generic review contains operating and theoretical data which provides a basis for the numerical values assigned. The ORNL data were projected to obtain a performance value expected over an extended period of operation. It is considered that attempts to extend the service life of the resin will reduce the DF's below those expected under controlled operating conditions.

Average DF's for Ft. Calhoun, Zion, Turkey Point, Rancho Seco, and Prairie Island stations were obtained by dividing the average inlet radionuclide concentration of samples by that of the average outlet concentrating for each nuclide.

Based on the data in References 4, 5, 6, 32, 42, and 43, the DF used for the parameter was that considered to be representative of the data.

2.2.19 DECONTAMINATION FACTORS FOR EVAPORATORS

2.2.19.1 Parameter

	<u>Decontamination Factors</u>	
	<u>All Nuclides Except Iodine</u>	<u>Iodine</u>
Miscellaneous radwaste evaporators	10^3	10^2
Boric acid evaporators	10^3	10^2
Separate evaporator for detergent wastes	10^2	10^2

2.2.19.2 Bases

The decontamination factors for evaporators are based on: (1) source term measurements made at Fort Calhoun, Zion, Turkey Point, Prairie Island, and Rancho Seco stations by In-Plant Source Term Measurement Program (Ref. 4, 5, 6, 42, and 43) and (2) the findings of a generic review in the nuclear industry by the Oak Ridge National Laboratory (Ref. 33).

Average DF's for Zion, Ft. Calhoun, Turkey Point, Rancho Seco, and Prairie Island, were obtained by dividing the average inlet radioactivity of samples by the average outlet radioactivity of samples for each radionuclide.

Based on the data given in References 4, 5, 6, 33, 42, and 43, the DF used for the parameter was that considered to be the most representative of the data.

2.2.20 DECONTAMINATION FACTORS FOR LIQUID RADWASTE FILTERS

2.2.20.1 Parameter

A DF of 1 for liquid radwaste filters is assigned for all radionuclides.

2.2.20.2 Bases

Reference 34 contains findings of a generic review by ORNL of liquid radwaste filters used in the nuclear industry. Due to various filter types and filter media employed, reported values of decontamination factors vary widely, with no discernible trend. The principal conclusion reached in the ORNL report is that no credit should be assigned to liquid radwaste filters (DF of 1) until a larger data base is obtained.

Additional data from Ft. Calhoun (Ref. 4), Zion 1/2 (Ref. 5) and Turkey Point 3/4 (Ref. 6), Rancho Seco (Ref. 43), and Prairie Island 1/2 (Ref. 42) indicate that decontamination factors in liquid radwaste filters vary widely from less than 1 to greater than 50 (with a mean value of 1.3). Therefore a DF of 1 for liquid radwaste filters is used.

2.2.21 DECONTAMINATION FACTORS FOR REVERSE OSMOSIS

2.2.21.1 Parameter

Overall DF of 30 for laundry wastes and DF of 10 for other liquid radwastes.

2.2.21.2 Bases

Reverse osmosis processes are generally run as semibatch processes. The concentrated stream rejected by the membrane is recycled until a desired fraction of the batch is processed through the membrane. The ratio of the volume processed through the membrane to the inlet batch volume is the percent recovery. The DF normally specified for the

process is the ratio of nuclide concentrations in the concentrated liquor stream to the concentrations in the effluent stream. This ratio is termed as the membrane DF (DF_m). For source term calculations, the system DF (DF_s) should be used. The system DF is the ratio of the nuclide concentrations in the feed stream to those in the effluent stream. The relationship between the system DF and the membrane DF is nonlinear and is a function of the percent recovery. This relationship can be expressed as follows:

$$DF_s = \frac{F}{1 - (1 - F)^{1/DF_m}}$$

where

DF_m is the membrane DF;

DF_s is the system DF; and

F is the ratio of effluent volume to inlet volume (fractional recovery).

Tables 2-33 through 2-36 give membrane DF's derived from operating data at Point Beach, Ginna and Robinson (Ref. 35) and laboratory data on simulated radwaste liquids (Ref. 36). These data indicate that the overall membrane DF is approximately 100. The percent recovery for liquid radwaste processes using reverse osmosis is expected to be approximately 95%, i.e., 5% concentrated liquor. Using these values in the above equation, the system DF is approximately 30.

$$DF_s = \frac{0.95}{1 - (1 - 0.95)^{1/100}} = 30$$

The data used were derived mainly from tests on laundry wastes. The DF for other plant wastes, e.g., floor drain wastes, is expected to be lower because of the higher concentrations of iodine and cesium isotopes. As indicated by the data in Tables 2-33, 2-35 and 2-36, the membrane DF for these isotopes is lower than the average membrane DF used in the evaluation for laundry waste.

2.2.22 GUIDELINES FOR CALCULATING LIQUID WASTE HOLDUP TIMES

The holdup times to permit radioactive decay applied to the input waste streams are calculated using the following parameters:

1. The collection time should be calculated for an 80% volume change in the tank, based on the liquid waste flow rates from the inlet sources.

TABLE 2-33

REVERSE OSMOSIS DECONTAMINATION FACTORS, GINNA STATION

<u>Nuclide</u>	<u>Concentrate Activity ($\mu\text{Ci}/\text{cm}^3$)</u>	<u>Product Activity ($\mu\text{Ci}/\text{cm}^3$)</u>	<u>Membrane DF</u>
Ce-144	2.68 (-4)	<2.2 (-7)	1200
Co-58	8.55 (-5)	<3.4 (-8)	2500
Ru-103	5.83 (-5)	<5.5 (-8)	1100
Cs-137	4.09 (-4)	6.6 (-6)	60
Cs-134	2.02 (-4)	3.2 (-6)	60
Nb-95	5.35 (-5)	<5.3 (-8)	1000
Zr-95	2.36(-5)	<3.7 (-8)	640
Mn-54	8.82 (-5)	<3.4 (-8)	2600
Co-60	9.62 (-4)	<8.1 (-8)	12,000
Total isotopic	2.15(-3)	9.8 (-6)	219
Gross beta	1.63 (-3)	1.86 (-5)	88
TOTAL	3.78(-3)	2.84(-5)	
Average			133

TABLE 2-34

REVERSE OSMOSIS DECONTAMINATION FACTORS, POINT BEACH

<u>Date</u>	<u>Time</u>	<u>Concentrate Activity (μCi/ml)</u>	<u>Product Activity (μCi/ml)</u>	<u>Membrane DF</u>
6/14/71	0840	1.1 (-5)	6.8 (-7)	16
	1225	6.3 (-5)	4.2 (-7)	150
	1350	6.8 (-5)	3.2 (-7)	213
6/15/71	1030	2.7 (-4)	3.1 (-6)	87
	1315	1.0 (-4)	1.7 (-6)	59
	1440	1.3 (-4)	1.1 (-7)	1200
	1510	1.6 (-4)	1.1 (-7)	1500
	1530	1.8 (-4)	5.7 (-7)	316
TOTAL		9.8 (-4)	7.0 (-6)	
	Average			140

TABLE 2-35
REVERSE OSMOSIS DECONTAMINATION FACTORS,
H. B. ROBINSON NO. 2 STATION

	<u>Co-60</u>	<u>Co-58</u>	<u>I-131</u>
	264	29	14
	382	---	20
	436	---	39
	107	229	26
	76	490	96
	94	131	11
	<hr style="width: 100%;"/>	<hr style="width: 100%;"/>	<hr style="width: 100%;"/>
Average	227	220	34

TABLE 2-36

EXPECTED REVERSE OSMOSIS DECONTAMINATION FACTORS
FOR SPECIFIC NUCLIDES

<u>Nuclide</u>	<u>Concentrate Activity</u> <u>(μCi/ml)</u>	<u>Product Activity</u> <u>(μCi/ml)</u>	<u>Membrane DF</u>
Co-60	2.5 (-4)	5 (-7)	500
Mo-99	3.8 (-2)	1 (-3)	40
I-131, 132, 133, 134, 135	1.2 (-1)	4 (-3)	30
Cs-134, 137	<u>4.3 (-2)</u>	<u>2 (-4)</u>	<u>200</u>
TOTAL	2 (-1)	5 (-3)	
AVERAGE			40

2. The process time is the total time liquid remains in the system for processing, based on the flow rate through the limiting process step.
3. The discharge time is one-half the time required to empty the final liquid waste sample (test) tank to the environment. This value is based on the maximum rate of the discharge pumps and the nominal tank volume.

The calculated values in 1. and the total of 2. and 3. are used as inputs to the computer PWR-GALE Code.

2.2.23 ADJUSTMENT TO LIQUID RADWASTE SOURCE TERMS FOR ANTICIPATED OPERATIONAL OCCURRENCES

2.2.23.1 Parameter

1. Increase the calculated source term by 0.16 Ci/yr per reactor using the same isotopic distribution as for the calculated source term to account for anticipated operational occurrences such as operator errors that result in unplanned releases.
2. Assume evaporators to be unavailable for two consecutive days per week for maintenance. If a 2-day hold-up capacity exists in the system (including surge tanks) or an alternative evaporator is available, no adjustment is needed. If less than a 2-day capacity is available, assume the waste excess is handled as follows:
 - a. High-purity or low-purity waste - Processed through an alternative system (if available) using a discharge fraction consistent with the lower purity system.
 - b. Chemical Waste - Discharged to the environment to the extent holdup capacity or an alternative evaporator is available.
3. The following methods should be used for calculating holdup times and effective system DF:
 - a. Holdup Capacity - If two or more holdup tanks are available, assume one tank is full (80% capacity) with the remaining tanks empty at the start of the two-day outage. If there is only one holdup tank, assume that it is 40% full at the start of the two-day outage with a usable capacity of 80%.
 - b. Effective System DF - Should the reserve storage capacity be inadequate for waste holdup over a two-day evaporator outage, and should an alternate evaporator be unavailable to process the wastes from the out-of-service evaporator, the subsystem DF should be adjusted to show the effect of the evaporator outage.

For example, a DF of $10^{5\dagger}$ was calculated for a radwaste demineralizer and radwaste evaporator in series. If an adjustment were required for the evaporator being out-of-service two days/week, with only one day holdup tank capacity, then the effective system DF can be calculated as follows:

1. For 6 days (7 - 2 + 1) out of 7 the system DF would be 10^5 .
2. For the remaining one day, the system DF would be 10^2 (only the demineralizer DF is considered). The effective DF is:

$$DF = \left[\left(\frac{6}{7} \right) (10^{-5}) + \left(\frac{1}{7} \right) (10^{-2}) \right]^{-1} = 7.0 \times 10^2$$

2.2.23.2 Bases

Reactor operating data over an 8 year period, January 1970 through December 1977, representing 154 reactor years of operation, were evaluated to determine the frequency and extent of unplanned liquid releases. During the period evaluated, 62 unplanned liquid releases occurred; 23 due to operator errors, 26 due to component failures, 5 due to inadequate procedures or failure to follow procedures, and the remaining 8 due to miscellaneous causes such as design errors. Table 2-37 summarizes the findings of this evaluation. Based on the data provided in Table 2-37 it is estimated that 0.16 Ci/reactor year will be discharged in unplanned releases in liquid effluents.

The availability of evaporators in waste treatment systems is expected to be in the range of 60 to 80%. Unavailability is attributed to scaling, fouling of surfaces, instrumentation failures, corrosion, and occasional upsets resulting in high carryovers requiring system cleaning. A value of two consecutive days unavailability per week was chosen as being representative of operating experience. For systems having sufficient tank capacity to collect and hold wastes during the assumed 2-day/week outage, no adjustments are required for the source term. If less capacity is available, the difference between the waste expected during two days of normal operation and the available holdup capacity is assumed to follow an alternative route for processing. Since processing through an alternative route implies mixing of wastes having different purities and different dispositions after treatment, it is assumed that the fraction of waste discharged following processing will be that normally assumed for the less pure of the two waste streams combined.

Since chemical and regenerant wastes are not amenable to processes other than evaporation, it is assumed that unless an alternative evaporation route is available, chemical and regenerant wastes in excess of the storage capacity are discharged without treatment.

[†] 10^3 (Evap.) \times 10^2 (demin) = 10^5 is obtained using DF's from Section 2.2.19.1.

TABLE 2-37

FREQUENCY AND EXTENT OF UNPLANNED LIQUID RADWASTE
RELEASES FROM OPERATING PLANTS*

Unplanned Liquid Releases

Total number (unplanned releases)	62
Fraction due to personnel error	0.37
Fraction due to component failure	0.42
Fraction due to inadequate procedures or failure to follow procedures	0.08
Fraction due to other causes	0.13
Approximate activity (Ci)	24.
Fraction of cumulative occurrence per reactor year (plants reporting releases <5 gals of liquid waste/reactor year)	0.16
Fraction of cumulative occurrences per reactor year (plants reporting activity released >0.01 Ci/reactor year)	0.28
Activity per release (Ci/release)	0.39
Activity released per reactor year (Ci/reactor year)	0.16
Volume of release per reactor year (gal/reactor year)	633.

* Values in this table are based on reported values in 1970-1977 Licensee Event Reports representing 154 reactor years of operation.

2.2.24 ATMOSPHERIC STEAM DUMP

2.2.24.1 Parameter

Noble gases and radioiodines released to the atmosphere from the steam dumps because of turbine trips and low-power physics tests will have a negligible effect on the calculated gaseous source term.

2.2.24.2 Bases

In the evaluation, consideration has been given to the quantity of noble gases and radioiodine released to the atmosphere from steam dumps because of low-power physics testing and turbine trips from full power. The evaluation indicates that the iodine-131 and noble gas releases will be less than 1% of the turbine building gaseous source term.

The evaluation of releases following a turbine trip from full power is based on the following parameters:

1. An average of two turbine trips annually;
2. 40% turbine bypass capacity to the main condenser;
3. Two-second rod insertion time required to scram the reactor following a turbine trip; and
4. Twelve-second cycle time to recirculate one primary coolant volume through the reactor and steam generator.

The above parameters are based on a 3400-MWt RESAR-3 reactor. Using these parameters, it is postulated that steam will continue to be produced at a full-power rate during the time the control rods are inserted and during the time required to recirculate one primary coolant volume. After this time, the turbine bypass will be adequate to handle steam generated from decay heat. The quantity of steam released

$$\begin{aligned} &= (1.5 \times 10^7 \text{ lb/hr})(60\%)(14 \text{ sec})(2 \text{ trips/year})(454 \text{ g/lb})\left(\frac{\text{hr}}{3600 \text{ sec}}\right) \\ &= 3 \times 10^7 \text{ g-steam/yr} \end{aligned}$$

The iodine-131 concentration in the main steam for a U-tube steam generator is approximately $1.8 \times 10^{-8} \mu\text{Ci/g-steam}$ from Table 2-2.

Based on the steam release calculated above, the associated iodine-131 release is approximately $6.0 \times 10^{-7} \text{ Ci/yr}$.

$$\begin{aligned} \text{I-131/yr} &= (3.2 \times 10^7 \frac{\text{g-steam}}{\text{yr}})(1.8 \times 10^{-8} \mu\text{Ci/g-steam})(10^{-6} \frac{\text{Ci}}{\mu\text{Ci}}) \\ &= 5.8 \times 10^{-7} \text{ Ci/yr} \end{aligned}$$

Releases due to low-power physics testing are calculated based on one 10-hour release of steam each year following a refueling. For a RESAR-3 reactor, low-power physics testing is conducted at 5% power. The conditions given above for power level and steady-state main steam iodine-131 activity are used. In addition, it is assumed that the reactor will be shut down for 30 days for refueling prior to low-power physics testing. The iodine-131 releases are calculated to be approximately 4.6×10^{-6} Ci/yr using the following equation:

$$\begin{aligned}
 \text{I-131/yr} &= (1.5 \times 10^7 \text{ lb/hr steam})(0.05)(454 \text{ g/lb})(10 \text{ hr/yr}) \\
 &(1.8 \times 10^{-8} \text{ } \mu\text{Ci/g-steam}) \exp \left[\frac{-(0.693)(30 \text{ days})}{(8.05 \text{ days})} \right] 10^{-6} \text{ Ci/} \mu\text{Ci} \\
 \text{I-131/yr} &= 4.6 \times 10^{-6} \text{ Ci/yr}
 \end{aligned}$$

2.2.25 CARBON-14 RELEASES

2.2.25.1 Parameter

The annual quantity of carbon-14 released from a pressurized water reactor is 7.3 Ci/yr. It is assumed that most of the carbon-14 will form volatile compounds that will be released from the waste gas processing system and from the containment and auxiliary building atmospheres to the environment.

2.2.25.2 Bases

The annual release of 7.5 Ci of carbon-14 is based on measurements at ten operating PWR's presented in Table 2-38. Kunz et al. (Ref. 37) found that the carbon-14 reacts to form volatile compounds (principally CH_4 , C_2H_6 , and CO_2) that are collected in the waste gas processing system through degassing of the primary coolant and released to the environment via the plant vent. Data from Refs. 4, 5, 6, 42, and 43 also indicate carbon-14 is released from the containment and auxiliary building vent as a result of leakage of primary coolant into the containment and auxiliary building atmospheres.

As shown in Table 2-39, an average of measurements, made at Turkey Point 3 and 4, Zion 1 and 2, Fort Calhoun, Prairie Island 1 and 2, and Rancho Seco indicates that the release of carbon-14 breaks down to 22.6% from the containment building, 61.0% from the auxiliary building vents and 16.4% from the waste gas processing system. Therefore on this basis, it is assumed that 1.6 Ci/yr of carbon-14 is released from the containment building, 4.5 Ci/yr of carbon-14 is released from the auxiliary building vents and 1.2 Ci/yr of carbon-14 is released from the waste gas processing system.

TABLE 2-38

CARBON-14 RELEASE DATA FROM OPERATING PWR'S

<u>Plant*</u>	<u>1975</u>	<u>1976</u>	<u>1977</u>	<u>1978</u>	<u>Annual Average Ci/yr-unit</u>
Conn. Yankee	44	40	30	70	46
Yankee Rowe	1.6	0.13	0.24	0.33	0.58
<u>Plant**</u>	<u>Area</u>				<u>Annual Release Ci/yr-unit</u>
Turkey Point 3/4	Aux. Bldg.				2.4
	Containment				0.075
	WGPS [†]				0.82
	Spent Fuel Area				<u>0.38</u>
	Total				3.7
Fort Calhoun	Fuel Pool and Aux. Bldg.				0.30
	WGPS				0.81
	Containment Bldg.				<u>0.78</u>
	Total				1.9
Zion 1/2	Cont. Bldg.				1.8
	Fuel Handling and Aux. Bldg.				1.4
	WGPS				<u>0.062</u>
	Total				3.3
Prairie Island 1/2	Cont. Building				0.016
	Fuel Handling and Aux. Bldg.				3.3
	WGPS				<u>0.25</u>
	Total				3.6
Rancho Seco	Cont. Building				0.9
	Fuel Handling and Aux. Bldg.				1.85
	WGPS				<u>0.85</u>
	Total				3.6
	Average				7.3

* Based on semi-annual release reports.

** Based on In-Plant Source Term Measurements.

† Waste gas processing system.

TABLE 2-39

DISTRIBUTION OF CARBON-14 RELEASED IN GASEOUS EFFLUENTS

<u>Plant</u>	<u>Plant Areas: Containment</u>	<u>Aux. Bldg. and Fuel Handling</u>	<u>WGPS</u>
Turkey Point 3/4	2%	75%	23%
Fort Calhoun	41%	16%	43%
Zion 1/2	55%	43%	2%
Rancho Seco	25%	51%	24%
Prairie Island 1/2	0.5%	92.5%	7%
Average:	22.6%	61.0%	16.4%

2.2.26 ARGON-41 RELEASES

2.2.26.1 Parameter

The annual quantity of argon-41 released from a pressurized water reactor is 34 Ci/yr. The argon-41 is released to the environment via the containment vent when the containment is vented or purged.

2.2.26.2 Bases

Argon-41 is formed by neutron activation of stable naturally occurring argon-40 in the containment air surrounding the reactor vessel. The argon-41 is released to the environment when the containment is vented or purged. Table 2-40 provides a summary of available data and gaseous argon-41 releases from operating PWR's. The information reported by the licensees is not sufficiently detailed to correlate reported argon-41 releases with plant size and plant operating parameters. However, the average argon-41 release is estimated to be 34 curies per year.

TABLE 2-40

SUMMARY OF ARGON-41 RELEASES FOR OPERATING PWR's FOR 1973-1978
(Ci/yr per reactor)

<u>Reactor Name</u>	<u>Year</u>	<u>Release</u>
Yankee Rowe	1974	0.85
	1975	0.93
	1976	0.3
	1977	0.49
	1978 (1/2 yr)	0.47
Haddam Neck	1973	0.044
	1977	0.08
	1978 (1/2 yr)	0.041
Ginna	1975	5.8
	1976	0.19
Point Beach 1/2	1973	17.6
	1974	16
	1975	208
	1976	31
	1977	9.2
	1978 (1/2 yr)	13.3
H. B. Robinson	1975 (1/2 yr)	16.2
	1976	15.4
	1977	23.1
	1978 (1/2 yr)	46.2
Surry	1974 (1/2 yr)	15
	1975	0.32
	1976	9.15
	1977 (1/2 yr)	16.5
D. C. Cook	1978 (1/2 yr)	19.7
Turkey Pt. 3/4	1974	26
	1975	51.3
	1976	39.4
	1977	45
Oconee 1/2/3	1974 (1/2 yr)	59.5
	1975	42
	1976	118
	1977	8.1
	1978 (1/2 yr)	19.9

TABLE 2-40 (continued)

SUMMARY OF ARGON-41 RELEASES FOR OPERATING PWR'S FOR 1973-1978
(Ci/yr per reactor)

<u>Reactor Name</u>	<u>Year</u>	<u>Release</u>
Fort Calhoun	1975	8.2
	1976	2.2
	1977	2.3
	1978 (1/2 yr)	0.27
Palisades	1978 (1/2 yr)	0.01
Zion 1/2	1978 (1/2 yr)	24.8
Prairie Island 1/2	1975	1.3
	1976	21
	1977	31.8
	1978	13.5
Kewaunee	1976 (1/2 yr)	30
	1978 (1/2 yr)	5.9
Three Mile Island 1	1975 (1/2 yr)	50
	1976	12
	1977	66
	1978 (1/2 yr)	46.5
Calvert Cliffs	1976 (1/2 yr)	2
	1977 (1/2 yr)	3.1
Rancho Seco	1977	9.8
	1978 (1/2 yr)	1.8

* All data provided by the semiannual effluent release reports and the annual operating reports for each PWR listed.

CHAPTER 3. INPUT FORMAT, SAMPLE PROBLEM, AND FORTRAN
LISTING OF THE PWR-GALE CODE

3.1 INTRODUCTION

This chapter contains additional information for using the PWR-GALE Code. Chapter 1 of this report described the entries required to be entered on input data cards. Section 3.2 of this chapter contains sample input data and an explanation of the input to orient the user in making the entries described in Chapter 1.

Section 3.3 of this chapter contains a listing of the input data for the sample problem and the resultant output. Section 3.4 contains a discussion of the nuclear data library used and a FORTRAN listing of the PWR-GALE Code.

3.2 INPUT DATA

This section contains (a) an explanation of the input used in the sample problem and (b) input coding sheets for the sample problem.

3.2.1 EXPLANATION OF THE INPUTS FOR THE SAMPLE PROBLEM

Only the inputs for the GALE code runs for the sample problem that are not obvious are explained:

Condensate demineralizer regeneration time (days)

Input - 8.4 days

Put this input in card 10 in the appropriate field allotted for this input.

Basis

The sample problem assumes eight condensate deep beds, one of which is spare in parallel with no ultrasonic resin cleaning. The regeneration time for a bed is therefore $7 \times 1.2 \text{ days} = 8.4 \text{ days}$.

The liquid waste inputs are based on assuming the following:

A. Waste Generation Rates and Effective PCA Fractions

<u>Waste Type</u>	<u>Gal/day</u>	<u>PCA Fraction</u>
Shim Bleed	1440	Code applies the CVCS DFs internally
Equipment Drains		
Pump seal leakage	300	1.0
Pump seal leakage (Table 2-26)	20	0.1

A. Waste Generation Rates and Effective PCA Fractions (Cont'd)

Waste Type	Gal/day	PCA Fraction
Other primary coolant leakage from miscellaneous sources inside the containment (Table 2-26)	10	1.67
Total equipment drain wastes	330	0.97 effective
Clean Wastes		
Primary coolant equipment drains (Outside containment)	80	1.0
Spent fuel pit liner drains	700	0.001
Primary coolant sampling system drains (segregated from secondary coolant samples)	200	0.05
Total Clean Wastes	980	0.093 effective
Dirty Wastes		
Primary coolant equipment Reactor containment cooling system	500	0.001
Auxiliary building floor drains	200	0.1
Secondary coolant sampling system drains	1400	0.0001
Total Dirty Wastes	2100	0.01 effective
Regenerant Wastes	3400	Code internally calculates the buildup on the beds
Condensate demineralizer rinse and transfer solution (secondary system wastes)	12000	10^{-8}

B. Available Equipment for Liquid Wastes Processing

Equipment	Number	Capacity (Each)
Recycle holup tank (To collect shim bleed and equipment drains)	2	50,000 gal
Clean waste holdup tank	2	7,000 gal
Dirty waste holdup tank	2	10,000 gal
Regenerant solution receiving tank	2	20,000 gal

B. Available Equipment for Liquid Wastes Processing (Cont'd)

Equipment	Number	Capacity (Each)
Resin and transfer solution receiving tank (To collect secondary system condensate demineralizer resin and transfer solution)	2	20,000 gal
Clean waste monitor tank (For processed shim bleed, equipment drains and clean wastes)	1	10,000 gal
Dirty waste monitor tank	2	10,000 gal
Secondary waste monitor tank (For processed regenerant wastes and secondary system condensate demineralizer resin and transfer solution)	2	10,000 gal
Recycle feed demineralizer (To process shim bleed and equipment drains and located upstream of the recycle holdup tank)	1	50 GPM
Recycle evaporator condensate demineralizer	1	50 GPM
Evaporator condensate demineralizer A (For clean wastes)	1	50 GPM
Evaporator condensate demineralizer B (For dirty wastes)	1	50 GPM
Secondary waste evaporator condensate demineralizer (To process regenerant wastes)	1	50 GPM
Secondary waste demineralizer (To process secondary system condensate demineralizer resin and transfer solution)	1	50 GPM
Steam generator blowdown demineralizer (To process steam generator blowdown)	2 in series	300 GPM
Recycle evaporator (For processing shim bleed and equipment drains)	1	30 GPM
Radwaste evaporator (For processing dirty wastes and clean wastes)	1	30 GPM
Secondary waste evaporator (For processing regenerate wastes)	1	30 GPM

C. Additional Notes about Liquid Wastes

- The above list includes only the processing equipment assumed for generating the liquid waste inputs for running the GALE code. For example, it does not consider such equipment as filters, evaporator condensate tank, reactor makeup water storage tank, etc.

2. Except the condensate deep bed demineralizers in the secondary system, all other demineralizers are assumed to be mixed bed and non-regenerative.
3. The processed steam generator blowdown is assumed to be totally returned to the secondary system. It is also assumed that the steam generator blowdown is 75,000 pounds/hr (~150 GMP).
4. Secondary system condensate demineralizer rinse and transfer solution waste has not been included as input for the sample problem GALE code run for the following reasons:
 - a. This waste is assumed to be collected in a collection system dedicated for this waste in the sample problem.
 - b. Even if 100 percent of this waste is released without treatment, the release from this stream is expected to be ≤ 0.15 percent of the total liquid effluent release. If, however, this waste is processed by the secondary waste demineralizer listed above, the release from this stream is expected to be ≤ 0.012 percent of the total liquid effluent release. Furthermore, it is likely that this waste will be processed and a major fraction of this processed waste will be recycled to the condensate storage system for eventual reuse in the secondary plant.

Note that if assumption a is not satisfied in any design, then the inputs for this waste should be properly integrated with the appropriate subsystem inputs (for example, the dirty waste subsystem) and the effective inputs for the combined waste system should be included for the GALE code run for that design.

5. The detergent wastes are assumed to be released without any prior treatment.
 6. All the liquid waste subsystems included in the GALE code run for the sample problem have at least a two-day holdup capacity for holding up the wastes prior to processing them.
 7. In view of what has been stated above, no additional run need be made to evaluate the liquid effluent releases; also no adjustments need be made to waste subsystem DFs for possible equipment downtime.
- D. The gaseous waste inputs to the GALE code run for the sample problem are based on assuming the following:
1. There is neither continuous degassification of the full letdown flow to the gaseous radwaste system via a gas stripper nor continuous purging of the volume control tank.
 2. Fill time and holdup time for gases stripped from the primary system are based on the following:

Number of pressurized storage tanks - 4
Volume of each tank at STP - 650 CF
Design pressure for each tank - 150 psig
No recombiners

3. Containment has small diameter (8 inches) purge line and the low volume containment purge rate is 1000 CFM.
4. Containment has no internal cleanup (kidney) system.
5. Number of high volume containment purges during power operation - 0.
6. Fuel, auxiliary and containment buildings have HEPA filters and four inch charcoal adsorbers on their exhaust lines and these filter units satisfy the guidelines of Regulatory Guide 1.140. Containment building has these filters both on the low and high volume purge exhaust lines. Waste gas system has HEPA filters on its exhaust line which satisfies the guidelines of Regulatory Guide 1.140. The iodine releases via the main condenser air ejector removal system are assumed to be released without any treatment prior to their releases.
7. Steam generator blowdown flash tank exhaust is not vented directly to the atmosphere.

3.2.2 INPUT CODING SHEETS

Figure 3-1 shows the input coding sheets used for the sample problem.

3.3 SAMPLE PROBLEM - INPUT AND OUTPUT

Figure 3-2 shows printouts of the input and output for a sample problem using the PWR-GALE Code.

3.4 LISTING OF PWR-GALE CODE

3.4.1 NUCLEAR DATA LIBRARY

Calculation of the releases of radioactive materials in liquid effluents using the GALE Code requires a library of nuclear data available from the Division of ADP Support, USNRC (301) 492-7713. For convenience, the tape consists of five files, written in card image form. The contents of the five files are:

1. File 1: A FORTRAN listing of the liquid effluent code.
2. File 2: Nuclear data library for corrosion and activation products for use with the liquid effluent code.

FORTRAN CODING FORM

CODER		DATE	ADDRESS	PHONE	
PROBLEM TITLE		PWR-GALE CODE	PROGRAM NO.	CHG. NO.	SHEET OF
STATEMENT NUMBER		0 = ZERO Ø = ALPHA O	1 = ONE I = ALPHA I	2 = TWO Z = ALPHA Z	IDENTIFICATION
1 2 3 4 5 6	7 8 9 10 11 12 13 14 15 16 17 18 19 20 21 22 23 24 25 26 27 28 29 30 31 32 33 34 35 36 37 38 39 40 41 42 43 44 45 46 47 48 49 50 51 52 53 54 55 56 57 58 59 60 61 62 63 64 65 66 67 68 69 70 71 72 73 74 75 76 77 78 79 80				
CARD	1	NAME IN NAME, OF RFACTOR (TYPE = PWR			
CARD	2	POINT, THERMAL, POWER, FLOW (MEGAWATT(S)) ()			
CARD	3	PICVOLT, MAISS, OF PIRTIMALRY, QUANT (TIHOUISAND(LBS)) ()			
CARD	4	LETDWIN, PRIMARY, SYSTEM, LETDWIN, RATE (GPM) ()			
CARD	5	CBFLR, LETDWIN, CATION, DEMINERALIZER FLOW (GPM) ()			
CARD	6	NOGFNI, NUMBER, OF SI, FLAM, GENERATORS ()			
CARD	7	TOSTIFL, TOTA, ISIFAM, FLOW (MILL, ION, LIBS/HR) ()			
CARD	8	WLI, MAISS, OF LIQUID, IN FACH, STBA, GENERTORI (TIHOUISAND(LBS)) ()			
CARD	9	BLWDWIN, BLWDWIN-THOU, LIB/HR () BLWDWIN-TIME, INP, UTO, I, O, R, 2 ()			
CARD	10	REGENT, CONDENSATE, DEMINERALIZER, REGENT, RATE, TIME (DAYS) ()			
CARD	11	FFCDM, CONDENSATE, DEMINERALIZER, FLOW, FRACTION ()			
CARD	12	SIHM, BLEFDRATE () GPD ()			
CARD	13	DFI=() DFC=() DFO=()			
CARD	14	COILFECTION () DIAYS, PROCESS () DIAYS, FRACT, DISCH ()			
CARD	15	EQUPMENT, DIR, IN, INP, UTO () GPD () PCA ()			
CARD	16	DFI=() DFC=() DFO=()			
CARD	17	COLLECTOR, DIAYS, PROCESS () DIAYS, FRACT, DISCH ()			
CARD	18	CLIAN, WAST, INP, UTO () GPD () PCA ()			
CARD	19	DFI=() DFC=() DFO=()			
CARD	20	COILFECTION () DIAYS, PROCESS () DIAYS, FRACT, DISCH ()			
CARD	21	DIRTY, WAST, INP, UTO () GPD () PCA ()			
CARD	22	DFI=() DFC=() DFO=()			
CARD	23	COILFECTION () DIAYS, PROCESS () DIAYS, FRACT, DISCH ()			

FORTAN CODING FORM

CODER			DATE	ADDRESS	PHONE							
PROBLEM TITLE		PWR-GALE CODE	PROGRAM NO.	CHG. NO.	SHEET OF							
STATEMENT NUMBER	0 = ZERO Ø = ALPHA 0			1 = ONE I = ALPHA I			2 = TWO Z = ALPHA Z			IDENTIFICATION		
1 2 3 4 5	6 7 8 9 10 11 12 13 14 15 16 17 18 19 20 21 22 23 24 25 26 27 28 29 30 31 32 33 34 35 36 37 38 39 40 41 42 43 44 45 46 47 48 49 50 51 52 53 54 55 56 57 58 59 60 61 62 63 64 65 66 67 68 69 70 71 72 73 74 75 76 77 78 79 80											
CARD	2 4	B L O W D O W N I F R A C T I O N P R O C E S S E D										()
CARD	2 5	D F I = () D F C S = () D F O I = ()										()
CARD	2 6	C O I L I F I C A T I O N I () D A Y S P R O C E S S I () D A Y S I F R A C T I D I S C H I ()										()
CARD	2 7	R E G E N E R A T I O N I F I L O W I R A T I E I (G I P I)										()
CARD	2 8	D F I = () D F C S = () D F O I = ()										()
CARD	2 9	C O I L I F I C A T I O N I () D A Y S P R O C E S S I () D A Y S I F R A C T I D I S C H I ()										()
CARD	3 0	I S I T H E R I E I C O N T I N U O U S I S T R I P I N G I Q F I F U L L U E T Q W N I F I L O W I ? I O I ? I O R I ? ()										()
CARD	3 1	T A U 1 I H O I L D U P I T I M E I F O R X E N O I N (D A Y S)										()
CARD	3 2	T A U 2 I H O I L D U P I T I M E I F O R K R Y B T O M (D A Y S)										()
CARD	3 3	T A U 3 I F I L I T I M E I O F D E C A Y T A N K S F O R T H E G A S S T B I P P E R (D A Y S)										()
CARD	3 4	G A S W A S T E S Y S T E M H E P A I ? ()										()
CARD	3 5	F U E L H A I N D I G B I L D I G C H A R C O A L ? () H E P A I ? ()										()
CARD	3 6	A U X I L I A R Y B I L D I G C H A R C O A L ? () H E P A I ? ()										()
CARD	3 7	C O N V I O I I C O N I T A I N I M E I N T I V I O L U M E I (M I L L I Q N F I T I)										()
CARD	3 8	C O N T I M I T A T M I O R A N U R C H A R C O A L ? () H E P A I ? () R A T I E I (I O I O C F M)										()
CARD	3 9	C I N I T I M T I H I G H I V I O U P U R G C H A R C O A L ? () H E P A I ? () N U M B E R I Y E A R I										()
CARD	4 0	C I N I T I M T I I O W W O L P U R G E C H A R C O A L ? () H E P A I ? () R A T I E I (C F M)										()
CARD	4 1	F V N I F R A C T I O N I I O D I N E I R E L I E A S E D F R O M B L O W D O W N T A I N K I V E I N T I										()
CARD	4 2	F I J P E R C E N T I O F I Q D I N E R R M O V E D F R O M A I R E W E I C T O R I R E L I E A S E										()
CARD	4 3	P F L A U N I D E T F R I G E N T W A S T E P I F										()
1 2 3 4 5	6 7 8 9 10 11 12 13 14 15 16 17 18 19 20 21 22 23 24 25 26 27 28 29 30 31 32 33 34 35 36 37 38 39 40 41 42 43 44 45 46 47 48 49 50 51 52 53 54 55 56 57 58 59 60 61 62 63 64 65 66 67 68 69 70 71 72 73 74 75 76 77 78 79 80											

CARD	NAME	NAME OF REACTOR	SAMPLE PWR	REV 1	TYPE =	PWR
CARD 2	POWTH	THERMAL POWER LEVEL (MEGAWATTS)				3400.
CARD 3	PCVOL	MASS OF PRIMARY COOLANT (THOUSAND LBS)				550.
CARD 4	LETDWN	PRIMARY SYSTEM LETDOWN RATE (GPM)				75.
CARD 5	CBFLR	LETDOWN CATION DEMINERALIZER FLOW (GPM)				7.5
CARD 6	NOGEN	NUMBER OF STEAM GENERATORS				4.
CARD 7	TOSTFL	TOTAL STEAM FLOW (MILLION LBS/HR)				15.
CARD 8	WLI	MASS OF LIQUID IN EACH STEAM GENERATOR (THOUSAND LBS)				112.5
CARD 9	BLWDWN	BLOWDOWN-THOUS LB/HR 75.0	BLOWDOWN TREATMENT-INPUT	0,1, OR 2	0	
CARD 10	REGENT	CONDENSATE DEMINERALIZER REGENERATION TIME (DAYS)				8.4
CARD 11	FFCDM	CONDENSATE DEMINERALIZER FLOW FRACTION				0.65
CARD 12		SHIM BLEED RATE	1440.	GPD		
CARD 13		DFI= 5.0E03DFCS= 2.0E03DFO = 1.0E05				
CARD 14		COLLECTION 22.6 DAYS PROCESS	0.93	DAYS FRACT DISCH	.1	
CARD 15		EQUIPMENT DRAINS INPUT	330.0	GPD AT 0.97	PCA	
CARD 16		DFI= 5.0E03DFCS= 2.0E03DFO = 1.0E05				
CARD 17		COLLECTION 22.6 DAYS PROCESS	0.93	DAYS FRACT DISCH	.1	
CARD 18		CLEAN WASTE INPUT	980.	GPD AT .093	PCA	
CARD 19		DFI= 5.0E02DFCS= 1.0E03DFO = 1.0E04				
CARD 20		COLLECTION 5.7 DAYS PROCESS	0.13	DAYS FRACT DISCH	0.1	
CARD 21		DIRTY WASTES	2100.	GPD AT 0.01	PCA	
CARD 22		DFI= 5.0E02DFCS= 1.0E03DFO = 1.0E04				
CARD 23		COLLECTION 3.8 DAYS PROCESS	0.19	DAYS FRACT DISCH	1.0	
CARD 24		BLOWDOWN FRACTION PROCESSED			1.	
CARD 25		DFI= 1.0E03DFCS= 1.0E02DFO = 1.0E03				
CARD 26		COLLECTION 0.0 DAYS PROCESS	0.0	DAYS FRACT DISCH	0.0	
CARD 27		REGENERANT FLOW RATE (GPD)			3400.	
CARD 28		DFI= 5.0E02DFCS= 1.0E03DFO = 1.0E04				
CARD 29		COLLECTION 4.7 DAYS PROCESS	0.37	DAYS FRACT DISCH	0.1	
CARD 30		IS THERE CONTINUOUS STRIPPING OF FULL LETDOWN FLOW?	0,1,OR 2		0	
CARD 31	TAU1	HOLDUP TIME FOR XENON (DAYS)				60.
CARD 32	TAU2	HOLDUP TIME FOR KRYPTON (DAYS)				60.
CARD 33	TAU3	FILL TIME OF DECAY TANKS FOR THE GAS STRIPPER (DAYS)				30.
CARD 34		GAS WASTE SYSTEM HEPA?99.				
CARD 35		FUEL HANDLG BLDG CHARCOAL?90. HEPA?99.				
CARD 36		AUXILIARY BLDG CHARCOAL?90. HEPA?99.				
CARD 37	CONVOL	CONTAINMENT VOLUME (MILLION FT3)				2.45
CARD 38		CNTMT ATM. CLEANUP CHARCOAL?0.0 HEPA?0.0 RATE(1000CFM)				
CARD 39		CNTMT-HIGH VOL PURGE CHARCOAL?90. HEPA?99. NUMBER/YEAR				0.0
CARD 40		CNTMT LOW VOL PURGE CHARCOAL?90. HEPA?99. RATE (CFM)				1000.
CARD 41	FVN	FRACTION IODINE RELEASED FROM BLOWDOWN TANK VENT				0.0
CARD 42	FEJ	PERCENT OF IODINE REMOVED FROM AIR EJECTOR RELEASE				0.0
CARD 43	PFLAUN	DETERGENT WASTE PF				1.

SAMPLE PWR REV 1		PWR
THERMAL POWER LEVEL (MEGAWATTS)		3400.0000
PLANT CAPACITY FACTOR		0.0000
MASS OF PRIMARY COOLANT (THOUSAND LBS)		550.0000
PRIMARY SYSTEM LETDOWN RATE (GPM)		75.0000
LETDOWN CATION DEMINERALIZER FLOW (GPM)		7.5000
NUMBER OF STEAM GENERATORS		4.0000
TOTAL STEAM FLOW (MILLION LBS/HR)		15.0000
MASS OF LIQUID IN EACH STEAM GENERATOR (THOUSAND LBS)		112.5000
MASS OF WATER IN STEAM GENERATORS (THOUSAND LBS)		450.0000
BLOWDOWN RATE (THOUSAND LBS/HR)		75.0000
PRIMARY TO SECONDARY LEAK RATE (LBS/DAY)		75.0000
CONDENSATE DEMINERALIZER REGENERATION TIME (DAYS)		8.4000
FISSION PRODUCT CARRY-OVER FRACTION		.0050
HALOGEN CARRY-OVER FRACTION		.0100
CONDENSATE DEMINERALIZER FLOW FRACTION		.6500

LIQUID WASTE INPUTS

STREAM	FLOW RATE (GAL/DAY)	FRACTION OF PCA	FRACTION DISCHARGED	COLLECTION TIME (DAYS)	DECAY TIME (DAYS)	DECONTAMINATION FACTORS		
						I	CS	OTHERS
SHIM BLEED RATE	1.44E+03	1.0000	.1000	22.0000	.9300	5.00E+03	2.00E+03	1.00E+05
EQUIPMENT DRAINS	3.30E+02	.9700	.1000	22.0000	.9300	5.00E+03	2.00E+03	1.00E+05
CLEAN WASTE INPUT	9.90E+04	.0930	.1000	9.7000	.1300	5.00E+02	1.00E+03	1.00E+04
DIRTY WASTES	2.10E+03	.0100	1.0000	2.0000	.1900	5.00E+02	1.00E+03	1.00E+04
BLOWDOWN	2.16E+05	0.0000	0.0000	0.0000	0.0000	1.00E+03	1.00E+03	1.00E+03
UNTREATED BLOWDOWN	0.	1.0000	0.0000	0.0000	0.0000	1.00E+00	1.00E+00	1.00E+00
REGENERANT SOLS	3.40E+02		.100	4.700	.370	5.00E+02	1.00E+03	1.00E+04

GASEOUS WASTE INPUTS

THERE IS NOT CONTINUOUS STRIPPING OF FULL LETDOWN FLOW		
HOLDUP TIME FOR XENON (DAYS)		60.0000
HOLDUP TIME FOR KRYPTON (DAYS)		60.0000
FILL TIME OF DECAY TANKS FOR THE GAS STRIPPER (DAYS)		30.0000
GAS WASTE SYSTEM PARTICULATE RELEASE FRACTION		.0100
AUXILIARY BLDG IODINE RELEASE FRACTION		.1000
PARTICULATE RELEASE FRACTION		.0100
CONTAINMENT VOLUME (MILLION FT3)		2.4500
FREQUENCY OF CNTMT BLDG HIGH VOL PURGE (TIMES/YR)		2.0000
CNTMT-HIGH VOL PURGE IODINE RELEASE FRACTION		.1000
PARTICULATE RELEASE FRACTION		.0100
CNTMT LOW VOL PURGE RATE (CFM)		1000.0000
CNTMT LOW VOL PURGE IODINE RELEASE FRACTION		.1000
PARTICULATE RELEASE FRACTION		.0100
STEAM LEAK TO TURBINE BLDG (LBS/HR)		1700.0000
FRACTION IODINE RELEASED FROM BLOWDOWN TANK VENT		0.0000
PERCENT OF IODINE REMOVED FROM AIR EJECTOR RELEASE		1.0000

FIGURE 3-2
PRINTOUT OF INPUT AND OUTPUT FOR THE SAMPLE PROBLEM

SAMPLE MWR REV 1

LIQUID EFFLUENTS

NUCLIDE HALF-LIFE (DAYS)	COOLANT CONCENTRATIONS		ANNUAL RELEASES TO DISCHARGE CANAL					TOTAL LWS (CURIES)	ADJUSTED TOTAL (CI/YR)	DETERGENT WASTES (CI/YR)	TOTAL (CI/YR)
	PRIMARY (MICRO CI/ML)	SECONDARY (MICRO CI/ML)	BORNUN MS (CURIES)	MISC. WASTES (CURIES)	SECONDARY (CURIES)	TURB BLDG (CURIES)					
CORROSION AND ACTIVATION PRODUCTS											
NA 24	6.25E-01	4.70E+04	1.42E-06	.00000	.00003	.00000	.00005	.00009	.00114	0.00000	.00110
P 32	1.43E+01	0.	0.	0.00000	0.00000	0.00000	0.00000	0.00000	0.00000	.00018	.00018
CR 51	2.78E+01	3.10E-03	1.22E-07	.00000	.00001	.00000	.00001	.00002	.00025	.00470	.00500
MN 54	3.03E+02	1.60E+03	6.08E-08	.00000	.00001	.00000	.00000	.00001	.00014	.00380	.00390
FE 55	9.50E+02	1.20E+03	4.59E-08	.00000	.00000	.00000	.00000	.00001	.00010	.00720	.00730
FE 59	4.50E+01	3.00E+04	1.12E-08	.00000	.00000	.00000	.00000	.00000	.00002	.00220	.00220
CO 58	7.13E+01	4.60E+03	1.78E-07	.00000	.00002	.00000	.00001	.00003	.00038	.00790	.00830
CO 60	1.92E+03	5.30E+04	2.06E-08	.00000	.00000	.00000	.00000	.00000	.00005	.01400	.01400
NI 63	3.36E+04	0.	0.	0.00000	0.00000	0.00000	0.00000	0.00000	0.00000	.00170	.00170
ZN 65	2.45E+02	5.10E+04	1.97E-08	.00000	.00000	.00000	.00000	.00000	.00004	0.00000	.00004
M 187	9.96E-01	2.50E+03	8.22E-08	.00000	.00000	.00000	.00000	.00001	.00008	0.00000	.00008
NP239	2.35E+00	2.70E-03	7.90E-08	.00000	.00000	.00000	.00000	.00001	.00011	0.00000	.00011
FISSION PRODUCTS											
SR 89	5.20E+01	1.40E+04	5.34E-09	.00000	.00000	.00000	.00000	.00000	.00001	.00009	.00010
SR 90	1.03E+04	1.20E+05	4.59E-10	.00000	.00000	.00000	.00000	.00000	.00000	.00001	.00001
SN 91	4.03E-01	9.60E-04	2.67E-08	.00000	.00000	.00000	.00000	.00000	.00002	0.00000	.00002
Y 91M	3.47E-02	4.60E+04	3.16E-09	.00000	.00000	.00000	.00000	.00000	.00001	0.00000	.00001
Y 91	5.08E+01	5.20E+09	1.97E-10	.00000	.00000	.00000	.00000	.00000	.00000	.00008	.00009
Y 93	4.25E-01	4.20E+03	1.14E-07	.00000	.00000	.00000	.00000	.00001	.00007	0.00000	.00007
ZR 95	6.50E+01	3.90E+04	1.50E-08	.00000	.00000	.00000	.00000	.00000	.00003	.00110	.00110
NB 95	3.50E+01	2.80E-04	1.03E-08	.00000	.00000	.00000	.00000	.00000	.00002	.00190	.00190
MO 99	2.79E+00	6.40E+03	2.35E-07	.00000	.00002	.00000	.00001	.00003	.00035	.00006	.00041
TC 99M	2.50E-01	4.70E+03	1.06E-07	.00000	.00002	.00000	.00001	.00002	.00030	0.00000	.00030
RU103	3.46E+01	7.50E+03	2.90E-07	.00000	.00004	.00000	.00001	.00005	.00062	.00029	.00091
RH103M	3.96E-02	0.	0.	.00000	.00000	.00000	.00001	.00005	.00061	0.00000	.00061
RU106	3.47E+02	9.00E+02	3.46E-06	.00004	.00037	.00000	.00017	.00059	.00766	.00990	.01700
RH106	3.47E-04	0.	0.	.00004	.00037	.00000	.00017	.00059	.00766	0.00000	.00770
AG110M	2.57E+02	1.30E+03	4.96E-08	.00000	.00001	.00000	.00000	.00001	.00011	.00120	.00130
AG110	2.02E-04	0.	0.	.00000	.00000	.00000	.00000	.00000	.00001	0.00000	.00001
SB124	0.00E+01	0.	0.	0.00000	0.00000	0.00000	0.00000	0.00000	0.00000	.00043	.00043
TE129M	3.40E+01	1.90E+04	7.30E-09	.00000	.00000	.00000	.00000	.00000	.00002	0.00000	.00002
TE129	4.79E-02	2.40E+02	2.17E-07	.00000	.00000	.00000	.00000	.00000	.00002	0.00000	.00002
TE131M	1.25E+00	1.50E+03	5.09E-08	.00000	.00000	.00000	.00000	.00000	.00006	0.00000	.00006
I131	8.05E+00	4.50E+04	1.36E-06	.00017	.00309	.00001	.00013	.00340	.04429	.00160	.04600
TE132	3.25E+00	1.70E+03	6.20E-08	.00000	.00000	.00000	.00000	.00001	.00010	0.00000	.00010
I132	9.58E-02	2.10E+01	2.77E-06	.00000	.00019	.00000	.00005	.00024	.00313	0.00000	.00310
I133	8.75E-01	1.40E+01	3.75E-06	.00003	.00290	.00000	.00031	.00325	.04226	0.00000	.04200
I134	3.67E-02	3.40E+01	2.27E-06	.00000	.00001	0.00000	.00000	.00002	.00021	0.00000	.00021
CS134	7.49E+02	7.10E+03	2.84E-07	.00000	.00029	.00000	.00001	.00081	.01060	.01100	.02200
I135	2.79E-01	2.60E+01	5.47E-06	.00000	.00133	.00000	.00029	.00163	.02122	0.00000	.02100
CS136	1.30E+01	8.70E+04	3.45E-08	.00003	.00003	.00000	.00000	.00007	.00089	.00037	.00130
CS137	1.10E+04	9.40E+03	3.79E-07	.00008	.00039	.00000	.00002	.00109	.01413	.01600	.03000
BA137M	1.77E-03	0.	0.	.00003	.00037	.00000	.00002	.00102	.01322	0.00000	.01300
BA140	1.28E+01	1.30E+02	4.87E-07	.00000	.00005	.00000	.00002	.00008	.00098	.00091	.00190
LA140	1.68E+00	2.50E+02	8.76E-07	.00000	.00007	.00000	.00004	.00017	.00155	0.00000	.00160
CE141	3.24E+01	1.50E+04	5.71E-09	.00000	.00000	.00000	.00000	.00000	.00001	.00023	.00024
CE143	1.38E+00	2.80E+03	9.43E-08	.00000	.00000	.00000	.00000	.00001	.00011	0.00000	.00011
PR143	1.37E+01	0.	0.	.00000	.00000	.00000	.00000	.00000	.00001	0.00000	.00001
CE144	2.04E+02	3.90E+03	1.50E-07	.00000	.00002	.00000	.00001	.00003	.00033	.00390	.00420
PR144	1.20E-02	0.	0.	.00000	.00002	.00000	.00001	.00003	.00033	0.00000	.00033
ALL OTHERS		2.14E+01	6.26E-07	.00000	.00000	.00000	.00000	.00000	.00001	0.00000	.00001
TOTAL (EXCEPT TRITIUM)	1.48E+00	2.52E-05	.00216	.00972	.00001	.00141	.01331	.17331	.08975	.26000	

TRITIUM RELEASE 280 CURIES PER YEAR
NOTE: .00000 INDICATES THAT THE VALUE IS LESS THAN 1.0E-5.

	PWR
SAMPLE PWR REV 1	
THERMAL POWER LEVEL (MEGAWATTS)	3400.00000
PLANT CAPACITY FACTOR	0.80
MASS OF PRIMARY COOLANT (THOUSAND LBS)	550.00000
PRIMARY SYSTEM LETDOWN RATE (GPM)	75.00000
LETDOWN CATION DEMINERALIZER FLOW (GPM)	7.50000
NUMBER OF STEAM GENERATORS	4.00000
TOTAL STEAM FLOW (MILLION LBS/HR)	15.00000
MASS OF LIQUID IN EACH STEAM GENERATOR (THOUSAND LBS)	112.50000
BLOWDOWN RATE (THOUSAND LBS/HR)	75.00000
CONDENSATE DEMINERALIZER REGENERATION TIME (DAYS)	8.40000
CONDENSATE DEMINERALIZER FLOW FRACTION	.65000

LIQUID WASTE INPUTS

STREAM	FLOW RATE (GAL/DAY)	FRACTION OF PCA	FRACTION DISCHARGED	COLLECTION TIME (DAYS)	DECAY TIME (DAYS)	DECONTAMINATION FACTORS		
						I	CS	OTHERS
SWIM BLEED RATE	1.44E+04	1.0000	.1000	22.6000	.9300	5.00E+03	2.00E+00	1.00E+05
EQUIPMENT DRAINS	3.30E+02	.9700	.1000	22.6000	.9300	5.00E+03	2.00E+00	1.00E+05
CLEAN WASTE INPUT	9.80E+04	.0930	.1000	9.7000	.1300	5.00E+02	1.00E+00	1.00E+04
DIRTY WASTES	2.10E+03	.0100	1.0000	4.8000	.1900	5.00E+02	1.00E+00	1.00E+04
BLOWDOWN	2.16E+05		0.000	0.000	0.000	1.00E+03	1.00E+00	1.00E+03
UNTREATED BLOWDOWN	0.		1.000	0.000	0.000	1.00E+00	1.00E+00	1.00E+00
REGENERANT SOLS	3.40E+04		.100	4.700	.370	5.00E+02	1.00E+00	1.00E+04

GASEOUS WASTE INPUTS

THERE IS NOT CONTINUOUS STRIPPING OF FULL LETDOWN FLOW

FLOW RATE THROUGH GAS STRIPPER (GPM)	1.22917
HOLDUP TIME FOR XENON (DAYS)	60.00000
HOLDUP TIME FOR KRYPTON (DAYS)	60.00000
FILL TIME OF DECAY TANKS FOR THE GAS STRIPPER (DAYS)	30.00000
PRIMARY COOLANT LEAK TO AUXILIARY BLDG (LB/DAY)	160.00000
GAS WASTE SYSTEM PARTICULATE RELEASE FRACTION	.01000
FUEL HANDLG BLDG IODINE RELEASE FRACTION	.10000
PARTICULATE RELEASE FRACTION	.01000
AUXILIARY BLDG IODINE RELEASE FRACTION	.10000
PARTICULATE RELEASE FRACTION	.01000
CONTAINMENT VOLUME (MILLION FT3)	2.45000
FREQUENCY OF PRIMARY COOLANT DEGASSING (TIMES/YR)	2.00000
PRIMARY TO SECONDARY LEAK RATE (LR/DAY)	75.00000
THERE IS NOT A KIDNEY FILTER	
FRACTION IODINE BYPASSING CONDENSATE DEMINERALIZER	.35000
IODINE PARTITION FACTOR (GAS/LIQUID) IN STEAM GENERATOR	.01000
FREQUENCY OF CNMT BLDG HIGH VOL PURGE (TIMES/YR)	2.00000
CNMT-HIGH VOL PURGE IODINE RELEASE FRACTION	.10000
PARTICULATE RELEASE FRACTION	.01000
CNMT LOW VOL PURGE RATE (CFM)	1000.00000
CNMT LOW VOL PURGE IODINE RELEASE FRACTION	.10000
PARTICULATE RELEASE FRACTION	.01000
STEAM LEAK TO TURBINE BLDG (LBS/HR)	1700.00000
FRACTION IODINE RELEASED FROM BLOWDOWN TANK VENT	0.00000
PERCENT OF IODINE REMOVED FROM AIR EJECTOR RELEASE	1.00000

SAMPLE PWR REV 1

GASEOUS RELEASE RATE - CURIES PER YEAR

	PRIMARY COOLANT (MICROCI/GM)	SECONDARY COOLANT (MICROCI/GM)	BUILDING VENTILATION				BLOWDOWN VENT OFFGAS	AIR EJECTOR EXHAUST	TOTAL
			FUEL HANDLG	REACTOR	AUXILIARY	TURBINE			
14131	4.500E-02	1.397E-06	5.2E-04	3.7E-03	1.4E-02	0.	0.	0.	1.8E-02
14133	1.400E-01	3.777E-06	1.9E-03	7.9E-03	4.5E-02	1.0E-04	0.	0.	8.5E-02

TOTAL H-3 RELEASED VIA GASEOUS PATHWAY = 1100 CI/YR

C-14 RELEASED VIA GASEOUS PATHWAY = 7.3 CI/YR

AR-41 RELEASED VIA CONTAINMENT VENT = 34 CI/YR

GASEOUS RELEASE RATE - CURIES PER YEAR

	PRIMARY COOLANT (MICROCI/GM)	SECONDARY COOLANT (MICROCI/GM)	GAS STRIPPING		BUILDING VENTILATION			BLOWDOWN VENT OFFGAS	AIR EJECTOR EXHAUST	TOTAL
			SHUTDOWN	CONTINUOUS	REACTOR	AUXILIARY	TURBINE			
KR-ASH	1.600E-01	7.400E-08	0.	0.	4.8E+01	7.0E+00	0.	0.	2.0E+00	5.3E+01
KR-AS	4.300E-01	8.900E-08	2.1E+02	8.3E+02	9.4E+02	9.0E+00	0.	0.	4.0E+00	2.0E+03
KR-A7	1.500E-01	7.000E-08	0.	0.	1.4E+01	3.0E+00	0.	0.	1.0E+00	1.8E+01
KR-AS	2.800E-01	5.900E-08	0.	0.	5.0E+01	6.0E+00	0.	0.	3.0E+00	6.5E+01
XE-131M	7.300E-01	1.500E-07	1.1E+01	2.0E+01	1.5E+03	1.5E+01	0.	0.	7.0E+00	1.6E+03
XE-133M	7.000E-02	1.500E-08	0.	0.	1.0E+02	1.0E+00	0.	0.	0.	1.0E+02
XE-133	2.600E+00	5.400E-07	0.	0.	4.7E+03	5.5E+01	0.	0.	2.6E+01	4.8E+03
XE-135M	1.300E-01	2.700E-08	0.	0.	3.0E+00	3.0E+00	0.	0.	1.0E+00	7.0E+00
XE-135	8.500E-01	1.800E-07	0.	0.	4.8E+02	1.8E+01	0.	0.	9.0E+00	4.9E+02
XE-137	7.400E-02	7.100E-09	0.	0.	0.	0.	0.	0.	0.	0.
XE-138	1.200E-01	2.500E-08	0.	0.	2.0E+00	3.0E+00	0.	0.	1.0E+00	6.0E+00
TOTAL NOBLE GASES										9.1E+03

0.0 APPEARING IN THE TABLE INDICATES RELEASE IS LESS THAN 1.0 CI/YR FOR NOBLE GAS; 0.0001 CI/YR FOR I

AIRBORNE PARTICULATE RELEASE RATE-CURIES PER YEAR

NUCLIDE	WASTE GAS SYSTEM	BUILDING VENTILATION			TOTAL
		REACTOR	AUXILIARY	FUEL HANDLE	
CP451	1.4E-07	9.2E-05	3.2E-06	1.8E-06	9.7E-05
MN454	2.1E-08	5.3E-05	7.8E-07	3.0E-06	5.7E-05
CO457	0.	8.2E-06	0.	0.	8.2E-06
CO458	8.7E-08	2.5E-04	1.9E-05	2.1E-04	4.8E-04
CO460	1.4E-07	2.6E-05	5.1E-06	8.2E-05	1.1E-04
FE459	1.8E-08	2.7E-05	5.0E-07	0.	2.8E-05
SR489	4.4E-07	1.3E-04	7.5E-06	2.1E-05	1.6E-04
SR490	1.7E-07	5.2E-05	2.9E-06	8.0E-06	6.3E-05
ZR495	4.8E-08	0.	1.0E-05	3.6E-08	1.0E-05
NH495	3.7E-08	1.8E-05	3.0E-07	2.4E-05	4.2E-05
HU4103	3.2E-08	1.6E-05	2.3E-07	3.8E-07	1.7E-05
HU4106	2.7E-08	0.	6.0E-08	6.9E-07	7.8E-07
SB4125	0.	0.	3.9E-08	5.7E-07	6.1E-07
CS-134	3.3E-07	2.5E-05	5.4E-06	1.7E-05	4.8E-05
CS-136	5.3E-08	3.2E-05	4.8E-07	0.	3.3E-05
CS-137	7.7E-07	5.5E-05	7.2E-06	2.7E-05	9.0E-05
BA-140	2.3E-07	0.	4.0E-06	0.	4.2E-06
CE-141	2.2E-07	1.3E-05	2.6E-07	4.4E-09	1.3E-05

3. File 3: Nuclear data library for fuel materials and their transmutation products for use with the liquid effluent code.
4. File 4: Nuclear data library for fission products for use with the liquid effluent code.
5. File 5: A FORTRAN listing of the gaseous effluent code.

The tape is written in the following format:

DCB = (RECFM = FB, LRECL = 80, BLKSIZE = 3200)

Use of the tape requires two data cards in addition to those described in Chapter 1 containing the plant parameters. For a low enrichment uranium-235 oxide-fueled light water reactor, these cards should always contain the following data:

<u>Card</u>	<u>Column</u>	<u>Input Data</u>
1	1-72	Title
1	75	The value 2
2	1-10	The value 0.632
2	11-20	The value 0.333
2	21-30	The value 2.0
2	31-40	The value 1.0E-25
2	41-46	The date (month, day, year) of the calculation
2	48	The value 1
2	50	The value 0
2	52	The value 0

A description of the information contained in the nuclear data library can be found in the report ORNL-4628, "ORIGEN - The ORNL Isotope Generation and Depletion Code," dated May 1973.

3.4.2 FORTRAN PROGRAM LISTING

Figure 3-3 and 3-4 provides the program listings for the PWR-GALE Code gaseous and liquid determinations.

FIGURE 3-3

PROGRAM LISTING FOR GASEOUS DETERMINATION

000260

*DECK PGALEGS
 C GALE CODE FOR CALCULATING GASEOUS EFFLUENTS FROM PWRs. MODIFIED
 C AUG. 1979 TO IMPLEMENT APPENDIX I TO 10 CFR 50. REACTOR
 C WATER CONCENTRATIONS CALCULATED USING METHODS OF DRAFT STANDARD 000300
 C ANS 237 "RADIOACTIVE MATERIALS IN PRINCIPAL FLUID STREAMS OF 000310
 C LIGHT WATER COOLED NUCLEAR POWER PLANTS" DRAFT DATED MAY 20, 1974 000320

C THE FOLLOWING FIRST STATEMENT IS SPECIFIC FOR THE CDC USERS.
 C FOR THE IBM USERS, DELETE THIS STATEMENT.
 C

```

PROGRAM PGALEGS(INPUT,OUTPUT,TAPE5=INPUT,TAPE6=OUTPUT)
REAL NUCLID(13)
REAL PPART(18)
DIMENSION ACONT(13),CBPC(13),CBSP(13),ASHMC(13),ASHMS(13)
DIMENSION CBPP(13)
DIMENSION ASHIM(13),CYNCP(13),CONCS(13),DECON(13),FHBL(13)
DIMENSION DECOH(13),NAME(8),EUT(13),TBL(13),CPL(13),AXBL(13)
DIMENSION BVOG(13),TOT(13),X2(13),X3(13),X4(13),X5(13)
DIMENSION CTPRO(13),XP1(13),XP2(13),WORD(14),WARD(5),WURD(4)
DIMENSION PCBL(18),PAXBL(18),PCBP(18),PAXHP(18),PGWS(18),PTOTP(18)
DIMENSION PGWL(18),PCPCP(18),PCBSP(18),PRCONT(18)
DIMENSION PFHBL(18),PEHBP(18)
DIMENSION RNAX(2),RNAXS(2),RNFH(2),RNFHS(2),RNT(2),RNTS(2),RNS(2)
DATA NUCLID/" KR-85M"," KR-85"," KR-87"," KR-88"," XE-131M",
1" XE-133M"," XE-133"," XE-135M"," XE-135"," XE-137",
2" XE-138"," I-131"," I-133"/
DATA PPART/" CR-51"," MN-54"," CO-57"," CO-58"," CO-60"," FE-59",
1" SR-89"," SR-90"," ZR-95"," NB-95"," RU-103"," RU-106"," SB-125",
2" CS-134"," CS-136"," CS-137"," BA-140"," CE-141"/
    
```

C XP1 AND XP2 ARE THE PRIMARY COOLANT AND SECONDARY COOLANT
 C CONCENTRATIONS, RESPECTIVELY (MICROCI/GM).
 C
 C DATA XP1/1.6E-1,4.3E-1,1.5E-1,2.8E-1,7.3E-1,7.0E-2,2.6E+0,1.3E-1.8
 C 1.5E-1,3.4E-2,1.2E-1,4.5E-2,1.4E-1/
 C DATA XP2/3.4E-8,8.9E-8,3.0E-8,5.9E-8,1.5E-7,1.5E-8,5.4E-7,2.7E-8.1
 C 1.8E-7,7.1E-9,2.5E-8/

C DECAY CONSTANTS FOR THE CORRESPONDING NUCLID (1/SEC).
 C
 C DATA DECON/4.38E-5,2.03E-7,1.52E-4,6.88E-5,6.80E-7,3.55E-6,1.52E-6
 C 1,7.41E-4,2.09E-5,2.96E-3,8.14E-4,9.97E-7,9.17E-6/

C NORMALIZED IODINE ANNUAL RELEASE (CI/YR/MICROCI/GM).
 C
 C DATA RNS/0.32,0.32/
 C DATA RNAX/0.68,0.68/
 C DATA RNAXS/2.5,2.5/
 C DATA RNFH/0.038,0.038/
 C DATA RNFHS/0.093,0.094/
 C DATA RNT/3.8E3,3.8E3/
 C DATA RNTS/4.2E2,4.2E2/

C PARTICULATE ANNUAL RELEASE RATE (CI/YR)
 C
 C DATA PCRP/9.2E-3,5.3E+3,8.2E-4,2.5E-2,2.6E-3,6.7E-3,1.3E-2,5.2E-3,
 C 10.0E+0,1.8E-3,1.6E-3,0.0E+0,0.0E+0,2.5E-3,3.2E-3,5.5E-3,0.0E+0,1.3
 C 2E-3/
 C DATA PAXBP/3.2E-4,7.8E-5,0.0E+0,1.9E-3,5.1E-4,5.0E-5,7.5E-4,2.9E-4
 C 1,1.0E-3,3.0E-5,2.3E-5,6.0E-6,3.9E-6,5.4E-4,4.8E-5,7.2E-4,4.0E-4,2.
 C 26E-5/
 C DATA PFHBP/1.8E-4,3.0E-4,0.0E+0,2.1E-2,8.4E-3,0.0E+0,2.1E-3,8.0E-4

1,3.6E-6,2.4E-3,3.8E-5,6.9E-5,5.7E-5,1.7E-3,0.0E+0,2.7E-3,0.0E+0,4.
 24E-7/
 DATA PGWS/1.4E-5,2.1E+6,0.0E+0,8.7E-6,1.4E-5,1.8E-6,4.4E-5,1.7E-5,
 14.8E-6,3.7E-6,3.2E-6,2.7E-6,0.0E+0,3.3E-5,5.3E-6,7.7E-5,2.3E-5,2.2
 2E-6/

C
 C
 C

BUILT-IN PARAMETERS

OPFRA=0.80
 AUXLR=160.
 EM=2.0
 GENL=75.
 CLFNG=0.03
 CLFI=8.0E-6
 PURTIM=16.
 TBLK=1700.

C

AFPTEG=0.0
 READ(5,1000)NAME,TYPE
 WRITE(6,1440)
 WRITE(6,1000)NAME,TYPE
 READ(5,1010)WORD,POWTH
 WRITE(6,1010)WORD,POWTH
 WRITE(6,1020)
 READ(5,1010)WORD,PRIVOL
 WRITE(6,1010)WORD,PRIVOL
 READ(5,1010)WORD,DEMIFL
 WRITE(6,1010)WORD,DEMIFL
 READ(5,1010)WORD,CBFLR
 WRITE(6,1010)WORD,CBFLR
 READ(5,1010)WORD,GEN
 WRITE(6,1010)WORD,GEN
 READ(5,1010)WORD,TOSTFL
 WRITE(6,1010)WORD,TOSTFL
 READ(5,1010)WORD,WLI
 WRITE(6,1010)WORD,WLI
 WLI=GEN*WLI
 READ(5,1040)TBD,KFNRT
 WRITE(6,1050)TBD
 IF(KFNRT.EQ.0)FNRTSC=0.99
 IF(KFNRT.EQ.1)FNRTSC=0.9
 IF(KFNRT.EQ.2)FNRTSC=1.0
 READ(5,1010)WORD,REGENT
 WRITE(6,1010)WORD,REGENT

001800

004600

C
 C
 C

READ DATA FOR LIQUID INFORMATION

READ(5,1010)WORD,FFCDM
 WRITE(6,1010)WORD,FFCDM
 READ(5,1060)WARD,SBLUR
 CWA=1.0
 READ(5,1070)DFICW,DFCSCW,DFCW
 READ(5,1080)TC,TSTORC,CWFD
 WRITE(6,1090)
 WRITE(6,1100)
 WRITE(6,1110)WARD,SBLUR,CWA,CWFD,TC,TSTORC,DFICW,DFCSCW,DFCW
 READ(5,1120)WARD,EDFLR,EDA
 READ(5,1070)DFIED,DFCSED,DFED
 READ(5,1080)TE,TS,EDFD
 WRITE(6,1110)WARD,EDFLR,EDA,EDFD,TE,TS,DFIED,DFCSED,DFED
 READ(5,1120)WARD,DWFLR,DWFD
 READ(5,1070)DFIDW,DFCSDW,DFDW

004740

004760

004820

```

READ (5,108Q)TD,TSTORD,DWFU
WRITE (6,1110)WARD,DWFLR,DWA,DWFD,TD,TSTORD,DF1DW,DFCSDW,DFDW
READ (5,1120)WARD,DWFL2,BW2
HEAD (5,1070)DFID2,DFCSD2,VFD2
READ (5,1080)T2,TSTOR2,DWF2
WRITE (6,1110)WARD,DWFL2,DW2,DWF2,T2,TSTOR2,DF1D2,DFCSD2,DFD2
READ (5,1130)BDTFR
HEAD (5,1070)DFICM,DFCSCM,DFCM
READ (5,1080)TCM,TSTOR2,CMFD
READ (5,1130)RGWFR
HEAD (5,1070)DFIRG,DFCSR,DFRG
READ (5,1080)TRG,TSTORR,RGFD
IF (TBD.EQ.0.0) GO TO 30
BDFR=TBD*1.0E3*BDTFR/0.3476
WRITE (6,1140)BDFR,CMFD,TCM,TSTORR,DFICM,DFCSCM,DFCM
BDFR=TBD*1.0E3*ABS(1.-BDTFR)/0.3476
WRITE (6,1150)BDFR
IF (FFCDM.EQ.0.0) GO TO 50
30 IF (REGENT.EQ.0.0) GO TO 40
WRITE (6,1160)RGWFR,RGFD,TRG,TSTORR,DFIRG,DFCSR,DFRG
GO TO 50
40 RGWFR=0.0
WRITE (6,1160)RGWFR,RGFD,TRG,TSTORR,DFIRG,DFCSR,DFRG
C
C READ DATA FOR GAS INFORMATION
C
50 WRITE (6,1170)
READ (5,1180)KGTRWT
IF (KGTRWT.EQ.0) GO TO 70
GTRW=(DEMIFL-SBLDR/1440.)/DEMIFL
IF (KGTRWT.EQ.2) GO TO 60
WRITE (6,1190)
GO TO 80
60 GTRW=0.25*GTRW
WRITE (6,1200)
GO TO 80
70 GTRW=0.0
WRITE (6,1210)
80 SRB=GTRW*DEMIFL+(SBLDR+EDFLR)/1440.
WRITE (6,1220)SRB
READ (5,1010)WORD,TAU1
WRITE (6,1010)WORD,TAU1
READ (5,1010)WORD,TAU2
WRITE (6,1010)WORD,TAU2
READ (5,1010)WORD,TAU3
WRITE (6,1010)WORD,TAU3
WRITE (6,1230)
GWPRF=1.0
AXIRF=1.0
AXPRF=1.0
CHIRF=1.0
CHPRF=1.0
CLIRF=1.0
CLPRF=1.0
FHIRF=1.0
FHPRF=1.0
CAIRF=1.0
CAPRF=1.0
READ (5,1250)WURD,GWHRE
IF (GWHRE.GT.0.0)GWPRF=1.0-GWHRE/100.
WRITE (6,1260)WURD,GWPRF
HEAD (5,1270)WARD,FHCHRE,FUHRE
IF (FHCHRE.GT.0.0)FHIRF=1.0-FHCHRE/100.

```

005070

005090

005190

005210

005250

```

IF (FHHRE.GT.0.0) FHPRF=1.0-FHHRE/100.
WRITE(6,1280)WARD,FHIMF,FHPRF
READ(5,1270)WARD,AXCHRE,AXHRE
IF (AXCHRE.GT.0.0) AXIRF=1.0-AXCHRE/100.
IF (AXHRE.GT.0.0) AXPRF=1.0-AXHRE/100.
WRITE(6,1280)WARD,AXIMF,AXPRF
READ(5,1010)WORD,CONVOL
WRITE(6,1010)WORD,CONVOL
WRITE(6,1290)
READ(5,1370)WARD,CACHRE,CAHRE,CFM
IF (CACHRE.GT.0.0) CAIRF=1.0-CACHRE/100.
IF (CAHRE.GT.0.0) CAPRF=1.0-CAHRE/100.
IF (CFM.EQ.0.0) GO TO Y0
KID=1
WRITE(6,1300)CFM,PURTIM
GO TO 100
90 KID=0
WRITE(6,1310)
100 IF (FFCDM.GT.0.0) GO TO 110
WRITE(6,1320)
GO TO 120
110 FIBCD=1.0-FFCDM
WRITE(6,1330)FIBCD
120 IF (TBD.EQ.0.0) GO TO 130
CON=0.01
WRITE(6,1340)CON
GO TO 140
130 CON=1.0
WRITE(6,1340)CON
140 READ(5,1350)WARD,CHCHRE,CHHRE,ENP
IF (CHCHRE.GT.0.0) CHIRF=1.0-CHCHRE/100.
IF (CHHRE.GT.0.0) CHPRF=1.0-CHHRE/100.
EN=2.0+ENP
WRITE(6,1360)EN
WRITE(6,1280)WARD,CHIRF,CHPRF
READ(5,1370)WARD,CLCHRE,CLHRE,PNOV1
IF (CLCHRE.GT.0.0) CLIRF=1.0-CLCHRE/100.
IF (CLHRE.GT.0.0) CLPRF=1.0-CLHRE/100.
IF (PNOV1.LT.1.0) GO TO 150
WRITE(6,1380)WARD,PNOV1,WARD,CLIRF,CLPRF
GO TO 160
150 WRITE(6,1390)
160 WRITE(6,1400)TBLK
READ(5,1010)WORD,FVN
WRITE(6,1010)WORD,FVN
READ(5,1010)WORD,FEJP
FEJP=1.0-FEJP/100.
WRITE(6,1010)WORD,FEJP
READ(5,1010)WORD,PFLAUN
IF (PFLAUN.LE.0.0) WRITE(6,1430)

```

005710

005840

006210
006220
006230
006240
006260
006270
006280
006290
006300
006310
006320
006330

C
C
C

CONVERSION OF UNITS

```

TOSTFL=TOSTFL*1000000.
WLI=WLI*1000.
CONVOL=CONVOL*1000000.
CFM=CFM*1000.
TBD=TBD*1E3
PRIVOL=PRIVOL*1E3
DEMIFL=DEMIFL*500.53
SBLDR=SBLDR*.3476
EDFLR=EDFLR*.3476

```

```

DWFLR=DWFLR*.3476                                006340
DWFL2=DWFL2*.3476                                006350
CBFLR=CBFLR*500.53                               006360
C
C H3COPW IS THE PWR TRIIUM PRIMARY COOLANT CONCENTRATION IN UCI/GM 0063A0
C
H3COPW=1.0                                         006390
H3PRPW=0.4*POWTH
TPLRPW=SBLDR*CWA*CWFD+EDFLR*EDA*EDFD+DWFLR*DWA*DWF+DWFL2*DW2*DWF2006400
H3RLPW=TPLRPW*H3COPW*.977                         006410
IF (H3RLPW.GT.0.9*H3PRPW) H3RLPW=0.9*H3PRPW
H3RLG=H3PRPW-H3RLPW                               006430
DIV=10.** (INT (ALOG10 (H3RLG)) -1)                006440
IDIV=DIV                                           006450
IH3RLG=INT (H3RLG/DIV+0.5) *IDIV                 006460
IF (TAU3.EQ.0.) TAU3=.01                          006470
SRB=SRB*500.53                                    006480
PE=365./TAU3                                       006490
T1=3.1557E7/EN*OPFRA                               006500
T3=3.1557E+07/PE                                    006510
T4=TAU1*86400.                                       006520
T5=TAU2*86400.                                       006530
DO 190 I=1,13
190 DECOH(I)=DECON(I)*3600.
DO 200 I=1,13
200 CONCP(I)=XP1(I)
IF (POWTH.LT.3000..OR.POWTH.GT.3800.) GO TO 210
IF (PRIVOL.LT.5.0E5..OR.PRIVOL.GT.6.0E5) GO TO 210
IF (DEM1FL.LT.3.2E4..OR.DEM1FL.GT.4.2E4) GO TO 210
IF (SBLDR.LT.250..OR.SBLDR.GT.1000.) GO TO 210
IF (CBFLR.GT.7500.) GO TO 210
IF (KGTWWT.GI.0) GO TO 210
GO TO 240
210 AFPTEG=1.0
RNG2=(SBLDR+DEM1FL* GTRW)/PRIVOL                   006660
RHAL2=(DEM1FL*0.99+0.01*SBLDR)/PRIVOL
RK2G=161.76*POWTH/PRIVOL
DO 230 I=1,13
IF (I.GT.11) GO TO 220
CONCP(I)=CONCP(I)*RK2G*(.0009+DECOH(I))/(RNG2+DECOH(I))
GO TO 230
220 CONCP(I)=CONCP(I)*RK2G*(0.067+DECOH(I))/(RHAL2+DECOH(I))
230 CONTINUE
240 IF (TBD.EQ.0.0) GO TO 280
C
C PWTYPE=1.0 IS FOR PWR$ WITH U-TUBE STEAM GENERATORS
C
PWTYPE=1.0                                         0067A0
DO 250 I=1,11
250 CONCS(I)=XP2(I)
CONCS(12)=1.8E-6
CONCS(13)=4.8E-6
IF (AFPTEG.EQ.1.0) GO TO 300
IF (WLI.LT.4.0E5..OR.WLI.GT.5.0E5) GO TO 300
IF (TOSTFL.LT.1.3E7..OR.TOSTFL.GT.1.7E7) GO TO 300
IF (TBD.LT.5.0E4..OR.TBD.GT.1.0E5) GO TO 300
IF (FFCDM.GT.0.01) GO TO 300
GO TO 340
C
C PWTYPE=2.0 IS FOR PWR$ WITH ONCE-THROUGH STEAM GENERATORS
C
280 PWTYPE=2.0
DO 290 I=1,11

```

```

290  CONCS(I)=XP2(I)
      CONCS(12)=5.2E-8
      CONCS(13)=1.6E-7
      IF (AFPTEG.EQ.1.0) GO TO 300
      IF (TOSTFL.LT.1.3E7.OR.TOSTFL.GT.1.7E7) GO TO 300
      IF (FFCDM.LT.0.55.OR.FFCDM.GT.0.75) GO TO 300
      GO TO 340
300  CONTINUE
      IF (FFCDM.GT.0.01.AND.FFCDM.LT.1.0) FFCDM=0.2
      RHAL3=(TBD*FNRTSC+.9*CON*TOSTFL*FFCDM)/WLI
      DO 330 I=1,13
      IF (I.GT.11) GO TO 310
      CONCS(I)=CONCS(I)*1.5E7/TUSTFL*(CONCP(I)/XP1(I))
      GO TO 330
310  IF (PWTYPER.EQ.2.0) GO TO 320
      CONCS(I)=CONCS(I)*(4.5E5/WLI)*(0.17+DECOH(I))/(RHAL3+DECOH(I))*
1 (CONCP(I)/XP1(I))
      GO TO 330
320  CONCS(I)=CONCS(I)*(1.0E5/WLI)*(27.0+DECOH(I))/(RHAL3+DECOH(I))*
1 (CONCP(I)/XP1(I))
330  CONTINUE
340  PNOV=PNOV1/CONVOL*60.
C
C   THIS PART OF PROGRAM IS FOR NOBLE GASES
C
      J=0
      DO 370 I=1,13
      X2(I)=(DECON(I)+PNOV/3600.)*T1
      IF (X2(I).GT.30.) X2(I)=30.
      X3(I) = DECON(I) * T3
      IF (X3(I).GT.30.) X3(I)=30.
      X4(I) = DECON(I) * T4
      IF (X4(I).GT.30.) X4(I)=30.
      X5(I) = DECON(I) * T5
      XDK=X5(I)
      IF (X5(I).GT.30.) XDK=30.
      IF (I.GT.11) GO TO 350
      IF (I.GT.4) XDK=X4(I)
      CTPRO(I)=(CONCP(I)*PRIVOL*CLFNG)/(DECOH(I)+PNOV)*1.892E-5
      ACONT(I)=CTPRO(I)*(1.-EXP(-X2(I)))
      ASHIM(I)=(CONCP(I)*SRQ)/DECOH(I)*4.54E-4*(1.-EXP(-X3(I)))
      AXBL(I)=CONCP(I)*AUXLM*.1657*OPFRA
      CBCP(I)= EN * PNOV * (CTPRO(I)*T1/3600.+CTPRU(I)*(EXP(-X2(I))-1.)
1/(DECOH(I)+PNOV))
      CBSP(I)=EN*ACONT(I)
      CBL(I)=CBCP(I)+CBSP(I)
      ASHIMC(I)=PE*ASHIM(I)*EXP(-XDK)*OPFRA
      ASHIMS(I)=EM*CONCP(I)*PRIVOL*4.54E-4*EXP(-XDK)
      EJT(I)=CONCS(I)*TOSTFL*3.977*OPFRA
      TBL(I)=CONCS(I)*TBLK*3.977*OPFRA
      FHBL(I)=0.0
      BVOG(I)=0.0
      TEST=1.0
      IF (CBL(I).LT.TEST)CBL(I)=0.0
      IF (ASHIMS(I).LT.TEST)ASHIMS(I)=0.0
      IF (ASHIMC(I).LT.TEST)ASHIMC(I)=0.0
      IF (EJT(I).LT.TEST)EJT(I)=0.0
      IF (TBL(I).LT.TEST)TBL(I)=0.0
      IF (AXBL(I).LT.TEST)AXBL(I)=0.0
      GO TO 370
C
C   THIS PART OF PROGRAM IS FOR IODINE

```

```

C
350 CTPRO(I)=(CONCP(I)*PRIVOL*CLFI)/(DECOH(I)+PNOV)*1.892E-5 007700
    ACONT(I)=CTPRO(I)*(1.-EXP(-X2(I))) 007720
    J=J+1
    AXBL(I)=(RNAX(J)+RNAXS(J))*CONCP(I)*AXIRF
    FHBL(I)=(RNFH(J)+RNFHS(J))*CONCP(I)*FHIRF
    ASHIMC(I)=0.0 007740
    ASHIMS(I)=0.0 007750
    EBCP(I)= EN * PNOV * (CTPRO(I)*T1/3600.+CTPRU(I)*(EXP(-X2(I))-1.) 007760
1/(DECOH(I)+PNOV))*CLIMF
    CBPP(I)=ENP*ACONT(I)*CHIRF
    CBSP(I)=RNS(J)*CONCP(I)*CUIRF
    CBL(I)=CBCP(I)+CBSP(I)+CBRP(I)
    EJT(I)=1.7E3*CONCS(I)*CON*FEJP
    TBL(I)=(RNT(J)+RNTS(J))*CONCS(I)*CON
    BVOG(I)=CONCS(I)*TBD*[VN*3.977*OPFRA 007830
    IF(KID.EQ.0) GO TO 360
    DLAK=(CFM*60.*CACHRE*0.01*0.7/CONVOL)+DECOH(I)
    EXX2=DLAK*PURTIM 007860
    IF(EXX2.GT.30.) EXX2=30.
    EXPF=EXP(-EXX2) 007880
    EXPC=1.-EXPF 007890
    ELSS=CHIRF*CONCP(I)*PRIVOL*CLFI*1.892E-5/DLAK*EXPC
    CBL(I)=CBPP(I)*EXPF+ELSS*ENP+CBCP(I)*(1.-PURTIM/(8760.*OPFRA/EN))+
12*CHIRF*0.16*CONCP(I)*PURTIM/(24.*32.5)*EXPC/(DLAK*PURTIM)
2*(CBSP(I)-2.*CHIRF*0.16*CONCP(I)*PURTIM/(24.*32.5))
360 TEST=0.0001
    IF(CBL(I).LT.TEST)CBL(I)=0.0 007930
    IF(EJT(I).LT.TEST)EJT(I)=0.0 007940
    IF(BVOG(I).LT.TEST)BVOG(I)=0.0 007950
    IF(TBL(I).LT.TEST)TBL(I)=0.0 007960
    IF(AXBL(I).LT.TEST)AXBL(I)=0.0 007970
    IF(FHBL(I).LT.TEST)FHBL(I)=0.0
370 CONTINUE
    MSIG=1 008020
    NSIG=13
    CALL SIGF2(CBL,MSIG,NSIG) 008040
    CALL SIGF2(ASHIMS,MSIG,NSIG) 008050
    CALL SIGF2(ASHIMC,MSIG,NSIG) 008060
    CALL SIGF2(EJT,MSIG,NSIG) 008070
    CALL SIGF2(BVOG,MSIG,NSIG) 008080
    CALL SIGF2(TBL,MSIG,NSIG) 008090
    CALL SIGF2(AXBL,MSIG,NSIG) 008100
    CALL SIGF2(FHBL,MSIG,NSIG)
    DO 380 I=1,13
    TOT(I)=CBL(I)+EJT(I)+TBL(I)+AXBL(I)+FHBL(I)+BVOG(I)+ASHIMC(I)+ASHI
1MS(I)
380 CONTINUE
    CALL SIGF2(TOT,MSIG,NSIG) 008140
    WRITE(6,1440)
    WRITE(6,1450)NAME
    WRITE(6,1460)
    WRITE(6,1560)
    WRITE(6,1480)
    DO 385 I=12,13
    WRITE(6,1495)NUCLID(I),CONCP(I),CONCS(I),FHBL(I),
1CBL(I),AXBL(I),TBL(I),BVOG(I),EJT(I),TOT(I)
385 CONTINUE
    WRITE(6,1480)
    WRITE(6,1510) IH3RLG
    WRITE(6,1440)
    WRITE(6,1450)NAME
    WRITE(6,1460)

```



```

WRITE(6,1470)
WRITE(6,1480)
GASTOT=0.0
DO 390 I=1,11
WRITE(6,1490)NUCLID(I),CONCP(I),CONCS(I),ASHIMS(I),ASHIMC(I),
1CBL(I),AXBL(I),TBL(I),BVOW(I),EJT(I),TOT(I)
GASTOT=GASTOT+TOT(I)
390 CONTINUE
DIV=10.***(INT(ALOG10(GASTOT))-1)
GASTOT=AINT(GASTOT/DIV+0.5)*DIV
WRITE(6,1500) GASTOT
WRITE(6,1480)
WRITE(6,1520)
WRITE(6,1440)
WRITE(6,1450)NAME
WRITE(6,1530)
WRITE(6,1540)
WRITE(6,1480)
QH=8760.*OPFRA/EN
008360
008370
008560
C
C THIS PART OF PROGRAM IS FOR THE PARTICULATES
C
DO 430 I=1,18
PRCONT(I)=PCBP(I)/(8760.*OPFRA)
IF(PNOV.GT.0.0) GO TO 410
PCBCP(I)=0.0
PCBSP(I)=EN*PRCONT(I)*QH*CHPRF
GO TO 420
410 PCBCP(I)=(EN*(QH*PRCONT(I)-PRCONT(I)/PNOV*(1.-EXP(-PNOV*QH))))
1*CLPRF
PCBSP(I)=(EN*(PRCONT(I)/PNOV*(1.0-EXP(-PNOV*QH))))*CHPRF
420 PCBL(I)=PCBCP(I)+PCBSP(I)
PAXBL(I)=PAXBP(I)*AXPMF
PFHBL(I)=PFHBP(I)*FHPMF
PGWL(I)=PGWS(I)*GWPRF
IF(KID.EQ.0) GO TO 430
PDLAK=CFM*60.*CAHRE*0.01*0.7/CONVOL
PEXX2=PDLAK*PURTIM
IF(PEXX2.GT.30.) PEXX2=30.
PEXPF=EXP(-PEXX2)
PEXPC=1.-PEXPF
PELSS=PRCONT(I)/PDLAK*PEXPC*CHPMF
PCBL(I)=PCBSP(I)*PEXPF+PELSS*EN+PCBCP(I)*(1.-PURTIM/(8760.*OPFRA/EN
1N))
008710
008730
008740
008760
008770
430 CONTINUE
MSIG=2
NSIG=18
CALL SIGF2(PCBL,MSIG,NSIG)
DO 440 I=1,18
PTOTP(I)=PCBL(I)+PAXBL(I)+PGWL(I)+PFHBL(I)
440 CONTINUE
CALL SIGF2(PTOTP,MSIG,NSIG)
DO 450 I=1,18
WRITE(6,1550)PPART(I),PGWL(I),PCBL(I),PAXBL(I),PFHBL(I),PTOTP(I)
450 CONTINUE
WRITE(6,1480)
STOP

```

```

C
C FORMATS          FORMAT#          FORMATS          FORMATS
C
1000 FORMAT(32X,8A4,12X,A4)
1005 FORMAT(16X,"BLOWDOWN IS PROCESSED THROUGH CONDENSATE DEMIN")

```

1007 FORMAT(16X,"BLOWDOWN IS NOT PROCESSED THROUGH COND. DEMIN.")
1010 FORMAT(16X,13A4,A2,F10.5)
1020 FORMAT(16X,"PLANT CAPACITY FACTOR",T74,"0.80")
1030 FORMAT(16X,"PERCENT FUEL WITH CLADDING DEFECTS",T74,F7.5)
1040 FORMAT(36X,F8.4,35X,I1)
1050 FORMAT(16X,"BLOWDOWN RATE (THOUSAND LBS/HK)",24X,F9.5)
1060 FORMAT(15X,4A4,A2,8X,F8.0)
1070 FORMAT(20X,F8.0,2(5X,F8.0))
1080 FORMAT(27X,F6.2,14X,F9.2,18X,F6.2)
1090 FORMAT(/," LIQUID WASTE INPUTS")
1100 FORMAT(30X,"FRACTION FRACTION COLLECTION DECAY"/8X,"STREAM
1 FLOW RATE OF PCA DISCHARGED TIME TIME",5X," DECONTAM
2 INATION FACTORS"/20X,"(GAL/DAY)",23X,"(DAYS) (DAYS)",7X,
3 "I",8X,"CS",8X,"OTHERS")
1110 FORMAT(2X,4A4,A2,1PE9.2,1X,4(0PF8.4,2X),3(1PE9.2,1X))
1120 FORMAT(15X,4A4,A2,8X,F8.0,7X,F6.4)
1130 FORMAT(70X,F10.5)
1140 FORMAT(2X,"BLOWDOWN",10X,1PE9.2,11X,F8.3,2X,2(F8.3,2X),
13(1PE9.2,1X))
1150 FORMAT(2X,"UNTREATED BLOWDOWN",1PE9.2,11X," 1.000 0.000
10.000 1.00E+00 1.00E+00 1.00E+00")
1160 FORMAT(2X,"REGENERANT SOLS ",1PE9.2,14X,0PF5.3,2X,2(F8.3,2X),
13(1PE9.2,1X))
1170 FORMAT(/," GASEOUS WASTE INPUTS")
1180 FORMAT(79X,I1)
1190 FORMAT(16X,"THERE IS CONTINUOUS STRIPPING OF FULL LETDOWN FLOW")
1200 FORMAT(16X,"THERE IS CONTINUOUS LOW VOL PURGE OF VOL. CONTROL TK")
1210 FORMAT(16X,"THERE IS NOT CONTINUOUS STRIPPING OF FULL LETDOWN FLOW")
1220 FORMAT(16X,"FLOW RATE THROUGH GAS STRIPPER (GPM)",19X,F9.5)
1230 FORMAT(16X,"PRIMARY COOLANT LEAK TO AUXILIARY BLDG (LB/DAY)",T72,
1"160.00000")
1250 FORMAT(16X,4A4,6X,F3.0)
1260 FORMAT(16X,4A4,4X,"PARTICULATE RELEASE FRACTION",6X,F10.5)
1270 FORMAT(16X,5A4,10X,F3.0,6X,F3.0)
1280 FORMAT(16X,5A4,"IODINE RELEASE FRACTION",11X,F10.5/36X,"PARTICULATE
1E RELEASE FRACTION",6X,F10.5)
1290 FORMAT(16X,"FREQUENCY OF PRIMARY COOLANT DEGASSING (TIMES/YR)",T74
1,"2.00000"/16X,"PRIMARY TO SECONDARY LEAK RATE (LB/DAY)",T72,
2" 75.00000")
1300 FORMAT(16X,"THERE IS A KIDNEY FILTER"/20X,"CONTAINMENT ATMOSPHERE
1 CLEANUP RATE (THOUSAND CFM)",T71,F10.5/20X,"PURGE TIME OF CONTAINM
2 ENT (HOURS)",T71,F10.5)
1310 FORMAT(16X,"THERE IS NOT A KIDNEY FILTER")
1320 FORMAT(16X,"THERE IS NOT A CONDENSATE DEMINERALIZER")
1330 FORMAT(16X,"FRACTION IODINE BYPASSING CONDENSATE DEMINERALIZER",
17X,T72,F9.5)
1340 FORMAT(16X,"IODINE PARTITION FACTOR (GAS/LIQUID) IN STEAM GENERATOR
1R ",F7.5)
1350 FORMAT(16X,5A4,10X,F3.0,6X,F3.0,19X,F3.0)
1360 FORMAT(16X,"FREQUENCY OF CNTMT BLDG HIGH VOL PURGE (TIMES/YR)",
1T73,F8.5)
1370 FORMAT(16X,5A4,10X,F3.0,6X,F3.0,14X,F8.2)
1380 FORMAT(16X,5A4,"RATE (CFM)",24X,F11.5/16X,5A4,"IODINE RELEASE FRACT
1 ION",11X,F10.5/36X,"PARTICULATE RELEASE FRACTION",6X,F10.5)
1390 FORMAT(16X,"THERE IS NOT A CNTMT BLDG LOW VOLUME PURGE")
1400 FORMAT(16X,"STEAM LEAK TO TURBINE BLDG (LBS/HK)",19X,F10.5)
1430 FORMAT("0",15X,"THERE IS NOT AN ON-SITE LAUNDRY")
1440 FORMAT(1H1)
1450 FORMAT(16X,8A4)
1460 FORMAT(1H0,67X,"GASEOUS RELEASE RATE - CURIES PER YEAR")
1470 FORMAT(1H0,11X,"PRIMARY",4X,"SECONDARY",7X,"GAS STRIPPING",11X,
1"BUILDING VENTILATION"/12X,"COOLANT",5X,"COOLANT",5X,21(" "-))

```

24X,30("-"),5X,"BLOWDOWN AIR EJECTOR TOTAL"/10X,"(MICROCI/GM) (M
3MICROCI/GM) SHUTDOWN CONTINUOUS REACTOR AUXILIARY TURBINE
4 VENT OFFGAS EXHAUST")
1480 FORMAT(1H0,130("-"))
1490 FORMAT("0 ",A8,2(2X,1PE10.3),8(3X,1PE8.1,1X))
1495 FORMAT("0 ",A8,2(2X,1PE10.3),12X,7(3X,1PE8.1,1X))
1500 FORMAT(1H0," TOTAL NOBLE GASES",101X,1PE8.1)
1510 FORMAT(1H0,30X,"TOTAL H-3 RELEASED VIA GASEOUS PATHWAY = ",I4," CI
1/YR"/31X,"C-14 RELEASED VIA GASEOUS PATHWAY = 7.3 CI/YR"/31X,
2"AR-41 RELEASED VIA CONTAINMENT VENT = 36 CI/YR")
1520 FORMAT(1H0,"0.0 APPEARING IN THE TABLE INDICATES RELEASE IS LESS
1THAN 1.0 CI/YR FOR NOBLE GAS, 0.0001 CI/YR FOR I")
1530 FORMAT(1H0,54X,"AIRBORNE PARTICULATE RELEASE RATE-CURIES PER YEAR"
")
1540 FORMAT(1H0,36X,"WASTE GAS",16X,"BUILDING VENTILATION"/2X,"NUCLIDE"
1,28X,"SYSTEM",14X,"REACTOR AUXILIARY FUEL HANDLG",7X,"TOTAL")
1550 FORMAT(1H0,A8,28X,1PE8.1,11X,1PE8.1,4X,1PE8.1,4X,1PE8.1,10X,1PE8.1
1)
1560 FORMAT(1H0,11X,"PRIMARY",4X,"SECONDARY",25X,"BUILDING VENTILATION"
1/12X,"COOLANT",5X,"COOLANT",15X,44("-"),6X,"BLOWDOWN AIR EJECTOR
2 TOTAL"/10X,"(MICROCI/GM) (MICROCI/GM)",12X,"FUEL HANDLG REACTO
3R AUXILIARY TURBINE VENT OFFGAS EXHAUST")
END 008930
*DECK SIGF2 008940
SUBROUTINE SIGF2(RLPT,MSIG,NSIG) 008950
DIMENSION RLPT(NSIG) 008960
IF (MSIG.EQ.2) GO TO 30 008970
DO 20 I=1,NSIG 008980
IF (RLPT(I).EQ.0.0) GO TO 20 008990
IF (I.GT.11) GO TO 10
C THIS PART OF SUBROUTINE IS FOR NOBLE GASES 009010
DIV=10.** (INT(ALOG10(RLPT(I)))-1) 009020
IF (RLPT(I).LT.10.) DIV=1.00 009030
RLPT(I)=AINT(RLPT(I)/DIV+0.5)*DIV 009040
GO TO 20 009050
C THIS PART OF SUBROUTINE IS FOR IODINE 009060
10 CONTINUE 009070
ISUB=2 009080
IF (RLPT(I).GT.1.0) ISUB=1 009090
DIV=10.** (INT(ALOG10(RLPT(I)))-ISUB) 009100
RLPT(I)=AINT(RLPT(I)/DIV+0.5)*DIV 009110
20 CONTINUE 009120
30 CONTINUE 009130
C THIS PART OF SUBROUTINE IS FOR PARTICULATES 009140
DO 50 I=1,NSIG 009150
IF (RLPT(I).EQ.0.) GO TO 50 009160
DIV=10.** (INT(ALOG10(RLPT(I)))-2) 009170
RLPT(I)=AINT(RLPT(I)/DIV+0.5)*DIV 009180
50 CONTINUE 009190
RETURN 009200
END 009210

```

FIGURE 3-4
PROGRAM LISTING FOR LIQUID DETERMINATION

```

*DECK PGALELQ                                000260
C   GALE CODE FOR CALCULATING LIQUID EFFLUENTS FROM PWRs. MODIFIED
C   AUG. 1979 TO IMPLEMENT APPENDIX I TO 10 CFR PART 50. REACTOR
C   WATER CONCENTRATIONS CALCULATED USING METHODS OF DRAFT STANDARD 000300
C   ANS 237 "RADIOACTIVE MATERIALS IN PRINCIPAL FLUID STREAMS OF 000310
C   LIGHT WATER COOLED NUCLEAR POWER PLANTS" DRAFT DATED MAY 20, 1974 000320
C   MODIFIED EDITION OF ORIGEN PROGRAM TO COMPUTE EFFLUENTS FROM RWR 000330
C   AND PWR RADWASTE SYSTEMS 000340
C   000350
C   STATEMENTS *PROGRAM PGALELQ* AND *LEVEL 2* ARE FOR CDC USERS.
C   FOR IBM USERS DELETE THESE STATEMENTS.
C
PROGRAM PGALELQ (INPUT,OUTPUT,TAPE5=INPUT,TAPE6=OUTPUT,
1  TAPE8)
  REALLETDWN,NOGEN                                000380
  REALLETDWA                                      000390
  COMMON/MATRIX/A(2500),LUC(2500),NONO(800),KD(800) 000420
  LEVEL 2,A,LUC,NONO,KD                          000380
  COMMON/CONST/MMN,ERR,MZERO
  COMMON/EQ/XTEMP(800),ANEW(10,800),B(800),U(800)
  COMMON/FLUXN/REGENT,D1S(800),ILITE,IACI,I1OT
  COMMON/OUT/NUCL(800)
  COMMON/CUNC/PCONC(800),SCUN(800),RINV(800)
  COMMON/COOL/REACTR,POW1,SBLDR,BLWDWN,FPEF,HEF,EDFLR,DFIED,DFCSED,
1  DFED,DFIDW,DFCSDW,DFUW,EVA,DWA,CWA,DFCM,DFICM,DFCSCM,
2  DFCW,DFICW,DFCSCW,BDIFR,EDFD,DWFD,CWFD,CMFD,IS,TE,TD,TC,TCM,
3  TSTORC,TSTURD,TSTORB,DWFL2,DW2,DWF2,I2,TSTOR2,DFID2,DFCSU2,DFD2,
4  PFLAUN,DWFLR
  COMMON/APCOUL/RGWR,DFIRG,DFCSR,DFRG,TRG,TSTURR,RGFD 000660
  COMMON/RUTES/RFNRT                              000670
  COMMON/CONP/PWCONC(800),SCUTV(800),SCOT(800)
  DIMENSION WORD15(4),WORD18(5),WORD56(14),WORD8(2),REACTR(7)
C
C   READ NUCLEAR DATA AND CONSTRUCT TRANSITION MATRIX 000870
C
C   CALL NUDATA(NLIBE)                              000890
C
C   DO 20 I=2,ITOT                                  000910
C   NONO(I)=NONO(I)+NONO(I-1)                       000920
C   KD(I)=KD(I)+NONO(I-1)                           000930
20
C   BUILT-IN PARAMETERS                              000940
C
C   PF=0.87
C   TBLK=1700.
C
C   MMN=0
C   MZERO=21
C   DO 30 J=1,800
C   PCONC(J)=0.0                                     001170
C   SCUN(J)=0.0                                      001190
C   RINV(J)=0.0                                      001200
30 CONTINUE
C
C   READ DESCRIPTION OF REACTOR AND RADWASTE TREATMENT PLANT 001250
C
C   PRINT 9026                                       001260
C   READ 9010,REACTR,TYPE                             001270
C   PRINT 9010,REACTR,TYPE                           001290
C   READ 9011,WORD56,POW1                             001300
C   PRINT 9011,WORD56,POW1                           001310
C   READ 9011,WORD56,POW1                             001320
C   PRINT 9011,WORD56,POW1                           001330

```

	PRINT 9027	001350
C	READ DATA FOR LIQUID INFORMATION	
C		
C		
	READ 9022,WORD56,PCVOL	001380
	PRINT 9022,WORD56,PCVOL	001390
	READ 9012,WORD56,LETOWN	001420
	PRINT 9012,WORD56,LETOWN	001430
	READ 9012,WORD56,CBFLK	001440
	PRINT 9012,WORD56,CBFLR	001450
	READ 9011,WORD56,NOGEN	001460
	PRINT 9011,WORD56,NOGEN	001470
	READ 9022,WORD56,STMF	001480
	PRINT 9022,WORD56,STMF	001490
	READ 9022,WORD56,WLI	001520
	PRINT 9022,WORD56,WLI	001530
	SCVOL=NOGEN*WLI	001540
	PRINT 9029,SCVOL	001550
	READ 9055,BLWDWN,KFNRT	001580
	PRINT 9051,BLWDWN	001590
	RFNRT=1.0	
	IF (KFNRT.EQ.2) RFNRT=0.0	
	PRINT 9041	001620
	READ 9012,WORD56,REGENT	001630
	PRINT 9012,WORD56,REGENT	001640
	IF (BLWDWN.EQ.0.0) GO TO 40	
	FPEF=0.005	
	HEF=0.01	001670
	PRINT 9030,FPEF,HEF	001680
	GO TO 50	
40	FPEF=1.0	
	HEF=1.0	001710
	PRINT 9030,FPEF,HEF	001720
50	READ 9020,WORD56,FFCDM	
	PRINT 9020,WORD56,FFCDM	001750
	IF (FFCDM.LT.0.001) GO TO 60	
	DFCB=10.0	001770
	DFCBCS=2.0	001780
	GO TO 70	
60	DFCB=1.0	
	DFCBCS=1.0	001810
70	READ 9056,WORD18,SBLDR	
	CWA=1.0	001860
	READ 9014,DFICW,DFCSCW,DFCW	001870
	READ 9015,TC,TSTORC,CMFD	001880
	PRINT 9045	001890
	PRINT 9016	001900
	PRINT 9017,WORD18,SBLDR,CWA,CMFD,TC,TSTORC,DFICW,DFCSCW,DFCW	001910
	READ 9013,WORD18,EDFLR,WORD8,EDA	001920
	READ 9014,DFIED,DFCSEU,DFED	001930
	READ 9015,TE,TS,EDFD	001940
	PRINT 9017,WORD18,EDFLR,EDA,EDFD,TE,TS,DFIED,DFCSEN,DFED	001950
	READ 9013,WORD18,DWFLR,WORD8,DWA	001960
	READ 9014,DFIDW,DFCSDW,DFDW	001970
	READ 9015,TD,TSTORD,DFDW	001980
	PRINT 9017,WORD18,DWFLR,DWA,DFDW,TD,TSTORD,DFIDW,DFCSDW,DFDW	001990
	READ 9013,WORD18,DWFLR,WORD8,PW2	002000
	READ 9014,DFID2,DFCS2,DFD2	002010
	READ 9015,T2,TSTOR2,DFD2	002020
	PRINT 9017,WORD18,DWFL2,DW2,DFD2,T2,TSTOR2,DFID2,DFCS2,DFD2	002030
	READ 9037,BUTFR	002040
	READ 9014,DFICM,DFCSCM,DFCM	002050
	READ 9015,TCM,TSTORB,CMFD	002060

	HEAD 9037,KGWFR	002070
	READ 9014,DFIRG,DFCSR6,DFMG	002080
	READ 9015,TRG,TSTORR,RGFD	002090
	IF (BLWDWN.EQ.0.0) GO TO 75	
	BDFR=BLWDWN*1E3*BDFR/0.3476	002110
	PRINT 9034,BDFR,CMFD,TCM,TSTORB,DFICM,DFCSCM,WFCM	002120
	BDFR=BLWDWN*1.0E3*ABS(1.-BDFR)/0.3476	002130
	PRINT 9035,BDFR	002140
	IF (FFCDM.EQ.0.0) GO TO 90	
75	IF (REGENT.EQ.0.0) GO TO 80	
	PRINT 9038,RGWFR,RGFD,TRG,TSTORR,DFIRG,DFCSR6,DFRG	002180
	GO TO 90	
80	KGWFR=0.0	
	PRINT 9038,RGWFR,RGFD,TRG,TSTORR,DFIRG,DFCSR6,DFRG	002210
90	IF (KFNRT.EQ.2) GO TO 100	
	FNRTSO=1.0-1.0/(DFCM*WFCB)	002240
	FNRTSI=1.0-1.0/(DFICM*DFCB)	002250
	FNRTSC=1.0-1.0/(DFCSCM*DFCBCS)	002260
	GO TO 110	
100	FNRTSO=1.0	002290
	FNRTSI=1.0	002300
	FNRTSC=1.0	002320
C		
C	READ DATA FOR GAS INFORMATION	
C		002340
110	PRINT 9046	
	READ 9021,KGTRWT	002360
	IF (KGTRWT.EQ.0) PRINT 9053	002370
	IF (KGTRWT.EQ.1) PRINT 9052	002380
	IF (KGTRWT.EQ.2) PRINT 9075	002390
	READ 9012,WORD56,TAU1	002400
	PRINT 9012,WORD56,TAU1	002410
	READ 9012,WORD56,TAU2	002420
	PRINT 9012,WORD56,TAU2	002430
	READ 9012,WORD56,TAU3	002440
	PRINT 9012,WORD56,TAU3	002450
	GWPRF=1.0	
	AXIRF=1.0	
	AXPRF=1.0	
	CHIRF=1.0	
	CHPRF=1.0	
	CLIRF=1.0	
	CLPRF=1.0	
	FHIRF=1.0	
	FHPRF=1.0	
	CAIRF=1.0	
	CAPRF=1.0	
	HEAD 9065,WORD15,GWHRE	
	IF (GWHRE.GT.0.0) GWPRF=1.0-GWHRE/100.	
	PRINT 9066,WORD15,GWPRF	
	READ 9067,WORD18,FHCHRE,FHRE	
	IF (FHCHRE.GT.0.0) FHIRF=1.0-FHCHRE/100.	
	IF (FHRE.GT.0.0) FHPRF=1.0-FHRE/100.	
	READ 9067,WORD18,AXCHRE,AXHRE	
	IF (AXCHRE.GT.0.0) AXIRF=1.0-AXCHRE/100.	
	IF (AXHRE.GT.0.0) AXPRF=1.0-AXHRE/100.	
	PRINT 9068,WORD18,AXIRF,AXPRF	
	READ 9022,WORD56,CONVOL	002600
	PRINT 9022,WORD56,CONVOL	002610
	READ 9069,WORD18,CACHRE,CAHRE,CFM	
	IF (CACHRE.GT.0.0) CAIRF=1.0-CACHRE/100.	
	IF (CAHRE.GT.0.0) CAPRF=1.0-CAHRE/100.	

```

READ 9071,WORD18,CHCHRE,CHHRE
IF (CHCHRE.GT.0.0) CHIRF=1.0-CHCHRE/100.
IF (CHHRE.GT.0.0) CHPRF=1.0-CHHRE/100.
EN=2.0
PRINT 9072,EN
PRINT 9068,WORD18,CHIRF,CHPRF
READ 9069,WORD18,CLCHRE,CLHRE,PNOV1
IF (CLCHRE.GT.0.0) CLIRF=1.0-CLCHRE/100.
IF (CLHRE.GT.0.0) CLPRF=1.0-CLHRE/100.
IF (PNOV1.LT.1.0) GO TO 120
PRINT 9070,WORD18,PNOV1,WORD18,CLIRF,CLPRF
GO TO 130
120 PRINT 9073
130 PRINT 9064,TBLK
READ 9020,WORD56,FVN
PRINT 9020,WORD56,FVN
HEAD 9020,WORD56,FEJ
FEJ=1.0-FEJ/100.
PRINT 9020,WORD56,FEJ
READ 9020,WORD56,PFLAUN
IF (PFLAUN.LE.0.0) PRINT 9048
PRINT 9026

C
C CONVERSION OF UNITS
C
EDFLR=EDFLR*48.8
DWFLR=DWFLR*48.8
DWFL2=DWFL2*48.8

C
C CALCULATE PRIMARY COOLANT CONCENTRATIONS
C
AFPTES=0.0
DO 140 I=1,ITOT
140 PCONC(I)=PWCONC(I)
POWA=POW1
PCVOA=PCVOL*1E3
LETDWA=LETDOWN*500.53
SBLDA=SBLDR*.3476
CBFLA=CBFLR*500.53

C
C CHECK TO SEE IF PRIMARY PLANT PARAMETERS ARE WITHIN SPECIFIED
C RANGES
C
IF (POWA.LT.3000..OR.POWA.GT.3800.) GO TO 150
IF (PCVOA.LT.5.0E5..OR.PCVOA.GT.6.0E5) GO TO 150
IF (LETDWA.LT.3.2E4..OR.LETDWA.GT.4.2E4) GO TO 150
IF (SBLDA.LT.250..OR.SBLDA.GT.1000.) GO TO 150
IF (CBFLA.GT.7500.) GO TO 150
GO TO 190

C
C CALCULATE PRIMARY COOLANT ADJUSTMENT FACTORS
C
150 AFPTES=1.0
RHAL2=(LETDWA*0.99+0.01*SBLDA)/PCVOA
KCSRB2=(LETDWA*0.5+0.5*(SBLDA+CBFLA*0.9))/PCVOA
KCFP2=(LETDWA*0.98+0.02*(SBLDA+CBFLA*0.9))/PCVOA
KK2=161.76*POWA/PCVOA
DO 180 J=1,ITUT
IF (PCONC(J).EQ.0.0) GO TO 180
NZ=NIJCL(J)/10000
DL=DIS(J)*3000.
IF (NZ.EQ.53..OR.NZ.EQ.35) GO TO 160
IF (NZ.EQ.37..OR.NZ.EQ.25) GO TO 170

```

```

PCONC(J)=PCONC(J)*RK2*(0.066+DL)/(RCFP2+DL)
GO TO 180
160 PCONC(J)=PCONC(J)*RK2*(0.067+DL)/(RHAL2+DL)
GO TO 180
170 PCONC(J)=PCONC(J)*RK2*(0.037+DL)/(RCSRB2+DL)
180 CONTINUE
190 SBLDR=SBLDR*48.8
PCVOL=PCVOL*1000.*0.7/62.4
004470

C
C CALCULATE SECONDARY COOLANT CONCENTRATIONS
C
SCVOA=SCVOL*1E3
BLWDWA=BLWDWN*1E3
STMFA=STMFR*1E6
FFCDA=FFCDM
004490
004500
004510
004520

C
C CHECK TO SEE IF SECONDARY PLANT PARAMETERS ARE WITHIN SPECIFIED
C RANGES
C
IF(BLWDWN.EQ.0.0) GO TO 230
004530
004540

C
C PWTYP=1.0 IS FOR PWRs WITH U-TUBE STEAM GENERATORS
C
PWTYP=1.0
DO 200 I=1,ITOT
200 SCUN(I)=SCUTV(I)
IF(AFPTES.EQ.1.0) GO TO 250
IF(SCVOA.LT.4.0E5.OR.SCVOA.GT.5.0E5) GO TO 250
IF(STMFA.LT.1.3E7.OR.STMFA.GT.1.7E7) GO TO 250
IF(BLWDWA.LT.5.0E4.OR.BLWDWA.GT.1.0E5) GO TO 250
IF(FFCDA.GT.0.01) GO TO 250
IF(FNRTSC.LT.0.8999) GO TO 370
GO TO 390

C
C PWTYP=2.0 IS FOR PWRs WITH ONCE-THROUGH STEAM GENERATORS
C
230 PWTYP=2.0
DO 240 I=1,ITOT
240 SCUN(I)=SCOT(I)
IF(AFPTES.EQ.1.0) GO TO 250
IF(STMFA.LT.1.3E7.OR.STMFA.GT.1.7E7) GO TO 250
IF(FFCDA.LT.0.55.OR.FFCDA.GT.0.75) GO TO 250
GO TO 390

C
C CALCULATE SECONDARY COOLANT ADJUSTMENT FACTORS
C
250 IF(FFCDA.GT.0.01.AND.FFCDA.LT.1.0) FFCDA=0.2
RHAL3=(BLWDWA*FNRTSI+0.9*HEF*STMFA*FFCDA)/SCVOA
IF(FFCDA.GT.0.01.AND.FFCDA.LT.1.0) FFCDA=0.1
RCSRB3=(BLWDWA*FNRTSC*0.5*FPEF*STMFA*FFCDA)/SCVOA
RCFP3=(BLWDWA*FNRTSO+0.9*FPEF*STMFA*FFCDA)/SCVOA
IF(PWTYP.EQ.2.0) GO TO 330
RK3=4.5E5/SCVOA
DO 320 I=1,ITOT
IF(SCUN(I).EQ.0.0) GO TO 320
NZ=NUCL(I)/10000
DL=UIS(I)*3600.
IF(NZ.EQ.53.OR.NZ.EQ.55) GO TO 300
IF(NZ.EQ.37.OR.NZ.EQ.55) GO TO 310
SCUN(I)=SCUN(I)*RK3*(0.17+DL)/(RCFP3+DL)*(PCONC(I)/PWCONC(I))
GO TO 320
300 SCUN(I)=SCUN(I)*RK3*(0.17+DL)/(RHAL3+DL)*(PCONC(I)/PWCONC(I))
004910
004920
004940
005120
005130

```



```

GO TO 320
310 SCON(I)=SCON(I)*RK3*(V.15+DL)/(KCSRB3+DL)*(PCQNC(I)/PWCONC(I))
320 CONTINUE
GO TO 390
330 RK3=1.0E5/SCVOA
DO 360 I=1,ITOT
IF (SCON(I).EQ.0.0) GO TO 360
NZ=NUCL(I)/10000
DL=DIS(I)*3600.
IF (NZ.EQ.53.OR.NZ.EQ.35) GO TO 340
IF (NZ.EQ.55.OR.NZ.EQ.37) GO TO 350
SCON(I)=SCON(I)*RK3*(14.0+DL)/(RCFP3+DL)*(PCQNC(I)/PWCONC(I))
GO TO 360
340 SCON(I)=SCON(I)*RK3*(27.0+DL)/(RHAL3+DL)*(PCQNC(I)/PWCONC(I))
GO TO 360
350 SCON(I)=SCON(I)*RK3*(7.5+DL)/(RCSRB3+DL)*(PCQNC(I)/PWCONC(I))
360 CONTINUE
GO TO 390
370 RCSR3=(BLWDWA*FNRTSC*0.5*FPEF*STMFA*FFCDA)/SCVOA
RK3=4.5E5/SCVOA
DO 380 I=1,ITOT
IF (SCON(I).EQ.0.0) GO TO 380
NZ=NUCL(I)/10000
IF (NZ.NE.37.AND.NZ.NE.55) GO TO 380
DL=DIS(I)*3600.
RSC=0.15
SCON(I)=SCON(I)*RK3*(RSC+DL)/(RCSR3+DL)*(PCQNC(I)/PWCONC(I))
380 CONTINUE
390 BLWDWN=BLWDWN*1E3/500*53
SCVOL=SCVOL*1000./62.4
STMFR=STMFR*2000.
DO 400 I=1,ITOT
IF (PCQNC(I).EQ.0.0) GO TO 400
PCQNC(I)=PCQNC(I)/(DIS(I)*1.6283E13)
SCON(I)=SCON(I)/(DIS(I)*1.6283E13)
400 CONTINUE
C
C COMPUTE REMOVAL CONSTANT FOR CONDENSATE DEMINERALIZER
C
IF (FFCDM.GT.0.01.AND.FFCDM.LT.1.0) FFCDM=0.1
CIXRC=(0.9*BLWDWN*RFNRT/DFICM+0.9*STMFR*FPEF*FFCDM)/(SCVOL*7.48*60.
1)
CIXRCS=(0.5*BLWDWN*RFNRT/DFICM+0.5*STMFR*FPEF*FFCDM)/(SCVOL*7.48*
1 60.)
IF (FFCDM.GT.0.01.AND.FFCDM.LT.1.0) FFCDM=0.2
CIXRIB=(0.9*BLWDWN*RFNRT/DFICM+0.9*STMFR*FPEF*FFCDM)/(SCVOL*7.48*60
1.)
DO 410 I=1,ITOT
NZ=NUCL(I)/10000
PR=CIXRC
IF (NZ.EQ.37.OR.NZ.EQ.55) PR=CIXRCS
IF (NZ.EQ.53.OR.NZ.EQ.35) PR=CIXRIB
XZHU=SCON(I)*PR*SCVOL*0.02832
B(I)=XZHU
410 CONTINUE
C
C CALCULATE RADIOISOTOPE INVENTORIES ON CONDENSATE RESINS
C
CALL SOLVE
DO 420 I=1,ITOT
RINV(I)=XTEMP(I)
CALL EFFTAB
STOP

```

C	FORMATS	FORMATS	FORMATS	
				006490
C				006500
C				006510
	9010	FORMAT(32X,7A4,16X,A4)		006620
	9011	FORMAT(16X,13A4,A3,F9,4)		006630
	9012	FORMAT(16X,14A4,F8.4)		006640
	9013	FORMAT(15X,4A4,A2,8X,F8.0,1X,A4,A2,F6.4)		
	9014	FORMAT(20X,F8.0,2(5X,F8.0))		006660
	9015	FORMAT(27X,F6.2,14X,F9.2,18X,F6.2)		006670
	9016	FORMAT("0",30X,"FRACTION FRACTION COLLECTION DECAY"/8X,"STREAM 1 FLOW RATE OF P&A DISCHARGED TIME TIME",10X,"DECONTA 2 MINATION FACTORS"/20X,"(G&L/DAY)"23X,"(DAYS) (DAYS)",7X, 3 "I",8X,"CS",6X,"OTHERS")		006680 006690 006700 006710
	9017	FORMAT(2X,4A4,A2,1PE9.2,1X,4(0PF8.4,2X),3(1PE9.2,1X))		
	9020	FORMAT(16X,14A4,F8.4)		006730
	9021	FORMAT(79X,I1)		006740
	9022	FORMAT(16X,14A4,F8.4)		006750
	9026	FORMAT(1H1)		006870
	9027	FORMAT(16X,"PLANT CAPACITY FACTOR",T75,"0.8000")		
	9029	FORMAT(16X,"MASS OF WATER IN STEAM GENERATORS (THOUSAND LBS)",T73, 1 F8.4)		006900 006910
	9030	FORMAT(16X,"FISSION PRODUCT CARRY-OVER FRACTION",T75,F6.4/16X, 1 "HALOGEN CARRY-OVER FRACTION",T75,F6.4)		006920 006930
	9034	FORMAT(2X,"BLOWDOWN",10X,1PE9.2,14X,0PF5.3,2X,2(F8.3,2X), 13(1PE9.2,1X))		006960
	9035	FORMAT(2X,"UNTREATED BLOWDOWN",1PE9.2,11X," 1.000 0.000 10.000 1.00E+00 1.00E+00 1.00E+00")		
	9037	FORMAT(72X,F8.2)		007000
	9038	FORMAT(2X,"REGENERANT OLS ",1PE9.2,14X,0PF5.3,2X,2(F8.3,2X), 13(1PE9.2,1X))		007010 007020
	9039	FORMAT(3I6,E21.14)		
	9040	FORMAT(I6,E21.14)		
	9041	FORMAT(16X,"PRIMARY TO SECONDARY LEAK RATE (LBS/DAY)",T73, 1 " 75.0000")		
	9045	FORMAT (/,"0 LIQUID WASTE INPUTS")		007060
	9046	FORMAT (/,"0 GASEOUS WASTE INPUTS")		007070
	9048	FORMAT("0",15X,"THERE IS NOT AN ON-SITE LAUNDRY")		007080
	9051	FORMAT(16X,"BLOWDOWN RATE (THOUSAND LBS/HR)",25X,F8.4)		007090
	9052	FORMAT(16X,"THERE IS CONTINUOUS STRIPPING OF FULL LETDOWN FLOW")		007100
	9053	FORMAT(16X,"THERE IS NOT CONTINUOUS STRIPPING OF FULL LETDOWN FLOW" 1)		007110 007120
	9055	FORMAT(36X,F8.4,35X,I1)		007140
	9056	FORMAT(15X,4A4,A2,8X,F8.0)		007150
	9064	FORMAT(16X,"STEAM LEAK TO TURBINE BLDG (LBS/HR)",19X,F10.4)		
	9065	FORMAT(16X,4A4,6X,F3.0)		
	9066	FORMAT(16X,4A4,4X,"PARTICULATE RELEASE FRACTION",6X,F10.4)		
	9067	FORMAT(16X,5A4,10X,F3.0,6X,F3.0)		
	9068	FORMAT(16X,5A4,"IODINE RELEASE FRACTION",11X,F10.4/36X,"PARTICULAT 1 E RELEASE FRACTION",6X,F10.4)		
	9069	FORMAT(16X,5A4,10X,F3.0,6X,F3.0,14X,F8.2)		
	9070	FORMAT(16X,5A4,"RATE (CFM)",25X,F10.4/16X,5A4,"IODINE RELEASE FRACT 1 ION",11X,F10.4/36X,"PARTICULATE RELEASE FRACTION",6X,F10.4)		
	9071	FORMAT(16X,5A4,10X,F3.0,6X,F3.0,19X,F3.0)		
	9072	FORMAT(16X,"FREQUENCY OF CNTMT BLDG HIGH VOL PURGE (TIMES/YR)", 1 T74,F7.4)		007330
	9073	FORMAT(16X,"THERE IS NOT A CNTMT BLDG LOW VOL PURGE")		007350
	9075	FORMAT(16X,"THERE IS CONTINUOUS LOW VOL PURGE OF VOL. CONTROL TK")		007360
		END		007370
*DECK	EFFTAB			007380
	SUBROUTINE EFFTAB			007390
	DIMENSION ISOTP(3,100)			
	DIMENSION REACTR(7),NAME(3),CWCNC(800),DWCNC(800),CMCNC(800)			

```

DIMENSION TURBDR(800),DWCUN2(800),EDCONC(800),IOTHER(100)
COMMON/FLUXN/REGENT,DIS(800),ILITE,IACT,ITOT
COMMON/OUT/NUCL(800)
COMMON/COOL/REACTR,POW1,SBLDR,BLWDWN,FPEF,HEF,EDFLR,DFIED,DFCSED,
1 DFED,DFIDW,DFCSDW,DFIDW,EDA,DWA,CWA,DFCM,DFICM,DFCSCM,
2 DFCW,DFICW,DFCSCW,BDIFR,EDFD,DWFD,CWFD,CMFD,IS,TE,TU,TC,TCM,
3 TSTORC,TSTORD,TSTORB,DWFL2,DW2,DWF2,T2,TSTOR2,DFID2,DFCS2,DFD2,
4 PFLAUN,DWFLR
COMMON/APCOOL/RGWFR,DELIRG,DFCSR,DFRG,TRG,TSTURR,RGFD 007630
COMMON/BDTES/RFNRT 007640
COMMON/CONC/PCONC(800),SCON(800),RINV(800)
COMMON/DET/LAUNDRY(25),WLAUND(25)

C
C H3COP* IS THE PWR TRITIUM PRIMARY COOLANT CONCENTRATION IN 007790
C UCI/GM 007800
C
H3PRPW=.4*POW1
H3COPW=1.0 007810
DO 30 J=1,ITOT
CWCONC(J)=0.0 007920
EDCONC(J)=0.0 007930
DWCUN2(J)=0.0 007940
DWCUN2(J)=0.0 007950
CMCONC(J)=0.0 007960
NZ=NUCL(J)/10000 007970
IF(NZ.EQ.36.OR.NZ.EQ.44) GO TO 30 007980
CWCONC(J)=PCONC(J)*CWA 007990
EDCONC(J)=PCONC(J)*EDA 008000
DWCUN2(J)=PCONC(J)*DWA 008010
DWCUN2(J)=PCONC(J)*DW2 008020
CMCONC(J)=SCON(J) 008050
DFCVCS=50.
IF(NZ.EQ.1)DFCVCS=1.0 008070
IF(NZ.EQ.35.OR.NZ.EQ.53) DFCVCS=100.
IF(NZ.EQ.37.OR.NZ.EQ.55) DFCVCS=2. 008080
CWCONC(J)=CWCONC(J)/DFCVCS 008090
30 CONTINUE 008100
C
C CALCULATE RADIOACTIVITY AFTER COLLECTION AT A CONSTANT RATE 008120
C 008130
CALL COLLECT(TC*86400,,CWCONC,ITOT)
CALL COLLECT(TE*86400,,EDCONC,ITOT)
CALL COLLECT(TD*86400,,DWCUN2,ITOT)
CALL COLLECT(T2*86400,,DWCUN2,ITOT)
CALL COLLECT(TCM*86400,,CMCONC,ITOT)
IF(REGENT.LE.0.0) GO TO 50
CALL STORAG(TRG*86400,,RINV,ITOT)
50 DO 100 I=1,ITOT 008210
NZ=NUCL(I)/10000 008220
TURBDR(I)=1991.*5.*SCON(I) 008230
IF(NZ.EQ.1) GO TO 100 008240
IF(NZ.EQ.35.OR.NZ.EQ.53) GO TO 60 008250
IF(NZ.EQ.37.OR.NZ.EQ.55) GO TO 70 008260
C 008270
C CHEMICAL TREATMENT FOR OTHER CATIONS 008280
C 008290
CWCONC(I)=CWCONC(I)/DFCW 008300
EDCONC(I)=EDCONC(I)/DFED 008310
DWCUN2(I)=DWCUN2(I)/DFD2 008320
DWCUN2(I)=DWCUN2(I)/DFD2 008330
CMCONC(I)=CMCONC(I)*(1.0-PTFR*(1.0-CMFD/DFCM)) 008340
C
C TO TREAT PWR TURBINE BUILDING FLOOR DRAINS THROUGH DIRTY WASTE 008350

```

```

C      SYSTEM, DELETE C FOR COMMENT ON CARDS BELOW, UNTIL NEXT MESSAGE      008360
C
C      RINV (I)=RINV (I)/DFIRG                                          008370
C      TURBDR(I)=1991.*5.*SCUN(I)*FPEF                                  008380
C      TURBDR(I)=1991.*5.*SCUN(I)*FPEF/DFDW                            008390
C      GO TO 100                                                         008400
C
C      CHEMICAL TREATMENT FOR ANIONS                                     008410
C
C      CWCONC(I)=CWCONC(I)/DFICW                                         008420
C      EDCONC(I)=EDCONC(I)/DFIED                                         008430
C      DWCONC(I)=DWCONC(I)/DFIDW                                         008440
C      DWCON2(I)=DWCON2(I)/DFID2                                         008450
C      CMCONC(I)=CMCONC(I)*(1.0-BDTR*(1.0-CMFD/PFICM))                 008460
C      RINV (I)=RINV (I)/DFIRG                                          008470
C      TURBDR(I)=1991.*5.*SCUN(I)*HEF                                   008480
C      TURBDR(I)=1991.*5.*SCUN(I)*HEF/DFIDW                             008490
C      GO TO 100                                                         008500
C
C      CHEMICAL TREATMENT FOR RB AND CS                                 008510
C
C      CWCONC(I)=CWCONC(I)/DFCSCW                                         008520
C      EDCONC(I)=EDCONC(I)/DFCSED                                         008530
C      DWCONC(I)=DWCONC(I)/DFCSDW                                         008540
C      DWCON2(I)=DWCON2(I)/DFCSD2                                         008550
C      CMCONC(I)=CMCONC(I)*(1.0-BDTR*(1.0-CMFD/PFCSCM))                 008560
C      RINV (I)=RINV (I)/DFCSRQ                                         008570
C      TURBDR(I)=1991.*5.*SCUN(I)*FPEF                                  008580
C      TURBDR(I)=1991.*5.*SCUN(I)*FPEF/DFCSDW                           008590
C      CONTINUE                                                         008600
C
C      COMPUTE RADIOACTIVE DECAY DURING PROCESSING AND SAMPLING        008610
C
C      CALL STORAG(TSTORC*86400.,CWCUNC,ITOT)                             008620
C      CALL STORAG(TS*86400.,EDCUNC,ITOT)                                 008630
C      CALL STORAG(TSTORD*86400.,DWCUNC,ITOT)                             008640
C      CALL STORAG(TSTOR2*86400.,DWCUN2,ITOT)                             008650
C      CALL STORAG(TSTORB*86400.,CMCUNC,ITOT)                             008660
C      CALL STORAG(TSTORR*86400.,RINV,ITOT)                               008670
C      CALL STORAG(21600.,TURBDR,ITOT)                                    008680
C      DO 130 I=1,ITOT                                                    008750
C      ABLOW=0.0                                                           008770
C      IF (REGENT.LT.0.001) GO TO 110                                     008780
C      ABLOW=RINV(I)*292.4*RGFD/REGENT
C      CMCONC(I)=ABLOW
C      GWFR=SBLDR*CWFD*0.02832                                           008860
C      EDFLR=EDFLR*EDFD*0.02832                                         008870
C      DWFR=DWFLR*DWF2*0.02832                                          008880
C      DWFR2=DWFL2*DWF2*0.02832                                         008890
C      TPLRPW=CWFR*CWA+EDFLR*EDA+DWFR*DWA+DWFR2*DW2                    008900
C      H3RLPW=TPLRPW*H3COPW
C      IF (H3RLPW.GT.0.9*H3PRPW) H3RLPW=0.9*H3PRPW                      008910
C      RH3RLP=H3RLPW/10.                                                 008930
C      INTRIM=RH3RLP                                                       008940
C      IH3RLP=INTRIM*10                                                  008950
C      TOTAL=0.0
C      I1=ILITE+IACT+1
C      DO 140 I=1,ITOT                                                    009050
C      NZ=NUCL(I)/10000
C      IF (NZ.EQ.36.OR.NZ.EQ.74) GO TO 140
C      DISI=DIS(I)*1.6283E13

```

```

CWCONC(I)=DISI*(CWCONC(I)*CWFR+EDCONC(I)*EDFLK)      009090
DWCONC(I)=(DWCONC(I)*DWFR+DWCUNZ(I)*DWFR2)*DISI      009100
CMCONC(I)=CMCONC(I)*DISI                              009110
TURBDR(I)=TURBDR(I)*DISI                              009120
IF(NUCL(I).EQ.10030) GO TO 140
TOTAL =TOTAL +CWCONC(I)+DWCONC(I)+CMCONC(I)+TURBDR(I)  009140
140 CONTINUE                                           009150
AOI=0.16                                               009170
AOR=(AOI+TOTAL)/TOTAL
SCNORM=0.0                                             009190
SAPRIM=0.0                                             009200
SSEC=0.0                                               009210
SCWAST=0.0                                             009220
SDWAST=0.0                                             009230
SABLOW=0.0                                             009240
STB=0.0                                                009250
STOTAL =0.0                                           009280
PAPRIM=0.0                                            009290
PSEC=0.0                                               009300
PCWAST=0.0                                             009310
PDWAST=0.0                                             009320
PABLOW=0.0                                             009330
PTB=0.0                                                009340
PTOTAL =0.0                                           009370
PNORM=0.0                                              009380
TLAUND=0.0                                             009390
CTOTAL=0.0                                            009400
PRINT 9001,      REACTR
PRINT 9002
PRINT 9010                                             009430
KOUNTR=1                                              009440
DO 180 I=1,ITOT
IF(I.EQ.11) PRINT 9011
NZ=NUCL(I)/10000
IF(NZ.EQ.36.OR.NZ.EQ.34) GO TO 180
IF(NZ.EQ.1) GO TO 180
DISI=DIS(I)*1.6283E+13
APRIM=PCONC(I)*DISI
ASEC=SCON(I)*DISI
CWASTE=CWCONC(I)
DWASTE=DWCONC(I)
ABLOW=CMCONC(I)
TB=TURBDR(I)
TOTAL=CWASTE+DWASTE+ABLOW+TB                          009600
TOTALN=TOTAL*AOR                                      009610
NUCLI=NUCL(I)
XLAUND=0.0                                             009630
IF (I.GT.155.AND.I.LT.190) GO TO 152
IF (I.EQ.225) GO TO 152
DO 150 L=1,25
IF(LAUNDRY(L).EQ.NUCLI) XLAUND=WLAUND(L)*PFLAUN
150 CONTINUE
152 CONTINUE
TOTALG=TOTALN+XLAUND
155 IF(TOTALG.LT.0.00001) GO TO 160
ISUB=2                                                009710
IF (TOTALG.GT.1.) ISUB=1                              009720
DIV=10.***(INT(ALOG10(TOTALG))-ISUB)                  009730
TOTALG=AIN(TOTALG/DIV+0.5)*DIV                       009740
160 IF(NUCL(I).EQ.10030) TOTALN=TOTAL
IF(NZ.EQ.1) GO TO 162
SAPRIM=SAPRIM+APRIM
SSEC=SSEC+ASEC                                       009810

```

```

SABLOW=SABLOW+ABLOW
SCWAST=SCWAST+CWASTE
SDWAST=SDWAST+DWASTE
STB=STB+TB
STOTAL=STOTAL+TOTAL
SCNORM=SCNORM+TOTALN
TLAUND=TLAUND+XLAUND
CTOTAL=CTOTAL+TOTALG
162 IF (TOTALG.LT.0.00001) GO TO 180
168 IF (MOD(KOUNTR,50).NE.0) GO TO 170
PRINT 9000, REACTR
PRINT 9002
170 CALL NOAH(NUCL(I),NAME)
THALF=8.0225E-6/DISYI
PRINT 9003,NAME,THALF,APRIM,ASEC,CWASTE,DWASTE,ABLOW,
1TB,TOTAL,TOTALN,XLAUND,TOTALG
KOUNTR=KOUNTR+1
IF (NZ.EQ.1) GO TO 180
PAPRIM=PAPRIM+APRIM
PSEC=PSEC+ASEC
PCWAST=PCWAST+CWASTE
PDWAST=PDWAST+DWASTE
PABLOW=PABLOW+ABLOW
PTB=PTB+TB
PTOTAL=PTOTAL+TOTAL
PNORM=PNORM+TOTALN
180 CONTINUE
PAPRIM=SAPRIM-PAPRIM
PSEC=SSEC-PSEC
PCWAST=SCWAST-PCWAST
PDWAST=SDWAST-PDWAST
PABLOW=SABLOW-PABLOW
PTB=STB-PTB
PTOTAL=STOTAL-PTOTAL
PNORM=SCNORM-PNORM
ISUBC=?
IF (CTOTAL.GT.1.) ISUBC=1
DIV=10.** (INT(ALOG10(CTOTAL))-ISUBC)
CTOTAL=AINT(CTOTAL/DIV+.5)*DIV
IF (PNORM.LT.0.00001) GO TO 190
DIV=10.** (INT(ALOG10(PNORM))-2)
PNORMT=AINT(PNORM/DIV+.5)*DIV
GO TO 200
190 PNORMT=PNORM
200 PRINT 9004, PAPRIM,PSEC,PCWAST,PDWAST,PABLOW,PTB,PTOTAL,PNORM,
1 PNORMT
PRINT 9005, SAPRIM,SSEC,SCWAST,SDWAST,SABLOW,STB,STOTAL,SCNORM,
1 TLAUND,CTOTAL
PRINT 9012, IH3RLP
PRINT 9013
RETURN
9000 FORMAT (1H1,20X,7A4," LIQUID EFFLUENTS (CONTINUED)")
9001 FORMAT (1H1,20X,7A4," LIQUID EFFLUENTS")
9002 FORMAT (1H0,55X,"ANNUAL RELEASES TO DISCHARGE CANAL"/20X,"COOLANT CONCENTRATIONS",57(" -")," ADJUSTED DETERGENT TOTAL "/" NUCLIDE
2E HALF-LIFE PRIMARY SECONDARY BORN MS MISC. WASTES SECONDARY TURB BLDG TOTAL LWS TOTAL WASTES "/10X,
4"(DAYS) "2(" MICRO CI/ML)",1X,4(" (CURIES) ", "(CURIES) ",
5" (CI/YR) (CI/YR) (CI/YR)")
9003 FORMAT (1X,A2,I3,A1,2X,1PE9.2,2(2X,E9.2,2X),0P,7(1X,F9.5,1X),F10.5)
9004 FORMAT (1X,"ALL OTHERS",9X,1PE9.2,4X,E9.2,0P,2X,6(1X,F9.5,1X),3X,
1 "0.00000",1X,F10.5)

```

```

9005 FORMAT(" TOTAL"/," (EXCEPT TRITIUM)  ",1PE9.5,4X,E9.2,0P,2X,
1 7(1X,F9.5,1X),F10.5)
9010 FORMAT(" CORROSION AND ACTIVATION PRODUCTS") 010740
9011 FORMAT(" OFFISSION PRODUCTS") 010750
9012 FORMAT (1H0,1X,"TRITIUM RELEASE",12X,I3," CURIES PER YEAR") 010760
9013 FORMAT(1H0,1X,"NOTE: ,00000 INDICATES THAT THE VALUE IS LESS THAN
11.0E-5.")
9014 FORMAT(3X,10(2X,A2,I3,A1)/3X,10(2X,A2,I3,A1))
END 010770
*DECK BLKDAT 010780
BLOCK DATA BLKDAT 010790

C
C PWCONC CONTAINS PRIMARY COOLANT CONCENTRATIONS FOR PWRS. SCUTV
C AND SCOT CONTAIN SECONDARY COOLANT CONCENTRATIONS FOR PLANTS
C WITH U-TUBE STEAM GENERATORS AND FOR PLANTS WITH ONCE-THROUGH
C STEAM GENERATORS, RESPECTIVELY.
C
COMMON/CONP/PWCONC(800),SCUTV(800),SCOT(800)
COMMON/DET/LAUNDRY(25),WLAUND(25)
DATA PWCONC/36*0.4,7E-2,67*0.3,1E-3,4*0.1,6E-3,5*0.1,2E-3,3*0.3,0E
1-4,0.0,4.6E-3,2*0.5,3E-4,17*0.5,1E-4,102*0.2,2E-3,64*0.2,2E-3,68*0
2,1.6E-2,18*0.1,9E-1,4*0.1,4E-4,3*0.1,2E-5,5*0.9,6E-4,4.6E-4,5.2E-6
3,9*0.4,2E-3,11*0.3,9E-4,0.0,2.8E-4,15*0.6,4E-3,4.7E-3,16*0.7,5E-3,
415*0.9,0E-2,0.0,20*0.1,3E-3,104*0.1,9E-4,2.4E-2,12*0.1,5E-3,7.7E-3
5,4.5E-2,5*0.1,7E-3,2.1E-1,4*0.1,4E-1,5*0.3,4E-1,2*0.7,1E-8,2*0.2,6
6E-1,8*0.8,7E-4,3*0.9,4E-3,13*0.1,3E-2,2.5E-2,5*0.1,5E-4,12*0.2,8E-
73,3*0.3,9E-3,92*0/
DATA SCUTV/36*0.1,5E-2,67*0.1,3E-7,4*0.6,5E-8,5*0.4,9E-8,3*0.1,2E-
18,0.0,1.9E-7,2*0.2,2E-8,17*0.2,1E-8,102*0.8,7E-8,64*0.8,4E-8,68*0,
27.5E-8,18*0.5,3E-7,4*0.5,7E-9,3*0.4,9E-10,5*0.2,8E-8,3.2E-9,2.1E-1
30,9*0.1,2E-7,11*0.1,6E-8,0.0,1.1E-8,15*0.2,5E-7,1.1E-7,16*0.3,1E-7
4,15*0.3,7E-6,0.0,20*0.5,3E-8,104*0.7,8E-9,2.2E-7,12*0.5,4E-8,2.9E-
58,1.8E-6,5*0.6,6E-8,3,1E-6,4*0.4,8E-6,5*0.2,4E-6,2*0.3,3E-7,2*0.6,
66E-6,8*0.4,0E-8,3*0.4,4E-7,13*0.5,2E-7,9.3E-7,5*0.6,1E-9,12*0.1,0E
7-7,3*0.1,6E-7,92*0/
DATA SCOT/36*0.1,0E-7,67*0.6,9E-9,4*0.3,6E-9,5*0.2,7E-9,3*0.6,7E-1
10,0.0,1.0E-8,2*0.1,2E-9,17*0.1,1E-9,102*0.5,6E-9,64*0.4,9E-9,68*0,
21.8E-8,18*0.6,0E-7,4*0.3,1E-10,3*0.2,7E-11,5*0.2,1E-9,9.7E-10,1.2E
3-11,9*0.9,3E-9,11*0.8,7E-10,0.0,6.2E-10,15*0.1,4E-8,1.0E-8,16*0.1,
47E-8,15*0.2,0E-7,0.0,20*0.2,9E-9,104*0.4,2E-10,5.1E-8,12*0.3,3E-9,
51.5E-8,5.2E-8,5*0.3,8E-9,2.4E-7,4*0.1,6E-7,5*0.3,8E-7,2*0.3,0E-8,2
6*0.3,0E-7,8*0.3,6E-9,2*0.3,9E-8,13*0.2,9E-8,5.6E-8,5*0.3,3E-10,12*
70,6.2E-9,3*0.8,7E-9,92*0/

C
C LAUNDRY ARE THE RADIOISOTOPES IN THE DETERGENT WASTES.
C WLAUND ARE THE CORRESPONDING CONCENTRATIONS.
C
DATA LAUNDRY/150320,240510,250540,260550,260590,270580,270600,2806
130,380890,380900,390910,400950,410950,420990,441030,441060,471101,
2511240,531310,551340,551360,551370,561400,581410,581440/
DATA WLAUND/1.8E-4,4.7E-3,3.8E-3,7.2E-3,2.2E-3,7.9E-3,1.4E-2,1.7E-
13,8.8E-5,1.3E-5,8.4E-5,1.1E-3,1.9E-3,6.0E-5,2.9E-4,8.9E-3,1.2E-3,4
2.3E-4,1.6E-3,1.1E-2,3.7E-4,1.0E-2,9.1E-4,2.3E-4,3.9E-3/
END 011230
*DECK SOLVE 011240
SUBROUTINE SOLVE 011250
COMMON/EQ/XTEMP(800),XNEW(10,800),R(800),U(800)
COMMON/FLUXN/REGENT,DIS(800),ILITE,IACT,I!OT
DO 10 I=1,ITOT
D(I)=-DIS(I)
10 XTEMP(I)=0.0
DELT=REGENT*86400.
CALL DECAY(1,DELT,ITO!) 011350
011360
011370
011390

```

	CALL TERM(DELT,1,ITOT)	
	CALL EQUIL(1,ITOT)	011410
	DO 30 I=1,ITOT	011420
30	XTEMP(I)=XNEW(1,I)	011430
	RETURN	011440
	END	011450
*DECK	TERM	011460
	SUBROUTINE TERM(T,M,I OT)	
C		011480
G	TERM ADDS ONE TERM TO EACH ELEMENT OF THE SOLUTION VECTOR	011490
C	CSUM(J) IS THE CURRENT APPROXIMATION TO XNEW(M,J)	011500
C	CIM0(J) IS THE VECTOR CONTAINING THE LAST TERM ADDED TO EACH	011510
C	ELEMENT OF CSUM(J)	011520
C	CIMN(J) IS THE VECTOR CONTAINING 1/TON TIMES THE NEW TERM TO BE	011530
C	ADDED TO CSUM(J)	011540
C	CIMN(J) IS GENERATED FROM CIM0(J) BY A RECURSION RELATION:	011550
C	CIMN(J)=SUM OVER L OF (AP(J;L)*CIM0(L))	011560
C	AP(I,J) IS THE REDUCED TRANSITION MATRIX FOR THE LONG-LIVED	011570
C	NUCLIDES	011580
C		011590
C		011600
	LOGICAL LONG	
	DIMENSION AP(2500),CIMB(800),CIM0(800),CIMN(800),CSUM(800)	
	DIMENSION QUB(50),LOCP(2500),NONP(800)	
	COMMON/SERIES/ XP(800),XPAR(800),LONG(800)	011690
	COMMON/CONST/MMN,ERR,MZERO	
	COMMON/EQ/XTEMP(800),XNEW(10,800),B(800),P(800)	
	COMMON/MATRIX/A(2500),LOC(2500),NONO(800),KD(800)	011730
	LEVEL 2,A,LOC,NONO,KD	000540
	COMMON/TERM/ DD(100),DXP(100),QUEUE(50),NQU(50),NQUEUE(50),NQ(800)	011750
	NUL=0	011760
	NN=0	011770
C	FIRST CONSTRUCT REDUCED TRANSITION MATRIX FOR LONG-LIVED ISOTOPES	011780
	DO 220 L=1,ITOT	011790
	IF(.NOT.LONG(L)) GO TO 210	011800
	NUM=NONO(L)	011810
	IF(M.GT.MMN.OR.M.EQ.MZERO) NUM=KD(L)	011820
	CIMB(L)=B(L)	011830
	IF(NUM.LE.NUL) GO TO 210	011840
	NS=NN+1	011850
	N=NUL	011860
	NL=NUM-NUL	011870
	DO 200 NI=1,NL	011880
	N=N+1	011890
	J=LOC(N)	011900
	DJ=-D(J)	011910
		011920
C		011930
C	THIS IS A TEST TO SEE IF ONE OF THE ASYMPTOTIC SOLUTIONS APPLIES	011940
C		011950
	IF(.NOT.LONG(J)) GO TO 10	011960
	NN=NN+1	011970
	AP(NN)=A(N)	011980
	LOCP(NN)=J	011990
	GO TO 200	012000
C		012010
C	GOING BACK UP THE CHAIN TO FIND A PARENT WHICH IS NOT IN	012020
C	EQUILIBRIUM	012030
C		012040
10	NSAVE=N	012050
	QUE=A(N)/DJ	012060
	DRB=1.0	012070
	CIMB(L)=CIMB(L)+QUE*B(J)	012080
	NQ(L)=0	

	NQ(J)=L	012090
20	NUX=NONO(J)	012100
	IF(M.GT.MMN.OR.M.EQ.MZERO) NUX=KD(J)	012110
	NUF=0	012120
	IF(J.GT.1) NUF=NONO(J-1)	012130
	NX=NUX-NUF	012140
	IF(NX.LT.1) GO TO 190	012150
	K=NUF	012160
	DO 180 KK=1,NX	012170
	K=K+1	012180
	J1=LOC(K)	012190
	DJ=-D(J1)	012200
	KP=J	012210
30	IF(J1.EQ.NQ(KP)) GO TO 180	012220
	KP=NQ(KP)	012230
	IF(KP.NE.0) GO TO 30	012240
	AKDJQ=QUE*A(K)/DJ	012250
	IF(.NOT.LONG(J1)) GO TO 160	012260
	TRM=1.0-XP(J1)	012270
	IF(TRM.LT.1.0E-6) GO TO 120	012280
	NQ(J1)=J	012290
	I=1	012300
	KP=J1	012310
40	DD(I)=-D(KP)	012320
	DXP(I)=XP(KP)	012330
	KP=NQ(KP)	012340
	IF(KP.EQ.0) GO TO 50	012350
	I=I+1	012360
	IF(I.LE.100) GO TO 40	012370
C	IF QUEUE OF SHORT-LIVED NUCLIDES EXCEEDS 100 ISOTOPES, TERMINATE	012380
C	CHAIN AND WRITE MESSAGE	012390
	PRINT 9000, M,L,J1,J,AKDJQ	012400
9000	FORMAT('100 LONG A QUEUE HAS BEEN FORMED IN IERM',4I5,E12.5)	012410
	GO TO 190	012420
50	BATM=0.E0	012430
	IM=I-1	012440
	DO 110 I=2,IM	012450
	DL=DD(I)	012460
	XPL=DXP(I)	012470
	BATE=0.E0	012480
	I1=I-1	012490
C	DR VONDI FORM OF BATEMAN EQUATIONS -- ORNL-TM-361	012500
	DO 100 KB=1,I1	012510
	XPJ=DXP(KB)	012520
	IF(XPL.XPJ.LT.ERR) GO TO 100	012530
	DK=DD(KB)	012540
	PROD=(DL/DK-1.0)	012550
	DKR=PROD	012560
	IF(ABS(PROD).GT.1.E-4) GO TO 60	012570
C	USE THIS FORM FOR TWO NEARLY EQUAL HALF-LIVES	012580
	PROD=T*DK*XPJ*(1.0-0.5*(DL-DJ)*T)	012590
	GO TO 70	012600
60	RPROD=(XPJ-XPL)/PROD	012610
	PRO1=XPJ/DKR	012620
70	PI=1.0	012630
	S1=2./(DK*T)	012640
	DO 90 JK=1,I1	012650
	IF(JK.EQ.KB) GO TO 90	012660
	S=1.0-DK/DD(JK)	012670
	IF(ABS(S).GT.1.E-4) GO TO 80	012680
	IF(ABS(DKR).GT.1.0E-4) PROD=PRO1	012690
	S=S1	012700
80	PI=PI*S	012710

```

          IF (ABS(PI).GT.1.E25) GO TO 100          012720
90      CONTINUE                                  012730
          BATE=BATE+PROD/PI                        012740
100     CONTINUE                                  012750
C       IF SUMMATION IS NEGATIVE, SET EQUAL TO ZERO AND PRINT MESSAGE 012760
          IF (BATE.LT.0.E0) PRINTY001,L,IM,BATE,BATM 012770
9001    FORMAT("BATE IS NEGATIVE IN TERM. THERE ARE MORE THAN TWO SHORT-LO 012780
1       IVED NUCLIDES IN A CHAIN WITH NEARLY EQUAL DIAGONAL ELEMENTS"/ 012790
          2" L,IM,BATE,BATM = ",Z15,1P2E12.5)      012800
          IF (BATE.LT.0.E0) BATE=0.E0             012810
          BATM=BATM+BATE                           012820
110     CONTINUE                                  012830
          DRA=AKDJQ*DJ*(TRM-BATM)/TRM             012840
          GO TO 130                                 012850
120     DRA=AKDJQ*AMAX1(DRB,0,0)*DJ               012860
130     IF (NS.GT.NN) GO TO 150                   012870
          DO 140 LJ=NS,NN                          012880
          IF (LOCP(LJ).NE.J1) GO TO 140           012890
          AP(LJ)=AP(LJ)+DRA                        012900
          GO TO 180                                 012910
140     CONTINUE                                  012920
150     NN=NN+1                                    012930
          AP(NN)=DRA                                012940
          LOCP(NN)=J1                               012950
          GO TO 180                                 012960
160     IF (AKDJQ.LE.1.0E-06) GO TO 180          012970
          IF (NSAVE.GE.50) GO TO 180              012980
170     NSAVE=NSAVE+1                             012990
          NQUEUE(NSAVE)=J1                         013000
          QUEUE(NSAVE)=AKDJQ                       013010
          NQU(NSAVE)=J                             013020
          QUB(NSAVE)=DRB-1./(DJ*T)                 013030
180     CONTINUE                                  013040
190     IF (NSAVE.LE.0) GO TO 200                 013050
          J=NQUEUE(NSAVE)                          013060
          QUE=QUEUE(NSAVE)                         013070
          NQ(J)=NQU(NSAVE)                         013080
          DRB=QUB(NSAVE)                           013090
          CIMB(L)=CIMB(L)+QUE*B(J)*AMAX1(DRB,0,0) 013100
          NSAVE=NSAVE-1                             013110
          GO TO 200                                 013120
200     CONTINUE                                  013130
210     NUL=NONP(L)                               013140
          NONP(L)=NN                               013150
220     CONTINUE                                  013160
C       FIND NORM OF MATRIX AND ESTIMATE ERROR AS DESCRIBED IN LAPIDUS 013170
C       AND LUUS, OPTIMAL CONTROL OF ENGINEERING PROCESSES BLAISDELL 1967 013180
C       FIND THE MINIMUM OF THE MAXIMUM ROW SUM AND THE MAXIMUM COLUMN SUM 013190
          ASUM=0.0                                  013200
          ASUMJ=0.0                                 013210
          NUL=1                                     013220
          DO 250 I=1,ITOT                           013230
          IF (.NOT.LONG(I)) GO TO 250              013240
          DI=-D(I)*T                                013250
          AJ=DI                                      013260
          NUM=NONP(I)                               013270
          IF (NUL.GT.NUM) GO TO 240                 013280
          DO 230 N=NUL,NUM                          013290
230     AJ=AJ+AP(N)                                013300
240     AI=DI+DI                                    013310
          IF (AI.GT.ASUM) ASUM=AI                   013320
          IF (AJ.GT.ASUMJ) ASUMJ=AJ                 013330

```

```

250 NUL=NONP(I)+1                                013340
    IF (ASUMJ.LT.ASUM) ASUM=ABUMJ                013350
C   USE ASUM TO DECIDE HOW MANY TERMS ARE REQUIRED AND ESTIMATE ERROR 013360
    NLARGE=3.5*ASUM +5.                          013370
    XLARGE=NLARGE                                013380
    ERR1=EXP(ASUM)*(ASUM*2.71828/XLARGE)**NLARGE/SQRT(6.2832*XLARGE) 013390
    IF (ERR1.GT.1.E-3) PRINT 9002, ERR1,ASUM,NLARGE 013400
9002 FORMAT('0MAXIMUM ERROR GT 0.001, =F10.6,', TRACE = 'F10.4, 013410
1   " NLARGE = "I6)                              013420
C   NEXT GENERATE MATRIX EXPONENTIAL SOLUTION 013430
    DO 260 I=1,ITOT                               013440
    CSUM(I)=XTEMP(I)                              013450
    CIMN(I)=XTEMP(I)                              013460
260 CONTINUE                                     013470
    ERR3=0.001*ERR                                013480
    DO 310 NT=1,NLARGE                             013490
    DO 270 I=1,ITOT                               013500
    CIM0(I)=CIMN(I)                               013510
270 CONTINUE                                     013520
    TON=T/NT                                       013530
    NUL=1                                          013540
    DO 300 I=1,ITOT                               013550
    IF (.NOT.LONG(I)) GO TO 300                   013560
    NUM=NONP(I)                                    013570
    CIMNI=0.0                                       013580
    IF (NT.EQ.1) CIMNI=CIMN(I)                   013590
    IF (NUL.GT.NUM) GO TO 290                     013600
    DO 280 N=NUL,NUM                               013610
    J=LOCP(N)                                       013620
280 CIMNI=CIMNI+AP(N)*CIM0(J)                   013630
290 CIMNI=CIMNI+D(I)*CIM0(I)                   013640
    CIMNI=TON*CIMNI                                013650
    IF (ABS(CIMNI).LT.ERR3) CIMNI=0.E0           013660
    CIMN(I)=CIMNI                                  013670
    CSUM(I)=CSUM(I)+CIMNI                         013680
300 NUL=NONP(I)+1                                013690
310 CONTINUE                                     013700
    DO 320 I=1,ITOT                               013710
    IF (CSUM(I).LT.ERR) CSUM(I)=0.0             013720
    IF (LONG(I)) XNEW(M,I)=CSUM(I)               013730
320 CONTINUE                                     013740
    RETURN                                         013750
    END                                            013760
*DEGK DECAY                                       013770
SUBROUTINE DECAY(M,T,ITOT)                        013780
C   DECAY TREATS SHORT-LIVED ISOTOPES AT BEGINNING OF CHAINS USING 013790
C   BATEMAN EQUATIONS                             013800
    LOGICALLONG                                   013810
    COMMON/SERIES/ XP(800),XPAR(800),LONG(800)   013860
    COMMON/CONST/MMN,ERR,MZER0
    COMMON/EQ/XTEMP(800),XNEW(10,800),R(800),P(800)
    COMMON/MATRIX/A(2500),LOC(2500),NON0(800),KD(800)
    LEVEL 2,A,LOC,NON0,KD
    COMMON/TERMD/DD(100),DXP(100),QUEUE(50),NQU(50),NQUEUE(50),NQ(800) 013900
    AXN=-ALOG(0.001)                              000560
    DO 10 I=1,ITOT                                013910
    XPAN(I)=0.0                                    013920
    LONG(I)=.FALSE.                               013930
    XPI=0.0                                        013940
    DT=D(I)*T                                      013950
    IF (DT.LT.-50.) GO TO 10                     013960
    IF (ABS(DT).LE.AXN) LONG(I)=.TRUE.          013970
    XPI=EXP(DT)                                    013980
    XPI=EXP(DT)                                    013990

```

10	XP(I)=XPI-	014000
	NUL=1	014010
	DO 160 L=1,ITUT	014020
	XTEM=0.0	014030
	DL=-D(L)	014040
	NUM=NONO(L)	014050
	IF(M.GT.MMN.OR.M.EQ.MZERO) NUM=KD(L)	014060
	IF(NUM.LT.NUL) GO TO 150	014070
	DO 140 N=NUL,NUM	014080
	J=LOC(N)	014090
	DJ=-D(J)	014100
	IF(LONG(J)) GO TO 140	014110
C	USE THIS FORM FOR TWO NEARLY EQUAL HALF-LIVES	014120
	IF(ABS(DL/DJ-1.0).LE.1.0E-5) XTEM=XTEM+XTEMP(J)*A(N)*XP(J)*T	014130
	IF(ABS(DL/DJ-1.0).GT.1.0E-5)	014140
1	XTEM=XTEM+XTEMP(J)*A(N)*(XP(J)-XP(L))/(DL-DJ)	014150
	QUE=A(N)/DJ	014160
	NQ(L)=0	014170
	NQ(J)=L	014180
	NSAVE=0	014190
20	NUX=NONO(J)	014200
	IF(M.GT.MMN.OR.M.EQ.MZERO) NUX=KD(J)	014210
	NUF=1	014220
	IF(J.GT.1) NUF=NONO(J-1)+1	014230
	IF(NUF.GT.NUX) GO TO 130	014240
	DO 120 K=NUF,NUX	014250
	J1=LOC(K)	014260
	IF(LONG(J1)) GO TO 120	014270
	KP=J	014280
30	IF(J1.EQ.NQ(KP)) GO TO 120	014290
	KP=NQ(KP)	014300
	IF(KP.NE.0) GO TO 30	014310
	DJ=-D(J1)	014320
	AKDJQ=A(K)/DJ*QUE	014330
	IF(AKDJO.LE.1.0E-06) GO TO 120	014340
	NQ(J1)=J	014350
	I=1	014360
	KP=J1	014370
40	DU(I)=-D(KP)	014380
	DXP(I)=XP(KP)	014390
	KP=NQ(KP)	014400
	IF(KP.EQ.0) GO TO 50	014410
	I=I+1	014420
	IF(I.LE.100) GO TO 40	014430
	PRINT 9000, M,L,J1,J,AKDJQ	014440
9000	FORMAT('11',4I5,E12.5)	014450
	GO TO 130	014460
50	BATE=0.E0	014470
	I1=I-1	014480
	XPL=XP(L)	014490
C	D R VONDI FORM OF BATEMAN EQUATIONS -- ORNL-TM-361	014500
	DO 100 KB=1,I1	014510
	XPJ=DXP(KB)	014520
	IF(XPL+XPJ.LT.ERR) GO TO 100	014530
	DK=DD(KB)	014540
	PROD=(DL/DK-1.0)	014550
	DKR=PROD	014560
	IF(ABS(PROD).GT.1.E-4) GO TO 60	014570
	PROD=T*DK*XPJ*(1.0-0.5*(DL-DJ)*T)	014580
	GO TO 70	014590
60	PROD=(XPJ-XPL)/PROD	014600
	PRO1=XPJ/DKR	014610

70	PI=1.0	014620
	S1=2./(DK*T)	014630
	DO 90 JK=1,I1	014640
	IF (JK.EQ.KB) GO TO 90	014650
	S=1.0-DK/DD(JK)	014660
	IF (ABS(S).GT.1.E-4) GO TO 80	014670
C	USE THIS FORM FOR TWO NEARLY EQUAL HALF-LIVES	014680
	IF (ABS(DKR).GT.1.0E+4) PROD=PRO1	014690
	S=S1	014700
80	PI=PI*S	014710
	IF (ABS(PI).GT.1.E25) GO TO 100	014720
90	CONTINUE	014730
	BATE=BATE+PROD/PI	014740
100	CONTINUE	014750
	IF (BATE.LT.0.E0) PRINTY001,L,I,BATE,XTEM,XTEMP(J1),AKDJQ	014760
9001	FORMAT(' L,I,BATE,XTEM,XTEMP(J1),AKDJQ = ',2I5,1P4E12.5)	014770
	IF (BATE.LT.0.E0) BATE=0.E0	014780
	XTEM=XTEM+XTEMP(J1)*AKDJQ*BATE	014790
	IF (NSAVE.GE.50) GO TO 120	014800
110	NSAVE=NSAVE+1	014810
	NQUEUE(NSAVE)=J1	014820
	QUEUE(NSAVE)=AKDJQ	014830
	NQU(NSAVE)=J	014840
120	CONTINUE	014850
130	IF (NSAVE.LE.0) GO TO 140	014860
	J=NQUEUE(NSAVE)	014870
	QUE=QUEUE(NSAVE)	014880
	NQ(J)=NQU(NSAVE)	014890
	NSAVE=NSAVE-1	014900
	GO TO 20	014910
140	CONTINUE	014920
	IF (LONG(L)) XPAR(L)=XTEM/XP(L)	014930
150	NUL=NONO(L)+1	014940
	IF (.NOT.LONG(L)) XNEW(M,L)=XTEM+XTEMP(L)*XP(L)	014950
160	CONTINUE	014960
	DO 170 I=1,ITOT	014970
	IF (LONG(I)) XTEMP(I)=XTEMP(I)+XPAR(I)	014980
	IF (.NOT.LONG(I)) XTEMP(I)=0.0	014990
170	CONTINUE	015000
	RETURN	015010
	END	015020
*DECK	EQUIL	015030
	SUBROUTINE EQUIL(M,ITOT)	015040
C		015050
C	EQUIL PUTS SHORT-LIVED DAUGHTERS IN EQUILIBRIUM WITH PARENTS	015060
C	EQUIL USES GAUSS-SEIDEL ITERATION TO GENERATE STEADY STATE	015070
C	CONCENTRATIONS	015080
C		015090
		015100
	LOGICALLONG	
	COMMON/EQ/XTEMP(800),XNEW(10,800),B(800),P(800)	
	COMMON/MATRIX/A(2500),LOC(2500),NONO(800),KD(800)	015140
	LEVEL 2,A,LUC,NONO,KD	000580
	COMMON/CONST/MMN,ERR,MZERU	
	COMMON/SERIES/ XP(800),XPAR(800),LONG(800)	015160
	QXN=0.001	
	DO 10 I=1,ITOT	015170
	XPAR(I)=0.0	015180
	IF (.NOT.LONG(I)) GO TO 10	015190
	XTEMP(I)=XTEMP(I)*XP(I)	015200
	XPAR(I)=AMAX1(XNEW(M,I)-XTEMP(I),0.0)	015210
10	CONTINUE	015220
	ITER=1	015230
20	N=0	015240

```

BIG=0.0
DO 60 I=1,ITOT
NUM=NONO(I)-N
DI=-D(I)
IF (LONG(I)) GO TO 50
XNW=B(I)
IF (M.GT.MMN.OR.M.EQ.MZERO) NUM=KD(I)-N
IF (NUM.EQ.0) GO TO 31
DO 30 K=1,NUM
N=N+1
J=LOC(N)
DJ=-D(J)
XJ=XPAR(J)
IF (LONG(J)) XJ=XJ+XTEMP(J)/(1.0-DJ/DI)
XNW=XNW+A(N)*XJ
30 CONTINUE
31 XNW=XNW/DI
IF (XNW.LT.1.0E-50) GO TO 40
ARG=ABS((XNW-XPAR(I))/XNW)
IF (ARG.GT.BIG) BIG=ARG
40 XPAR(I)=XNW
50 N=NONO(I)
60 CONTINUE
IF (BIG.LT.0.001) GO TO 70
ITER=ITER+1
IF (ITER.LT.100) GO TO 20
PRINT 9000
STOP
70 DO 80 I=1,ITOT
IF (.NOT.LONG(I)) XNEW(M,I)=XNEW(M,I)+XPAR(I)
80 CONTINUE
RETURN
9000 FORMAT(" GAUSS SEIDEL ITERATION DID NOT CONVERGE IN EQUIL")
END
*DECK NUDATA
SUBROUTINE NUDATA(NLIBE)
NUDATA VERSION TO HANDLE THREE TYPES OF NUCLEAR DATA LIBRARIES
C HAS POINTER, NLIBE, = 1 FOR HTGR
C = 2 FOR LIGHT WATER REACTOR
C = 3 FOR LMFBR
C = 4 FOR MSBR
INTEGERELE(99),STA(2)
DIMENSION COEFF(7,800),NPROD(7,800),CAPT(6),YIELD(5,500)
DIMENSION Y(5),NSORS(4),TYLD(5),NUCAL(6)
DIMENSION SKIP(20),MSRS(20),NAME(3)
DIMENSION TUCAP(800),FIS(100),TITLE(20),Q(800),FG(800),
1ALPHA(100),SPONF(100),ABUND(500),KAP(800),MMAX(800)
COMMON/LABEL/ELE,STA
COMMON/CONST/MMN,ERR,MZERU
COMMON/EQ/XTEMP(800),XNEW(10,800),B(800),P(800)
COMMON/FLUXN/REGENT,DLS(800),ILITE,IACT,ITOT
COMMON/OUT/NUCL(800)
COMMON/MATRIX/A(2500),LOC(2500),NONO(800),KD(800)
LEVEL 2,A,LOC,NONO,KD
COMMON/CCOEFF/COEFF
LEVEL 2,COEFF
EQUIVALENCE (XNEW(1,401),NPROD(1,1))
EQUIVALENCE (A1,DLAM)
DATA NUCAL/-20030,-10000,10,11,-10,-9/
DATA MSRS/922330,922350,902320,922380,942390,922330,922350,942410,
1 922380,942390,942410,922350,942400,922380,942390,922330,
2 922350,902320,922380,942390/

```

```

C
C PROGRAM TO COMPUTE A MATRIX (TRANSITION MATRIX) FROM NUCLEAR DATA 015930
C
C READ 9011, (TITLE(I),I=1,18),NLIBE 015940
C IF(NLIBE.LT.0) PROGRAM WILL READ TAPE IN CASDAR FORMAT 015950
C IGWC=0 015960
C IF(NLIBE.GT.0) GO TO 10 015970
C IGWC=1 015980
C NLIBE=-NLIBE 015990
C PRINT 9000 016000
9000 FORMAT(1H0,"WILL READ TAP6 GENERATED BY CASDAR") 016010
10 N1=4-NLIBE 016020
20 READ 9001, THERM,RES,FAST,ERR,NMO,NDAY,NYR,MPCTAB,INPT,IR 016030
PRINT 9005, NMO,NDAY,NYR 016040
PRINT 9006 016050
PRINT 9007 016060
PRINT 9008 016070
PRINT 9009 016080
PRINT 9010 016090
PRINT 9013 016100
PRINT 9014 016110
C 016120
C THERM = RATIO OF THERMAL FLUX TO TOTAL FLUX 016130
C RES = RATIO OF RESONANCE FLUX TO TOTAL FLUX 016140
C FAST = RATIO OF FAST FLUX TO TOTAL FLUX 016150
C ERR = TRUNCATION ERROR LIMIT 016160
C 016170
C READ DATA FOR LIGHT ELEMENTS 016180
C 016190
C K=5*(NLIBE-1) 016200
DO 30 K1=1,5 016210
K2=K+K1 016220
30 NSORS(K1)=MSRS(K2) 016230
PRINT 9018, THERM,RES,FAST,(NSORS(K),K=1,5),NLIBE 016240
I=0 016250
NUTAPE=0 016260
40 I=I+1 016270
50 READ(8,9034)NUCL(I),DLAM,IU,FB1,FP,FP1,FT,FA,FSF,Q(I),FG(I),ABUND( 016280
I),DUMY1,DUMY2 016290
IF(EOF(8).NE.0)GOTO260 016300
IF(IGWC.GT.0) GO TO 10 016310
DO 60 N=1,NLIBE 016320
60 READ(8,9035) SIGTH,FN01,FNA,FNP,RITH,FINA,FINP,SIGMEV,FN2N1,FFNA, 016330
1 FFNP,IT 016340
GO TO 90 016350
70 DO 80 N=1,NLIBE 016360
80 READ(8,9040) SIGTH,FN01,FNA,FNP,RITH,FINA,FINP,SIGMEV,FN2N1,FFNA, 016370
1 FFNP,IT 016380
90 IF(N1.EQ.0) GO TO 110 016390
DO 100 N=1,N1 016400
100 READ(8,9036) SKIP 016410
110 IF(IT.EQ.0) GO TO 50 016420
120 M=0 016430
CALL HALF(A1,IU) 016440
NUCLI=NUCL(I) 016450
IF(NUCLI.EQ.0) GO TO 260 016460
CALL NOAH(NUCLI,NAME) 016470
IF(MOD(I-1,50).EQ.0) PRINT 9012, (TITLE(N),N=1,18) 016480
IF(MOD(I-1,50).EQ.0) PRINT 9016 016490
SIGTH=THERM*SIGTH 016500
RITH=RES*RITH 016510
SIGMEV=FAST*SIGMEV 016520
SIGNA=SIGTH*FNA+RITH*FINA+SIGMEV*FFNA 016530
016540
016550

```

	SIGNP=SIGTH*FNP+RITH*FINP+SIGMEV*FFNP	016560
	FNG=1.0-FNA-FNP	016570
	IF (FNG.LT.1.0E-4) FNG=0.	016580
	FING=1.0-FINA-FINP	016590
	IF (FING.LT.1.0E-4) FING=0.	016600
	FN2N=1.0-FFNA-FFNP	016610
	IF (FN2N.LT.1.0E-4) FN2N=0.	016620
	SIGNG=SIGTH*FNG+RITH*FING	016630
	SIGN2N=SIGMEV*FN2N	016640
130	PRINT 9033, NAME, DLAM,FB1,FP,FP1,FT,FA,SIGNG,	016650
1	FNG1,SIGN2N,FN2N1,SIGNA,SIGNP,Q(I),FG(I),ABUND(I)	016660
C	TEST RADIOACTIVITY	016670
C		016680
140	IF (A1.LE.ERR) GO TO 180	016690
	ABETA=1.0	016700
C		016710
C	TEST POSITRON EMISSION	016720
C		016730
	IF (FP .LT. ERR) GO TO 150	016740
	M=M+1	016750
	COEFF (M,I)=FP*A1	016760
	NPROD (M,I)=NUCLI-10000	016770
	ABETA=ABETA-FP	016780
C		016790
C	TEST POSITRON EMISSION TO EXCITED STATE OF PRODUCT NUCLIDE	016800
C		016810
	IF (FP1 .LT. ERR) GO TO 150	016820
	M=M+1	016830
	COEFF (M,I)=FP1*COEFF (M-1,I)	016840
	NPROD (M,I)=NPROD (M-1,I)+1	016850
	COEFF (M-1,I)=COEFF (M-1,I)-COEFF (M,I)	016860
C		016870
C	TEST ISOMERIC TRANSITION	016880
C		016890
150	IF (FT .LT.ERR) GO TO 160	016900
	M=M+1	016910
	COEFF (M,I)=FT*A1	016920
	NPROD (M,I)=NUCLI	016930
	ABETA=ABETA-FT	016940
C		016950
C	TEST ALPHA EMISSION	016960
C		016970
160	IF (FA .LT. ERR) GO TO 170	016980
	M=M+1	016990
	COEFF (M,I)=FA*A1	017000
	NPROD (M,I)=NUCLI-20040	017010
	M=M+1	017020
	COEFF (M,I)=COEFF (M-1,I)	017030
	NPROD (M,I)=20040	017040
	ABETA=ABETA-FA	017050
C		017060
C	TEST NEGATRON EMISSION	017070
C		017080
170	IF (ABETA.LT.1.E-4) GO TO 180	017090
	M=M+1	017100
	COEFF (M,I)=ABETA*A1	017110
	NPROD (M,I)=NUCLI+10000	017120
C		017130
C	TEST NEGATRON EMISSION TO EXCITED STATE OF PRODUCT NUCLIDE	017140
C		017150
	IF (FB1 .LT. ERR) GO TO 180	017160
	M=M+1	017170

	COEFF(M,I)=FB1*COEFF(M-1,I)	017180
	NPROD(M,I)=NPROD(M-1,I)+1	017190
	COEFF(M-1,I)=COEFF(M-1,I)+COEFF(M,I)	017200
C		017210
C	COMPUTE NEUTRON CAPTURE CROSS SECTIONS IN THREE REGIONS	017220
C		017230
180	KAP(I)=M	017240
	DO 190 KI=1,6	017250
190	CAPT(KI)=0.0	017260
	GAPT(1)=SIGNA	017270
	CAPT(2)=SIGNP	017280
	CAPT(4)=SIGNG*FNG1	017290
	CAPT(3)=SIGNG-CAPT(4)	017300
	CAPT(5)=SIGN2N*FN2N1	017310
	CAPT(6)=SIGN2N-CAPT(5)	017320
200	TOCAP(I)=0.0	017330
C	TOTAL NEUTRON CROSS SECTION FOR NUCLIDE(I)	017340
	DO 220 K=1,6	017350
	CAPKI=CAPT(K)	017360
	IF(CAPKI.LT.ERR) GO TO 220	017370
	M=M+1	017380
	NPROD(M,I)=NUCLI+NUCAL(K)	017390
	COEFF(M,I)=CAPKI	017400
	TOCAP(I)=TOCAP(I)+CAPKI	017410
	IF(K.NE.1) GO TO 210	017420
	M=M+1	017430
	COEFF(M,I)=COEFF(M-1,I)	017440
	NPROD(M,I)=20040	017450
210	IF(K.NE.2) GO TO 220	017460
	M=M+1	017470
	COEFF(M,I)=COEFF(M-1,I)	017480
	NPROD(M,I)=10010	017490
220	CONTINUE	017500
230	IF(MOD(NUCLI, 10).EQ.0) GO TO 250	017510
	DO 240 K=1,M	017520
240	NPROD(K,I)=NPROD(K,I)*1	017530
250	MMAX(I)=M	017540
	IF(M.GT.7) PRINT 9039, M	017550
	DIS(I)=A1	017560
	GO TO 40	017570
260	ILITE = I-1	017580
	IACT=0	017590
C		017600
C	READ DATA ON ACTINIDES	017610
C		017620
270	READ(8,9034) NUCL(I),DLAM,IU,FB1,FP,FP1,FT,FA,FSF,Q(I),FG(I),DUMMY,017630	017630
	IDUMY1,DUMY2	
	IF(EOF(8).NE.0)GOTO450	017650
	DO 280 N=1,NLIBE	017660
	READ(8,9037) SIGNG,RING,FNG1,SIGF,RIF,SIGFF,SIGN2N,FN2N1,SIGN3N,IT017670	017670
280	CONTINUE	017680
	IF(N1.EQ.0) GO TO 300	017690
	DO 290 N=1,N1	017700
290	READ(8,9036) SKIP	017710
300	IF(IT.EQ.0) GO TO 270	017720
310	M=0	017730
	NUCLI=NUCL(I)	017740
	IF(NUCLI.EQ.0) GO TO 450	017750
	DO 320 K=1,5	017760
	IF(NUCLI.EQ.NSORS(K)) NSURS(K)=I	017770
320	CONTINUE	017780
	CALL HALF(A1,IU)	017790
	CALL NOAH(NUCLI,NAME)	017800

```

SIGNG=THERM*SIGNG+RES*RING                                017810
SIGF =THERM*SIGF +RES*RF +FAST*SIGF                      017820
SIGN2N=SIGN2N*FAST                                         017830
SIGN3N=SIGN3N*FAST                                         017840
IF (MOD(IACT,50).EQ.0) PRINT 9012, (TITLE (N),N=1,18)     017850
330 IF (MOD(IACT,50).EQ.0) PRINT 9024                       017860
PRINT 9026, NAME, DLAM,FB1,FP,FP1,FT,FA,FSF,SIGNG,        017870
1 FNG1,SIGF,SIGN2N,SIGN3N,Q(1),F(1)                       017880
340 IACT=IACT+1                                             017890
C                                                            017900
C TEST RADIOACTIVITY                                       017910
C                                                            017920
IF (A1.LT.ERR) GO TO 280                                    017930
ABETA=1.0                                                    017940
C TEST POSITRON EMISSION                                    017950
IF (FP .LT. ERR) GO TO 350                                  017960
ABETA=ABETA-FP                                              017970
M=M+1                                                        017980
COEFF(M,I)=FP*A1                                            017990
NPROD(M,I)=NUCLI-10000                                      018000
C POSITRON EMISSION TO EXCITED STATE                       018010
IF (FP1 .LT. ERR) GO TO 350                                 018020
M=M+1                                                        018030
COEFF(M,I)=FP1*COEFF(M-1,I)                                018040
NPROD(M,I)=NPROD(M-1,I)+1                                  018050
COEFF(M-1,I)=COEFF(M-1,I)-COEFF(M,I)                      018060
C ISOMERIC TRANSITION                                     018070
350 IF (FT .LT.ERR) GO TO 390                                018080
M=M+1                                                        018090
COEFF(M,I)=FT*A1                                            018100
NPROD(M,I)=NUCLI                                           018110
ABETA=ABETA-FT                                              018120
C ALPHA EMISSION                                          018130
360 IF (FA .LT.ERR) GO TO 370                                018140
M=M+1                                                        018150
COEFF(M,I)=FA*A1                                            018160
NPROD(M,I)=NUCLI-20040                                      018170
M=M+1                                                        018180
COEFF(M,I)=COEFF(M-1,I)                                    018190
NPROD(M,I)=20040                                            018200
ABETA=ABETA-FA                                              018210
C BETA DECAY                                              018220
370 IF (ABETA.LT.1.E-4) GO TO 380                           018230
M=M+1                                                        018240
COEFF(M,I)=ABETA*A1                                         018250
NPROD(M,I)=NUCLI+10000                                      018260
IF (FB1 .LT. ERR) GO TO 380                                 018270
M=M+1                                                        018280
COEFF(M,I)=COEFF(M-1,I)*FB1                                  018290
COEFF(M-1,I)=COEFF(M-1,I)-COEFF(M,I)                      018300
NPROD(M,I)=NPROD(M-1,I)+1                                  018310
C                                                            018320
C NEUTRON CAPTURE CROSS SECTIONS                          018330
C                                                            018340
380 KAP(I)=M                                                 018350
DO 390 K=1,6                                                018360
390 CAPT(K )=0.0                                             018370
CAPT(2)=SIGNG*FNG1                                          018380
CAPT(1)=SIGNG-CAPT(2)                                       018390
CAPT(4)=SIGN2N*FN2N1                                        018400
CAPT(3)=SIGN2N-CAPT(4)                                       018410
400 FISS(IACT)=SIGF                                         018420

```

```

TOCAP(I)=0.0
DO 410 K=1,4
CAPKI=CAPT(K)
IF(CAPKI.LT.ERR) GO TO 410
M=M+1
TOCAP(I)=TOCAP(I)+CAPKI
COEFF(M,I)=CAPKI
NPROD(M,I)=NUCLI+NUCAL(K+2)
410 CONTINUE
TOCAP(I)=TOCAP(I)+FISS(IAET)
C N-3N CROSS SECTION
A17=SIGN3N
IF(A17.LT.ERR) GO TO 420
M=M+1
COEFF(M,I)=A17
NPROD(M,I)=NUCLI-20
TOCAP(I)=TOCAP(I)+A17
420 IF(MOD(NUCLI,10).EQ.0) GO TO 440
DO 430 K=1,M
430 NPROD(K,I)=NPROD(K,I)-1
440 MMAX(I)=M
IF(M.GT.7) PRINT 9039, M
SPONF(IACT)=FSF*A1*6.023E23
ALPHAN(IACT)=FA*A1*6.023E13*Q(I)**3.65
DIS(I)=A1
I=I+1
GO TO 270
450 IL=0
DO 460 K=1,5
460 TYLD(K)=0.0
C READ DATA FOR FISSION PRODUCTS
C
470 READ(8,9034)NUCL(I),DLAM,IU,FB1,FP,FP1,FT,FA,FSF,Q(I),FG(I),DUMMY,
1 DUMMY1,DUMMY2
IF(EOF(8).NE.0)GOTO690
DO 480 N=1,NLIBE
480 READ(8,9038) SIGNG,RING,FNG1,Y,IT
IF(N1.EQ.0) GO TO 500
DO 490 N=1,N1
490 READ(8,9036) SKIP
500 IF(IT.EQ.0) GO TO 470
510 M=0
CALL HALF(A1,IU)
520 NUCLI=NUCL(I)
IF(NUCLI.EQ.0) GO TO 490
CALL NOAH(NUCLI,NAME)
IF(MOD(IL,50).EQ.0) PRINT 9012, (TITLE(N),N=1,18)
SIGNG=7THERM*SIGNG+RESRING
IF(NLIBE.EQ.3) GO TO 530
530 IF(MOD(IL,50).EQ.0) PRINT 9019
PRINT 9021, NAME, DLAM,FB1,FP,FP1,FT,SIGNG,
1 FNG1,Y,Q(I),FG(I)
GO TO 550
540 IF(MOD(IL,50).EQ.0) PRINT 9020
PRINT 9022, NAME, DLAM,FB1,FP,FP1,FT,SIGNG,FNG1,
1 Y(2),Y(4),Y(5),Q(I),FG(I)
C
C TEST RADIOACTIVITY
C
550 IF(A1.LT.ERR) GO TO 600
ABETA=1.0
C POSITRON EMISSION

```

	A3=FP	019060
	IF (A3.LT.ERR) GO TO 570	019070
	ABETA=ABETA-A3	019080
	AP1=A3*FP1	019090
	AP=A3-AP1	019100
	IF (AP.LT.ERR) GO TO 560	019110
	M=M+1	019120
	COEFF (M,I)=AP*A1	019130
	NPROD (M,I)=NUCLI-10000	019140
560	IF (AP1.LT.ERR) GO TO 570	019150
	M=M+1	019160
	COEFF (M,I)=AP1*A1	019170
	NPROD (M,I)=NUCLI-9999	019180
C	ISOMERIC TRANSITION	019190
570	IF (FT.LT.ERR) GO TO 580	019200
	M=M+1	019210
	COEFF (M,I)=FT*A1	019220
	NPROD (M,I)=NUCLI	019230
	ABETA=ABETA-FT	019240
C	NEGATRON EMISSION	019250
580	IF (ABETA.LT.1.0E-4) GO TO 600	019260
	A2=FB1	019270
	AB1=ABETA*A2	019280
	AB=ABETA-AB1	019290
	IF (AB.LT.1.E-4) GO TO 590	019300
	M=M+1	019310
	COEFF (M,I)=AB*A1	019320
	NPROD (M,I)=NUCLI+10000	019330
590	IF (AB1.LT.1.E-6) GO TO 600	019340
	M=M+1	019350
	COEFF (M,I)=AB1*A1	019360
	NPROD (M,I)=NUCLI+10000	019370
C		019380
C	NEUTRON CAPTURE CROSS SECTIONS FOR FISSION PRODUCTS USING THREE	019390
C	REGION APPROXIMATION	019400
C		019410
600	KAP (I)=M	019420
	DO 610 K=1,6	019430
610	CAPT (K)=0.0	019440
	CAPT (2)=SIGNG*FNG1	019450
	CAPT (1)=SIGNG-CAPT (2)	019460
	TOCAP (I)=0.0	019470
	DO 620 K=1,2	019480
	CAPKI=CAPT (K)	019490
	IF (CAPKI.LT.ERR) GO TO 620	019500
	M=M+1	019510
	TUCAP (I)=TUCAP (I)+CAPKI	019520
	COEFF (M,I)=CAPKI	019530
	NPROD (M,I)=NUCLI+NUCAL (K+2)	019540
620	CONTINUE	019550
630	IF (MOD (NUCLI,10).EQ.0) GO TO 650	019560
	DO 640 K=1,M	019570
640	NPROD (K,I)=NPROD (K,I)*1	019580
650	IL=IL+1	019590
	DO 660 J=1,5	019600
	YJ=Y (J)*0.010	019610
	TYLD (J)=TYLD (J)+YJ	019620
660	YIELD (J,IL)=YJ	019630
	IF (NLIBE.EQ.1.OR.NLIFE.EQ.4) GO TO 680	019640
670	IF (NLIFE.EQ.3) YIELD (1,IL)=YJ	019650
	YIELD (3,IL)=YJ	019660
680	MMAX (I)=M	019670

	IF(M.GT.7)- PRINT 903Y, M	019680
	DIS(I)=A1	019690
	I=I+1	019700
	GO TO 470	019710
690	IFP=IL	019720
C		019730
C	ALL DATA ON NUCLIDES HAS BEEN READ, BEGIN TO COMPUTE MATRIX COEFF	019740
C		019750
	ITOT=I-1	019760
C		019770
C	FIND PRODUCT NUCLIDES FOR REACTIONS OF LIGHT ELEMENTS	019780
C		019790
	NON=0	019800
	DO 700 K=1,ITOT	019810
700	NONO(K)=0	019820
	IF(ILITE.LT.1) GO TO 760	019830
	DO 750 I=1,ILITE	019840
	NUCLI=NUCL(I)	019850
	DO 720 J=1,ILITE	019860
	KMAX=KAP(J)	019870
	IF(KMAX.LT.1) GO TO 720	019880
	DO 710 M=1,KMAX	019890
	IF(NUCLI.NE.NPROD(M,J)) GO TO 710	019900
	NONO(I)=NONO(I)+1	019910
	NON=NON+1	019920
	IF(NON.GT.2500) PRINT 904I, NON,NUCL(I)	019930
	A(NON)=COEFF(M,J)	019940
	JT=J	019950
	LOC(NON)=JT	019960
710	CONTINUE	019970
720	CONTINUE	019980
	KD(I)=NONO(I)	019990
	DO 740 J=1,ILITE	020000
	K1=KAP(J)+1	020010
	KMAX=MMAK(J)	020020
	IF(KMAX.LT.K1) GO TO 740	020030
	DO 730 M=K1,KMAX	020040
	IF(NUCLI.NE.NPROD(M,J)) GO TO 730	020050
	NONO(I)=NONO(I)+1	020060
	NON=NON+1	020070
	IF(NON.GT.2500) PRINT 904I, NON,NUCL(I)	020080
	A(NON)=COEFF(M,J)	020090
	JT=J	020100
	LOC(NON)=JT	020110
730	CONTINUE	020120
740	CONTINUE	020130
750	CONTINUE	020140
C		020150
C	NON ZERO MATRIX ELEMENTS FOR THE ACTINIDES	020160
C		020170
760	IF(IACT.LT.1) GO TO 720	020180
	I0=ILITE+1	020190
	I1=ILITE+IACT	020200
	DO 810 I=I0,I1	020210
	NUCLI=NUCL(I)	020220
	DO 780 J=I0,I1	020230
	MAX=KAP(J)	020240
	IF(MAX.LT.1) GO TO 780	020250
	DO 770 M=1,MAX	020260
	IF(NUCLI.NE.NPROD(M,J)) GO TO 770	020270
	NONO(I)=NONO(I)+1	020280
	NON=NON+1	020290
	IF(NON.GT.2500) PRINT 904I, NON,NUCL(I)	020300

	A(NON)=COEFF(M,J)	020310
	JT=J	020320
	LOC(NON)=JT	020330
770	CONTINUE	020340
780	CONTINUE	020350
	KD(I)=NONO(I)	020360
	DO 800 J=I0,I1	020370
	M1=KAP(J)+1	020380
	M2=MMAX(J)	020390
	IF(M2.LT.M1) GO TO 890	020400
	DO 790 M=M1,M2	020410
	IF(NUCLI.NE.NPROD(M,J)) GO TO 790	020420
	NONO(I)=NONO(I)+1	020430
	NON=NON+1	020440
	IF(NON.GT.2500) PRINT 9041, NON,NUCL(I)	020450
	A(NON)=COEFF(M,J)	020460
	JT=J	020470
	LOC(NON)=JT	020480
790	CONTINUE	020490
800	CONTINUE	020500
810	CONTINUE	020510
C		020520
C	MATRIX ELEMENTS FOR FISSION PRODUCTS	020530
C		020540
820	IF(IFP.LT.1) RETURN	020560
	IM=ILITE+IACT	020570
	I0=IM+1	
	IF(ITOT.LT.I0) RETURN	
	DO 880 I=I0,ITOT	020590
	NUCLI=NUCL(I)	020600
	I2=MAX0(I0,I-10)	020610
	I3=MIN0(ITOT,I+10)	020620
	DO 840 J=I2,I3	020630
	KMAX=KAP(J)	020640
	IF(KMAX.LT.1) GO TO 840	020650
	DO 830 M=1,KMAX	020660
	IF(NUCLI.NE.NPROD(M,J)) GO TO 830	020670
	NONO(I)=NONO(I)+1	020680
	NON=NON+1	020690
	IF(NON.GT.2500) PRINT 9041, NON,NUCL(I)	020700
	A(NON)=COEFF(M,J)	020710
	JT=J	020720
	LOC(NON)=JT	020730
830	CONTINUE	020740
840	CONTINUE	020750
	KD(I)=NONO(I)	020760
	DO 860 J=I2,I3	020770
	K1=KAP(J)+1	020780
	KMAX=MMAX(J)	020790
	IF(KMAX.LT.K1) GO TO 860	020800
	DO 850 M=K1,KMAX	020810
	IF(NUCLI.NE.NPROD(M,J)) GO TO 850	020820
	NONO(I)=NONO(I)+1	020830
	NON=NON+1	020840
	IF(NON.GT.2500) PRINT 9041, NON,NUCL(I)	020850
	A(NON)=COEFF(M,J)	020860
	JT=J	020870
	LOC(NON)=JT	020880
850	CONTINUE	020890
860	CONTINUE	020900
	IF(IACT.LT.1) GO TO 880	020910
	DO 870 K=1,5	020920

```

IL=I-IM
IF (YIELD(K,IL).LT.ERR) GO TO 870
NON=NON+1
IF (NON.GT.2500) PRINT 9061, NON,NUCL(I)
NONO(I)=NONO(I)+1
KK=NSORS(K)
LOC(NON)=KK
KF=KK-ILITE
A(NON)=YIELD(K,IL)*FISS(KF)
870 CONTINUE
880 CONTINUE
IF (IFP.LE.0) GO TO 900
IF (NLIRE.NE.3) GO TO 890
PRINT 9027, TYLD(2),TYLD(4),TYLD(5)
GO TO 900
890 PRINT 9030, (TYLD(I),I=1,5)
C
C ALL MATRIX ELEMENTS ARE NOW COMPUTED
C BEGIN TRANSIENT SOLUTION
C
C TEMPORARILY WRITE OUT MATRIX ELEMENTS
C
900 IF (IR.EQ.0) RETURN
PRINT 9029
N=0
DO 910 I=1,ITOT
NUM=NONO(I)
IF (NUM.LE.0) GO TO 910
N1=N+NUM
N=N+1
PRINT 9028, I,DIS(I),TOCAP(I),(A(K),LUC(K),K=N,N1)
N=N1
910 CONTINUE
RETURN
920 STOP
C
C FORMATS FORMATS FORMATS FORMATS
C
9001 FORMAT(4F10.5,6I2)
9005 FORMAT(1H1,43X,"NUCLEAR TRANSMUTATION DATA REVISIED ",I2,"/",I2,"021370
1/",I2,"/",I2,"021380
2ERIC STATE (0 OR 1)",I0X,"DLAM = DECAY CONSTANT (1/SEC).",I,"/",I," FB, 021390
3FP, FA, FT = FRACTIONAL DECAY BY BETA, POSITRON (OR ELECTRON CAPTURE)021400
4RE), ALPHA, INTERNAL TRANSITION. FB = 1 - FP - FA - FT",I,"/",I," FB1,021410
5 FP1, FN1, FN2N1 = FRACTION OF BETA, POSITRON, N-GAMMA, N-2N TRAN021420
6SITIONS TO EXCITED STATE OF PRODUCT NUCLIDE",I,"/",I," SIGTH, SIGNG, SIG021430
7F, SIGNA, SIGNP = THERMAL CROSS SECTIONS (BARNS) FOR ABSORPTION, N021440
8-GAMMA, FISSION, N-ALPHA, N-PROTON.") 021450
9006 FORMAT(" SIGNG = SIGTH * (1 - FNA -FNP). SIGNA = SIGTH * FNA. 021460
1SIGNP = SIGTH * FNP. FNA, FNP = FRACTION THERMAL N-ALPHA, N-PROT0021470
2N.",I,"/",I," RITH, RING, RIF, RINA, RINP = RESONANCE INTEGRAL FOR ABSOR021480
3PTION, N-GAMMA, FISSION, N-ALPHA, N-PROTON.",I,"/",I," RING = RITH * (021490
41 - FINA - FINP). RINA = RITH * FINA. RINP = RITH * FINP. FINA, F021500
5INP = FRACTION RESONANCE N-ALPHA, N-PROTON.",I,"/",I," SIGMEV, SIGFF, SI021510
6GN2N, SIGNAF, SIGNPF = FAST CROSS SECTIONS (BARNS) FOR ABSORPTION,021520
7FISSION, N-2N, N-ALPHA, N-PROTON.",I,"/",I," SIGN2N = SIGMEV * (1 - FF021530
8NA - FFNP). SIGNAF = SIGMEV * FFA. SIGNPF = SIGMEV * FFNP. FFN021540
9A, FFNP = FRACTION FAST N-ALPHA, N-P.") 021550
9007 FORMAT(" Y23, Y25, Y24, Y28, Y49 = FISSION YIELD (PERCENT) FROM 23021560
13-U, 235-U, 232-TH, 238-U, 239-PU.",I,"/",I," W = DEAT PER DISINTEGRATIO21570
20N. FG = FRACTION OF HEAT IN GAMMAS OF ENERGY GREATER THAN 0.2 MEU21580
3V.",I,"/",I,"0 EFFECTIVE CROSS SECTIONS FOR A VOLUME AVERAGED THERMAL (L021590

```

4T 0.876 EV) FLUX ARE AS FOLLOWS.",/,," N-GAMMA - SIGNG * THERM021600
5 * RING * RES.",/,," FISSION - SIGF * THERM + RIF * RES + SIGF021610
6F * FAST.",10X,"THERM = 1/V CORRECTION FOR THERMAL SPECTRUM AND IE021620
7MPERATURE.",/,," N-4N - SIGN2N * FAST.",36X,"RES = RATIO 021630
8OF RESONANCE FLUX PER LETARGY UNIT TO THERMAL FLUX.") 021640

9008 FORMAT(" N-ALPHA - SIGNA * THERM + RINA * RES + SIGNAF * FAST021650
1.",7X,"FAST = 1.45 * RATIO OF FAST (GT 1.0 MEV) TO THERMAL FLUX "021660
2/" N-PROTON - SIGNP * THERM + RINP * RES + SIGNPF * FAST.") 021670

9009 FORMAT(1H0,59X,"REFERENCES",/,," HALF LIVES, DECAY SCHEMES, AND 021680
1THERMAL POWER",/,," C M LEPPER, J M HOLLANDER, AND I PERLMAN ""TAB021690
2LE OF ISOTOPES - SIXTH EDITION"" JOHN WILEY AND SONS, INC (1967)""021700
3/",," B S DZHELEPOV AND L K PEKER ""DECAY SCHEMES OF RADIOACTIVE NUC021710
4LEI"" PERGAMON PRESS (1981)""/,," D T GOLDMAN AND JAMES R ROSSER "021720
5"CHART OF THE NUCLIDES"" NINTH EDITION GENERAL ELECTRIC CO (JULY 021730
61966)"/,," E D ARNOLD ""PROGRAM SPECTRA"" APPENDIX A OF ORNL-3576 021740
7(APRIL 1964)"" 021750

9010 FORMAT(" CROSS SECTIONS AND FLUX SPECTRA",/,," B E PRINCE ""NEUT021760
1IRON REACTION RATES IN THE MSRE SPECTRUM"" ORNL-4119, PP 79-83 (JUL021770
2Y 1967)"/,," B E PRINCE ""NEUTRON ENERGY SPECTRA IN MSRE AND MSBR"021780
3" ORNL-4191, PP 50-58 (DEC 1967)"/,," M D GOLDBERG ET AL ""NEUTRON021790
4 CROSS SECTIONS"" BNL-325, SECOND ED, SUPP NO 2 (MAY 1964 - AUG 19021800
566) ALSO EARLIER EDITIONS"/,," H T KERR, UNPUBLISHED ERC COMPILATIO21810
6ON (FEB 1968)"/,," M K DRAKE ""A COMPILATION OF RESONANCE INTEGRAL021820
7S"" NUCLEONICS, VOL 24, NO 8, PP 108-111 (AUG 1966)"/,," BNWL STAF021830
8F ""INVESTIGATION OF N-2N CROSS SECTIONS"" BNWC-98, PP 44-98 (JUNE021840
9 1965)"" 021850

9011 FORMAT(18A4,I3) 021860

9012 FORMAT(1H1,20X,18A4) 021870

9013 FORMAT(" H ALTER AND C E WEBER ""PRODUCTION OF H AND HE IN METALS 021880
1DURING REACTOR IRRADIATION"" J NUCL MATLS, VOL 16, PP 68-73 (1965)021890
2"/,," L L BENNETT ""RECOMMENDED FISSION PRODUCT CHAINS FOR USE IN 021900
3REACTOR EVALUATION STUDIES"" ORNL-TM-1658 (SEPT 1966)"" 021910

9014 FORMAT(" FISSION PRODUCT YIELDS",/,," M E MEEK AND B F RIDER, ""021920
1SUMMARY OF FISSION PRODUCT YIELDS FOR U-235, U-238, PU-239, AND PU021930
2-241 AT THERMAL, FISSION SPECTRUM AND"/" 14 MEV NEUTRON ENERGI021940
3ES"" APED-5398-A (REV. 1, (OCT. 1968)"" S KATCOFF "" FISSION PRODUCT021950
4YIELDS FROM NEUTRON INDUCED FISSION"" NUCLEONICS, VOL 18, NO 11, 021960
5(NOV 1960)"/,," N D DUDEY "" REVIEW OF LOW-MASS ATOM PRODUCTION IN F021970
6AST REACTORS"" ANL-7444, (APRIL 1968) "" 021980

9016 FORMAT(1H0,20X,"LIGHT ELEMENTS, MATERIALS OF CONSTRUCTION, AND ACT022030
1IVATION PRODUCTS ",/,,"0 NUCL DLAM FB1 FP " 000640
2"FB1 FT FA SIGNG FNG1 SIGN2N FN2N1" 000650
3" SIGNA SIGNP Q FG ABUNDANCE") 000660

9018 FORMAT(1H0,10X,"THERM= "F10.5,5X,"RES= "F10.5,5X,"FAST= "F10.5, 022090
1//,1X,"NEUTRON SOURCE= "5(I10,5X),5X,"NLIBE= "I3) 022100

9019 FORMAT(1H0,36X,"FISSION PRODUCTS",/,,"0 NUCL DLAM " 000690
1 "FB1 FP FP1 FT SIGNG FNG1 Y23 " 000700
2 "Y25 Y02 Y28 Y49 Q FG") 000710

9020 FORMAT(1H0,36X,"FISSION PRODUCTS",/,,"0 NUCL DLAM FB1 " 000720
1 "FP FP1 FT SIGNG FNG1 Y27 Y28" 000730
2 " Y49 Q FG") 000740

9021 FORMAT(1H ,A2,I3,A1,1PE10.2,0P4F7.3,1PE10.2,0PF7.3, 000750
1 1P5E10.2,0P2F7.3) 000760

9022 FORMAT(1H ,A2,I3,A1,1PE10.2,0P4F7.3,1PE10.2, 000770
1 0PF7.3,1P3E10.2,0P2F7.3) 000780

9024 FORMAT(1H0,32X, "ACTINIDES AND THEIR DAUGHTERS",// 022220
1" NUCL DLAM FB1 FP FP1 FT" 000800
2" FA FSF E+6 SIGNG FNG21 SIGF" 000810
3" SIGN2N SIGN3N Q FG") 000820

9026 FORMAT(1H ,A2,I3,A1,1PE10.2,0P5F7.3,6PF10.1,1PE10.2, 000830
1 0PF7.3,1P3E10.2,0PF4.3,F6.2) 000840

9027 FORMAT("SUM OF YIELDS OF ALL FISSION PRODUCTS =",15X,1P3E9.2) 022290


```

9028 FORMAT(15,2X,1PE10.3,3X,E10.3,5(2X,E10.3,3X,15)/(30X,5(2X,E10.3, 022300
1 3X,15))) 022310
9029 FORMAT("NON-ZERO MATRIX ELEMENTS AND THEIR LOCATIONS"/ 022320
1" I DIS(I) CAP(I) A(I,J) J A(I,J) 022330
2J A(I,J) J A(I,J) J A(I,J) J ") 022340
9030 FORMAT(63HOSUM OF YIELDS WF ALL FISSION PRODUCTS
1 ,5(E9.2,1X))
9033 FORMAT(1H ,A2,I3,A1,1PE10.2,0PF7.3,1PE10.2,0PF7.3,1PE10.2, 000860
1 0PF7.3,1PE10.2,0P2[7.3,F8.3) 000870
9034 FORMAT(17,F9.3,11,5F5.3,1RE9.2,0P2F5.3,F7.3,2E6.0) 022420
9035 FORMAT(7X,F9.2,3F5.3,F9.2,2F5.3,F9.2,3F5.3, 5X,I1) 022430
9036 FORMAT(20A4) 022440
9037 FORMAT(7X,2F9.2,F5.3,4F9.2,F4.1,F9.2,I1) 000890
9038 FORMAT(7X,2F9.2,F5.3,5F9.2, 4X,I1) 022460
9039 FORMAT("0 WARNING, MUT OF RANGE IN NUDATA, =" I5) 022470
9040 FORMAT( 7X,F9.2,3F8.6,F4.2,2F3.1,F9.2,3F5.3,5X,I1) 022480
9041 FORMAT("0 NON HAS EXCEEDED 2500, EQUAL TO "2I6) 022490
END 022500
*DECK COLLECT 022510
SUBROUTINE COLLECT(TMB,CWASTE,ITOT)
COMMON/EQ/XTEMP(800),XNEW(10,800),B(800),P(800)
DIMENSION CWASTE(800)
IF(TMB.LT.1) RETURN 022550
DO 10 I=1,ITOT 022560
B(I)=CWASTE(I) 022570
10 XTEMP(I)=0.0 022580
CALL DECAY(1,TMB,ITOT) 022590
CALL TERM(TMB,1,ITOT) 022600
CALL EQUIL(1,ITOT)
DO 20 I=1,ITOT 022620
20 CWASTE(I)=XNEW(1,I)/TMB 022630
RETURN 022640
END 022650
*DECK STORAGE 022660
SUBROUTINE STORAGE(TMB,CWASTE,ITOT)
COMMON/EQ/XTEMP(800),XNEW(10,800),B(800),P(800)
DIMENSION CWASTE(ITOT)
IF(TMB.LT.1) RETURN 022710
DELT=TMB 022720
DO 10 I=1,ITOT 022730
10 B(I)=0.0 022740
XTEMP(I)=CWASTE(I) 022750
CALL DECAY(1,DELT,ITOT) 022760
CALL TERM(TMB,1,ITOT) 022770
CALL EQUIL(1,ITOT)
DO 20 I=1,ITOT 022790
20 CWASTE(I)=XNEW(1,I) 022800
RETURN 022810
END 022820
*DECK BLKDAT1 022830
PROGRAM BLOCK DATA 022840
BLOCK DATA BLKDAT1 022850
INTEGERELE(99),STA(2) 022860
COMMON/LABEL/ ELE,STA 022870
DATA ELE/" H","HE","LI","BE","B","C","N","O","F","NE","NA","MO"022880
1G","AL","SI","P","S","CL","AR","K","CA","SC","TI","V","CR","MN"022890
2","FE","CO","NI","CU","ZN","GA","GE","AS","SE","BR","KR","Rb","SR"022910
3,"Y","Zr","NB","MO","Tl","RU","RH","PD","AG","CD","IN","SN","SB"022920
4"TE","I","Xe","CS","Ba","La","Ce","Pr","Nd","Pm","Sm","Eu","Gd","022930
5TB","Dy","Ho","ER","Tm","Yb","Lu","Hf","Ta","W","RE","OS","IR","PO"022940
6T","AU","HG","TL","PB","Bi","Po","AT","RN","Fr","Ra","Ac","Th","Pa"022950
7","U","Np","Pu","Am","Cm","Bk","Cf","Es"/ 022960
DATA STA/" ","M"/ 022970

```

```

END 022980
*DECK HALF 022990
SUBROUTINE HALF(A,I) 023000
C SUBROUTINE HALF CONVERTS HALF-LIFE TO DECAY CONSTANT (1/SEC) 023010
DIMENSION C(9) 023020
DATA C/6.9315E-01,1.1552E-02,1.9254E-04,8.0229E-06,2.1965E-08,0.0,023030
1 2.1965E-11,2.1965E-14,2.1965E-17/ 023040
IF(A.GT.0.0) GO TO 10 023050
IF(I.EQ.6) GO TO 20 023060
A=9.99 023070
RETURN 023080
10 A=C(I)/A 023090
RETURN 023100
20 A=0.0 023110
RETURN 023120
END 023130
*DECK NOAH 023140
SUBROUTINE NOAH(NUCLI,NAME) 023150
C SUBROUTINE NOAH CONVERTS SIX DIGIT IDENTIFIER TO ALPHAMERIC SYMBOL 023160
INTEGERNAME(3) 023170
INTEGERELE(99),STA(2) 023180
COMMON/LABEL/ ELE,STA 023190
IS=MOD(NUCLI,10)+1 023200
NZ =NUCLI/10000 023210
MW=NUCLI/10-NZ *1000 023220
NAME(1)=ELE(NZ) 023230
NAME(2)=MW 023240
NAME(3)=STA(IS) 023250
RETURN 023260
END 023270

```

CHAPTER 4. DATA FOR RADIOACTIVE SOURCE TERM CALCULATIONS FOR
PRESSURIZED WATER REACTORS (PWR's)

This chapter lists the information needed to generate source terms for PWR's. The information is provided by the applicant and is consistent with the contents for the Safety Analysis Report (SAR) and the Environmental Report (ER) of the proposed pressurized water reactor. This information constitutes the basic data required in calculating the releases of radioactive material in liquid and gaseous effluents (the source terms). All data are on a per-reactor basis.

4.1 GENERAL

1. The maximum core thermal power (MWt) evaluated for safety considerations in the SAR.

Note: All the information required in calculating the releases should be adjusted to this power level.

2. The quantity of tritium released in liquid and gaseous effluents (Ci/yr per reactor).

4.2 PRIMARY SYSTEM

1. The total mass (lb) of coolant in the primary system, excluding the pressurizer and primary coolant purification system, at full power.
2. The average primary system letdown rate (gal/min) to the primary coolant purification system.
3. The average flow rate (gal/min) through the primary coolant purification system cation demineralizers.

Note: The letdown rate should include the fraction of time the cation demineralizers are in service.

4. The average shim bleed flow rate (gal/min).

4.3 SECONDARY SYSTEM

1. The number and type of steam generators and the carryover factor used in the evaluation for iodine and nonvolatiles.
2. The total steam flow rate (lb/hr) in the secondary system.
3. The mass of liquid in each steam generator (lb) at full power.
4. The primary-to-secondary system leakage rate (lb/day) used in the evaluation.

5. Description of the steam generator blowdown purification system. The average steam generator blowdown rate (lb/hr) used in the evaluation.
6. The fraction of the steam generator feedwater processed through the condensate demineralizers and the DF's used in the evaluation for the condensate demineralizer system.
7. Condensate demineralizers
 - a. Average flow rate (lb/hr);
 - b. Demineralizer type (deep bed or powdered resin);
 - c. Number and size (ft³) of demineralizers;
 - d. Regeneration frequency;
 - e. Indication whether ultrasonic resin cleaning is used and the waste liquid volume associated with its use; and
 - f. Regenerant volume (gal/event) and activity.

4.4 LIQUID WASTE PROCESSING SYSTEMS

1. For each liquid waste processing system, including the shim bleed, steam generator blowdown, and detergent waste processing systems, provide in tabular form the following information:
 - a. Sources, flow rates (gal/day), and expected activities (fraction of primary coolant activity) for all inputs to each system.
 - b. Holdup times associated with collection, processing, and discharge of all liquid streams.
 - c. Capacities of all tanks (gal) and processing equipment (gal/day) considered in calculating holdup times.
 - d. Decontamination factors for each processing step.
 - e. Fraction of each processing stream expected to be discharged over the life of the plant.
 - f. For demineralizer regeneration, provide time between regenerations, regenerant volumes and activities, treatment of regenerants, and fraction of regenerant discharged. Include parameters used in making these determinations.
 - g. Liquid source term by radionuclide in Ci/yr for normal operation, including anticipated operational occurrences.

2. Provide piping and instrumentation diagrams (P&ID's) and process flow diagrams for the liquid radwaste systems along with all other systems influencing the source term calculations.

4.5 GASEOUS WASTE PROCESSING SYSTEM

For the waste gas processing system, provide the following:

1. The method of stripping gases from the primary coolant, the volumes (ft^3/yr) of gases stripped from the primary coolant, the bases for these volumes.
2. Description of the process used to hold up gases stripped from the primary system during normal operations and reactor shutdown. If pressurized storage tanks are used, include a process flow diagram of the system indicating the capacities (ft^3), number, and design and operating storage pressures for the storage tanks.
3. Describe the normal operation of the system, e.g., number of tanks held in reserve for back-to-back shutdown, fill time for tanks. Indicate the minimum holdup time used in the evaluation and the basis for this number.
4. If HEPA filters are used downstream of the pressurized storage tanks, provide the decontamination factor used in the evaluation.
5. If a charcoal delay system is used, describe this system and indicate the minimum holdup times for each radionuclide considered in the evaluation. List all parameters, including mass of charcoal (lb), flow rate (ft^3/min), operating and dew point temperatures, and the dynamic adsorption coefficients for Xe and Kr used in calculating holdup times.
6. Provide piping and instrumentation diagrams (P&ID's) and process flow diagrams for the gaseous radwaste systems along with other systems influencing the source term calculations.

4.6 VENTILATION AND EXHAUST SYSTEMS

For each building housing systems that contain radioactive materials, the steam generator blowdown system vent exhaust, gaseous waste processing system vent, and the main condenser air removal system, provide the following:

1. Provisions incorporated to reduce radioactivity releases through the ventilation or exhaust systems.
2. Decontamination factors assumed and the bases (include charcoal adsorbers, depth of charcoal beds, HEPA filters, and mechanical devices).
3. Release rates for radioiodine, noble gases, and radioactive particulates (Ci/yr), radioactive particulate size distribution, and the bases.

4. Release point description, including height above grade, height above relative location to adjacent structures, relative temperature difference between gaseous effluents and ambient air, flow rate, velocity, and size and shape of flow orifice.
5. For the containment building, the building free volume (ft³) and a thorough description of the internal recirculation system (if provided), including the recirculation rate, charcoal bed depth, operating time assumed, and mixing efficiency. Indicated the expected purge and venting frequencies and duration and continuous purge rate (if used).

APPENDIX A

LIQUID SOURCE TERM CALCULATIONAL PROCEDURE FOR REGENERANT WASTES FROM DEMINERALIZERS OTHER THAN CONDENSATE DEMINERALIZERS

Often in PWR radwaste systems, demineralizers other than the condensate demineralizers may undergo regeneration, for example, the radwaste demineralizer in the dirty waste system. The PWR-GALE Code can calculate the liquid effluent resulting from periodic regeneration of non-condensate demineralizers by following the procedure outlined below.

1. Input to Cards 1-11 and Cards 27-42

A separate computer run for calculating the regeneration waste effluent from non-condensate demineralizers is required. Cards 1-11 should be filled out as indicated for the specific plant in Sections 1.5.2.1 through 1.5.2.11 of this report. Also Cards 27 through 41 may be left blank (except that values of 1.0 must be entered for Card 28 entries). Card 42 should be left blank.

2. Input to Cards 12-26

The only liquid source term data cards completed (Cards 12-26) should be the three card sets used in the input data for the stream in which the demineralizer to be regenerated is located. The remaining card sets should have a zero entered for the input flow rate.

a. Input Flow and Activity (Card 12, 15, 18, 21 or 24)

The input flow rate and input activity should be the average daily input flow rate and input activity processed through the demineralizer to be regenerated. For example, if the demineralizer to be regenerated is used to process a shim bleed waste stream, the total input flow rate might be 1440 gallons per day.

Note that it is not the flow rate and activity which is due to the regenerant waste which is entered, it is the normal flow rate and activity through the component to be regenerated which is entered.

b. Regeneration Frequency (Card 14, 17, 20, 23 or 26)

Enter the time between regenerations in days as the "collection time." If a regeneration frequency is stated by the applicant, it may be used; otherwise the following frequency may be used:

TABLE A-1

<u>Demineralizer Service</u>	<u>Regeneration Frequency</u>
Primary Coolant Letdown	180 days
Boron Recovery System	180 days
Equipment Drain Wastes	*
Floor Drain Wastes	*
Steam Generator Blowdown	90 days

* Regeneration frequency is calculated by dividing the waste quantity (gallons) by the waste flow rate in gallons per day. The waste quantity is 25000 gal/ft³ times the volume in ft³ of resin for equipment drain waste and 2000 gal/ft³ times the volume in ft³ of resin for floor drain waste. The calculated values of 25,000 and 2,000 gal/ft³ of resin for the waste are based on 12,000 g CaCO₃ ion exchange capacity per ft³ of resin and 5 μmho/cm and 50 μmho/cm average conductivity for equipment and floor drain liquid wastes.

By inputting the normal flow rate and activity in Item a and the regeneration frequency as the collection time in Item b the PWR-GALE Code will accumulate all of the activity processed through the demineralizer during its normal operation and decay the activity as a function of the time over which it was collected.

c. Process Time and Fraction Discharged

Use the same "process time" and "fraction discharged" as indicated for the stream in which the regeneration wastes are processed as indicated in Section 1.5.2.12.4 of this document.

d. Decontamination Factors (Card 13, 16, 19, 22 or 25)

The decontamination factors entered should consider radionuclide removal by the equipment used to process the regenerant wastes using the normal source term procedures of 1.5.2.12.2. In addition, the decontamination factors entered should be used to adjust the source term for the fraction of the activity in the process stream flowing through the demineralizer during normal operation which is not removed by the demineralizer.

e. Sample Case

A demineralizer is used to process shim bleed waste and is to be regenerated. The normal flow rate for the demineralizer is 1440 gpd and the activity is calculated in the PWR-GALE Code. The regenerant wastes will be processed through an evaporator and discharged.

Fill in the Cards 12-14 in the following manner:

Card 12

Spaces 18-41 enter - shim bleed demin regen
Spaces 42-49 enter - 1440.0

Card 13

The wastes will be processed through an evaporator which will provide the following DF's according to Table 1-4 of Section 1.5.2.12.2.

I - 10^2
Cs, Rb - 10^3
Others - 10^3

While in operation, referring to Table 1-4 of Section 1.5.2.12.2 demineralizer DF's are:

I - 10
Cs, Rb - 2
Others - 10

Therefore, for "I" and "Others," 90% of the activity processed through the demineralizer is removed by the resins and no adjustment is needed. Only 50% of the Cs and Rb in the waste stream is removed by the resins, however, so the DF entered for Cs should be adjusted. Thus, the DF's entered on Card 13 would be:

I - 100.0
Cs, Rb - 2000.0
Others - 1000.0

Card 14

Spaces 29-33 "Collection Time." Using the value from Table A-1 of 180 days for the regeneration frequency

Enter 180.0 days in spaces 29-33.

Use the same "Process time" and "fraction discharged" as is indicated for the stream in which the regeneration wastes are processed as indicated in Section 1.5.2.12.4 of this report.

Note: If there is more than one stream for which non-condensate regenerant demineralizer is used, follow the same procedures explained under item A2 for the other stream or streams.

3. Components in Service

- a. If the waste is processed through a component other than a regenerable demineralizer prior to processing by the regenerable demineralizer, the activity in the steam entering the demineralizer will be less than the activity entered as described above. To compensate for this difference, the DF's for the regenerant waste calculation should be adjusted in a manner similar to that described above. The product of the DF's should be used.
- b. If two regenerable demineralizers are used in series, follow the procedure in a above. Adjust the DF for nuclides removed from the waste stream, by using the product of the DF's for two demineralizers in series, i.e., consider the two demineralizers as one larger demineralizer.

4. Use of Computer Calculated Result

Combine the values printed out in the individual liquid source term columns for the system in which the demineralizer is being regenerated (not the adjusted total value) with the normal liquid source term run values. Do not use the adjusted total value from the right hand column since the source term run to which the regenerant waste run will be added has already been adjusted.

REFERENCES

1. American National Standards Source Term Specification, ANSI N237-1976, American National Standards Institute.
2. Regulatory Guide 1.140, "Design, Testing, and Maintenance Criteria for Normal Ventilation Exhaust System Air Filtration and Adsorption Units of Light-Water-Cooled Nuclear Power Plants," March 1978, Office of Standards Development, U. S. Nuclear Regulatory Commission.
3. Letter from H. Till, Electric Power Research Institute, to J. Collins, NRC, March 8, 1978.
4. NUREG/CR-0140, "In-Plant Source Term Measurements at Ft. Calhoun Station, Unit 1," July 1978.
5. NUREG/CR-0715, "In-Plant Source Term Measurements at Zion Station," May, 1979.
6. NUREG/CR-1629, "In-Plant Source Term Measurements at Turkey Point Station - Unit 3 and 4," September, 1980.
7. Electric Power Research Institute Report EPRI NP-939, "Sources of Radioiodine at Pressurized Water Reactors," November, 1978.
8. Westinghouse Electric Corporation, WCAP-8253, "Source Term Data for Westinghouse Pressurized Water Reactors," July, 1975.
9. Letter from T. M. Anderson, Westinghouse Electric Corp. to J. Collins, NRC, April 17, 1979.
10. Combustion Engineering, CENPD-67, Rev. 1, "Iodine Decontamination Factors During PWR Steam Generation and Steam Venting," J. A. Martucci, November, 1974.
11. Combustion Engineering, CENPD-67, Addendum 1P, "Iodine Decontamination Factors During PWR Steam Generation and Steam Venting," November 1974.
12. Westinghouse Electric Corporation, WCAP-8215, "Steam Side Iodine Transport Study at Point Beach Unit No. 1 of Wisconsin Electric Power Company," October 1973.
13. General Electric Company, Figure 5 of Draft Report, "Fission Product Transport Measurements at Brunswick - 2," C. Lin and H. Kenitzer (to be published).
14. NUREG-0017, "Calculation of Releases of Radioactive Materials in Gaseous and Liquid Effluents from Pressurized Water Reactors (PWR-GALE Code)," April 1976.

15. NUREG-0016, Rev. 1, "Calculation of Releases of Radioactive Materials in Gaseous and Liquid Effluents from Boiling Water Reactors (BWR-GALE Code)," January 1979.
16. Pilgrim 2 Preliminary Safety Analysis Report (PSAR) (Docket No. 50-471), Appendix 11E, Amendment 12, November 1974.
17. Letter from K. Seyfrit, Technical Assistance Branch, AEC, Regulatory Operations, to G. Lainas, Containment Systems Branch, AEC, Licensing "PWR Purging and Venting Experience," September 3, 1974.
18. NUREG-75/087, "U. S. Nuclear Regulatory Commission Standard Review Plan," Section 6.2.4, "Containment Isolation System," Rev. 1, November 1978.
19. Rochester Gas and Electric Corporation, "Radioactivity in the Containment Building Atmosphere of Ginna Station," A. R. Piccot, 1971.
20. Nuclear Containment Systems, Incorporated, NCS-1101, "Dynamic Adsorption Coefficient and Its Application for Krypton-Xenon Delay Bed Design," J. L. Kovach, Draft, November 1971.
21. L. R. Michaels and N. R. Horton, "Improved BWR Offgas Systems," 12th Air Cleaning Conference, San Jose, California, August 1972.
22. W. E. Browning et al., "Removal of Fission Product Gases from Reactor Offgas Streams by Adsorption," ORNL Central Files Number 59-6-47, June 11, 1959.
23. H. J. Schroeder et al., "Offgas Facility at the Gundremmingen Nuclear Power Plant," Journal for Nuclear Engineers and Scientists, No. 5, May 1971, pp. 205-213.
24. Letter from Kerndraftwerk Lingen GMBH to Peter Lang, North American Carbon, "Gas Delay System at KWL," December 30, 1970.
25. General Electric Company, NEDO-10751, "Experimental and Operational Confirmation of Offgas System Design Parameters," C. W. Miller, proprietary report, October 1972.
26. Letter from J. L. Kovach, Nuclear Containment Systems, Inc., to V. Benaroya, AEC, "Gas Delay Systems," December 1, 1971.
27. D. P. Siegwarth et al., "Measurement of Dynamic Adsorption Coefficients for Noble Gases on Activated Carbon," 12th Air Cleaning Conference, August 1972.
28. General Electric Co., NEDO-20116, "Experimental and Operational Confirmation of Offgas System Design Parameters," C. W. Miller, October 1973.

29. ANSI/ANS 55.6-1979, "American National Standard Liquid Radioactive Waste Processing System for Light Water Reactor Plants," American National Standards Institute, April 1979.
30. NWT 133-1, "OTSG Secondary Water Chemistry Study," Nuclear Water and Waste Technology, March 1978.
31. NWT 133-2, "OTSG Secondary Water Chemistry Study," Nuclear Water and Waste Technology, June 1978.
32. NUREG/CR-0143, "The Use of Ion Exchange to Treat Radioactive Liquids in Light-Water-Cooled Nuclear Power Plants," August 1978.
33. NUREG/CR-0142, "The Use of Evaporation to Treat Radioactive Liquids in Light-Water-Cooled Nuclear Power Plants," September, 1978.
34. NUREG/CR-0141, "The Use of Filtration to Treat Radioactive Liquids in Light-Water-Cooled Nuclear Power Plants," September 1978.
35. "A Study of Reverse Osmosis Applicability to Light Water Reactor Radwaste Processing," J. Markind, T. Van Tran, November 1978.
36. W. R. Greenway et al., "Treatment of Radioactive Steam Generator Blowdown," 33rd Annual Meeting, International Water Conference of the Engineers' Society of Western Pennsylvania, October 24-26, 1972.
37. C. Kunz et al., "C-14 Gaseous Effluent From Pressurized Water Reactors," CONF-741018, Symposium on Population Exposures, Proceedings of the Eighth Midyear Topical Symposium of Health Physics Society, Knoxville, Tennessee, October 21-24, 1974, pp. 229-234.
38. Westinghouse Electric Corporation, WCAP-7702, "Interim Report on Study of Iodine Transport in PWR Steam Systems," May, 1971.
39. Letter from T. M. Anderson, Westinghouse Electric Corp., to R. Bangart, NRC, November 8, 1979.
40. Letter from J. J. Barton, Metropolitan Edison Co., to J. Collins, NRC, December 4, 1979.
41. U.S.E.P.A., EPA-520/5-76-003, "Radiological Surveillance Studies at the Oyster Creek BWR Nuclear Generating Station," June 1976.
42. "In-Plant Source Term Measurements at Prairie Island Nuclear Generating Station." To be published as a NUREG document.
43. "In-Plant Source Term Measurements at Rancho Seco Station," NUREG/CR-2348, October 1981.

